

# SERVICE PARTS CATALOGUE

## MODEL

952NX - Rops Canopy Double Drum - Tier5 (06/24 - )

*Print Date: 12/2025*





All rights reserved by **CNH Industrial**.

The information contained in this catalogue is intended to be of a general nature only. **CNH Industrial** may at any time and from time to time, for technical or other necessary reasons, modify any of the details or specifications of the product described in this catalogue.

To be sure of getting accurate, detailed, and up-to-date information, an intending buyer should consult his nearest **CNH Industrial** dealer or distributor. The updated version of this Service Parts Catalog is available on ePARTS4.0, accessible through the Dealer Portal.

Single item numeration method used in this catalogue may not be used without written consent from **CNH Industrial**.

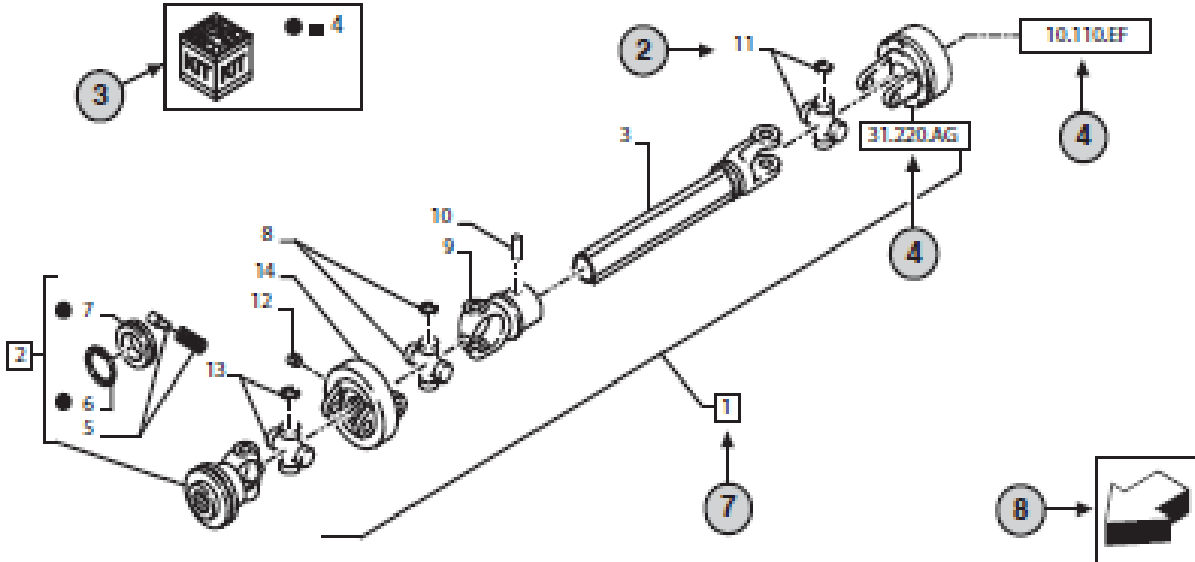
31.220.AD

01

p1

10/2014

VAR - 123782, 789101,987654 - PTO - D650



STANDARD ← 6

23

9

10

31.220.AD

01

p1

10/2014

VAR - 123782, 789101,987654 - PTO - D650

11


12

13

14

REF	FN	PART NUMBER	YR/SN	QTY	DESCRIPTION
1	1	86529340	↑ 20	1	SHAFT PTO, Incl 2 - 11
2	↑ 15	84014007		1	YOKE, Incl 4 -7 ← 7
3	↑ 16	NSS		1	NOT SERVICED SEPARATELY, SHAFT, 350mm, Incl In 1
4		84004292		1	KIT, Seal Kit, Incl 6, 7 ↑ 17
4		{84058743}		1	KIT, Seal Kit, Incl 6, 7
↑ 2		↑ 18		↑ 21	
		↑ 19		↑ 22	
		1 - FOR ITALY ONLY ← 5			

MODELS ← 1

- 1 Model Number and Model Description
- 2 Reference - Figure call-out of the part number.
- 3 Parts supplied in repair kits per symbol reference.
- 4 31.220.AD Part illustrated on the **Page** or in the **Figure** indicated, or calls for **Variations** or **Details**. Indicates components shown in detail elsewhere in the catalogue under the figure number shown.
- 5 Footnote references
- 6 Figure notes
- 7 1 2 Includes item(s) ..... (See Description within partlist.)
- 8 Orientation. (Arrow indicates front of the machine). 
- 9 Figure description.
- 10 General information of the figure.
- 11 Figure title number that aligns with the SRT. Standard Repair Time.
- 12 **Sequence** code within the assembly.
- 13 Page number within the sequence code.
- 14 **Date** of printing or updating of page (month-year).
- 15 **Note** - Relating to the Part Number. There is a key to symbols and abbreviations at the bottom of the text page.
- 16 Non-serviced parts.
- 17 Further description of the part to help confirm identification.
- 18 Not available as service part.
- 19 Part Number.
- 20 To be defined.
- 21 Total **Quantity** of the Part referred to in the page.  
The quantity can be replaced by the following indications:  
**AR** = quantity as requested.
- 22 Part **Description**.
- 23 Variant Codes

---

## TABLE OF CONTENTS

---

00.000.00 [01]	PICTORIAL INDEX - MAIN SECTIONS
05.000.00 [01]	SECTION INDEX - SERVICE & MAINTENANCE
05.100.01 [01]	INITIAL STOCKING LIST (LIST A)
05.100.01 [02]	INITIAL STOCKING LIST (LIST A)
05.100.02 [01]	INITIAL STOCKING LIST (LIST B)
05.100.02 [02]	INITIAL STOCKING LIST (LIST B)
10.000.00 [01]	SECTION INDEX - ENGINE
10.001.AB [01]	ENGINE, CYLINDER BLOCK, VC
10.001.AB [02]	CYLINDER BLOCK, VC
10.001.AD [01]	ENGINE, VC 55KW (F28)
10.001.AD [02]	ENGINE, F28 55KW VC
10.001.AD [03]	ENGINE, ASSY, F28 - VC
10.001.AD [04]	ALTERNATOR, SUPPORT
10.001.AD [05]	ALTERNATOR, RELATED PARTS
10.001.AD [06]	ENGINE OVERHAUL KIT
10.001.AK [01]	ENGINE MOUNT, 55KW VC
10.101.AA [01]	CYLINDER, CYLINDER HEAD, ASSY
10.101.AB [01]	BREATHER, CYLINDER, HEAD, COVER
10.102.AK [01]	FRONT COVER AND CASE COVER
10.102.BC [01]	CRANKSHAFT, ASSY, MAIN, BEARING
10.103.AH [01]	FLYWHEEL, ASSY, VC
10.103.AK [01]	FLYWHEEL, HOUSING, VC
10.105.AB [01]	CONNECTING ROD, PISTON ASSY
10.106.AA [01]	CAMSHAFT
10.106.AO [01]	ROCKER ARM
10.202.AH [01]	AIR CLEANER
10.202.AK [01]	AIR INTAKE MOUNTING
10.206.AG [01]	FUEL FILTER, SUPPORT
10.210.AF [01]	LINE, FUEL PIPE
10.216.AA [01]	FUEL TANK
10.216.BA [01]	FUEL LINES
10.218.AD [01]	FILTER, FUEL
10.218.AF [01]	FUEL INJECTOR
10.218.AI [01]	FUEL INJECTION PUMP, PIPE
10.250.AC [01]	TURBOCHARGER, PIPE
10.254.AC [01]	EXHAUST SYSTEM
10.254.AC [02]	EXHAUST MANIFOLD, GASKET
10.254.AM [01]	INTAKE MANIFOLD & VALVE HOUSING
10.254.AM [02]	GASKET, ELBOW, INTAKE
10.254.AM [03]	POWER TAKEOFF & PTO COVER
10.254.AM [04]	POWER TAKE-OFF (PTO) ADAPTOR
10.304.AC [01]	PLATE, OIL, SUMP
10.304.AC [02]	SUMP, OIL
10.304.AL [01]	LUBE PUMP, OIL & SUCTION STRAINER
10.304.AS [01]	PRESSURE VALVE & OIL DIPSTICK
10.310.AD [01]	INTERCOOLER, OIL FILTER, VC
10.400.BB [01]	VAR - 449674, WATER PUMP
10.400.BB [02]	WATER PUMP, COMPLETE
10.400.BE [01]	RADIATOR, ASSY, 952NX F28

---

## TABLE OF CONTENTS

---

10.400.BF [01]	RADIATOR, MOUNTING ASSY, 952NX F28
10.400.BF [02]	RADIATOR, MOUNTING ASSY, 952NX F28
10.408.AC [01]	HEAT EXCHANGER, VALVE, EGR
10.414.AC [01]	FAN, ENGINE, SUB ASSY 55KW
10.414.AC [02]	POWER TAKEOFF & PTO COVER
10.414.AD [01]	FAN, PULLEY, BELT
10.414.AO [01]	DRIVING PULLEY
29.000.00 [01]	SECTION INDEX - HYDROSTATIC DRIVE
29.218.AH [01]	HYDRAULIC MOTOR, PISTON, DRUM, DRIVE, AXIAL
29.218.AH [02]	GEARBOX, DRUM, DRIVE
33.000.00 [01]	SECTION INDEX - BRAKES & CONTROLS
33.202.AP [01]	BRAKE, CKT
33.202.BE [01]	VAR - B547039, SOLENOID VALVE
35.000.00 [01]	SECTION INDEX - HYDRAULIC SYSTEMS
35.104.AA [01]	PUMP, TANDEM MOUNTING
35.300.AQ [01]	TANK, HYDRAULIC
35.300.AQ [02]	OIL COOLER, CKT
35.300.BC [01]	LEAK CKT
35.353.AE [01]	TRAVEL CKT
35.353.AE [02]	TRAVEL CKT
35.995.AA [01]	KIT, CYLINDER, BLOCK, PUMP, TRAVEL
35.995.AA [02]	HYDRAULIC, PUMP, TRAVEL
35.995.AA [03]	HYDRAULIC, PUMP, TRAVEL
35.995.AA [04]	HYDRAULIC, PUMP, TRAVEL
35.995.AA [05]	HYDRAULIC, PUMP, TRAVEL
35.995.AA [06]	HYDRAULIC, PUMP, TRAVEL
35.995.AA [07]	HYDRAULIC, PUMP, VIBRATION
35.995.AA [08]	HYDRAULIC, PUMP, VIBRATION
35.995.AA [09]	HYDRAULIC, PUMP, VIBRATION
35.995.AA [10]	MOTOR, HYD, VIBRATION
35.995.AB [01]	VIBRATION CKT
35.995.AB [02]	VIBRATION CKT
35.995.AB [03]	BLOCK, VIBRATION
39.000.00 [01]	SECTION INDEX - FRAMES AND BALLASTING
39.100.AN [01]	ARTICULATION, JOINT, ARTICULATION JOINT
39.100.AS [01]	ENGINE, FRAME
39.100.AS [02]	ENGINE, FRAME
39.100.AS [03]	ENGINE, FRAME
39.100.AS [04]	ENGINE, FRAME
39.500.AM [01]	SCRAPER, ASSEMBLY
39.500.AN [01]	BEARING ASSY, FRONT, REAR
39.500.AN [02]	ROLLER, DRUM, ASSY
39.500.AN [03]	ROLLER, DRUM, ASSY
39.500.AN [04]	ROLLER, FRAME, ASSY
39.500.AQ [01]	TANK, ASSY, WATER
39.500.AQ [02]	TANK, ASSY, WATER
39.500.AQ [03]	WATER SPRINKLER
39.500.AQ [04]	WATER SPRINKLER
39.500.AQ [05]	WATER SPRINKLING SYSTEM

---

## TABLE OF CONTENTS

---

39.500.AQ [06]	VAR - B547039, VALVE, SOLENOID, (3/8IN BSP)
39.500.AQ [07]	FILTER, WATER TRANSPARENT
41.000.00 [01]	SECTION INDEX - STEERING
41.200.AO [01]	STEERING, CKT
41.200.AO [02]	STEERING, CKT
41.216.AN [01]	CYLINDER, STEERING
55.000.00 [01]	SECTION INDEX - ELECTRICAL SYSTEMS
55.015.AA [01]	ELECTRONIC CONTROL UNIT, (ECU)
55.015.AB [01]	ELECTRICAL, ENGINE, HARNESS
55.015.AB [02]	WIRING HARNESS
55.050.BQ [01]	CONNECTION PIPE & SENSORS
55.100.AX [01]	HARNESS, FRONT, SINGLE
55.100.AX [02]	ELECTRICAL, FRONT CHASSIS
55.100.AX [03]	ELECTRICAL REAR, CHASSIS
55.202.AD [01]	HEATER, PLUG, CABLE, HEATER PLUG & CABLE
55.202.AY [01]	THERMOSTART, VALVE, BODY
55.302.AK [01]	BATTERY, MOUNTING, ASSY
55.404.BS [03]	HARNESS, WORK LAMP, FRONT-SIDE-REAR
55.404.BS [04]	HARNESS AND WORK LAMP, REAR
55.510.BQ [01]	ELECTRICAL,FRONT CONSOLE
55.510.BQ [02]	ELECTRICAL, FRONT CONSOLE
55.991.AA [01]	VAR - 786819, T5 TELEMATICS AMEA
88.000.00 [01]	SECTION INDEX - ACCESSORIES
88.100.39 [01]	VAR - 463337, KIT, FOC - 952NX
88.100.AH [01]	TOOLS
90.000.00 [01]	SECTION INDEX - PLATFORM, CAB, BODYWORK & DECALS
90.108.AC [01]	DECAL, ASSY
90.114.BH [01]	ROOF, ASSEMBLY
90.118.CB [01]	PLATFORM, OPERATOR
90.118.CB [02]	PLATFORM, OPERATOR
90.118.CB [03]	PLATFORM, CANOPY, ASSY
90.120.AD [01]	SEAT, OPERATOR, ROTATING SYSTEM
90.120.AD [02]	SEAT, OPERATOR, ROTATING SYSTEM
90.120.AD [03]	SEAT, OPERATOR
90.120.AD [04]	LOCK, SEAT, ASSEMBLY
90.160.CD [01]	LEVER, CABLE, ASSY, FNR AND
90.160.CD [02]	CONSOLE, GUARD, ASSY, VANDAL

---

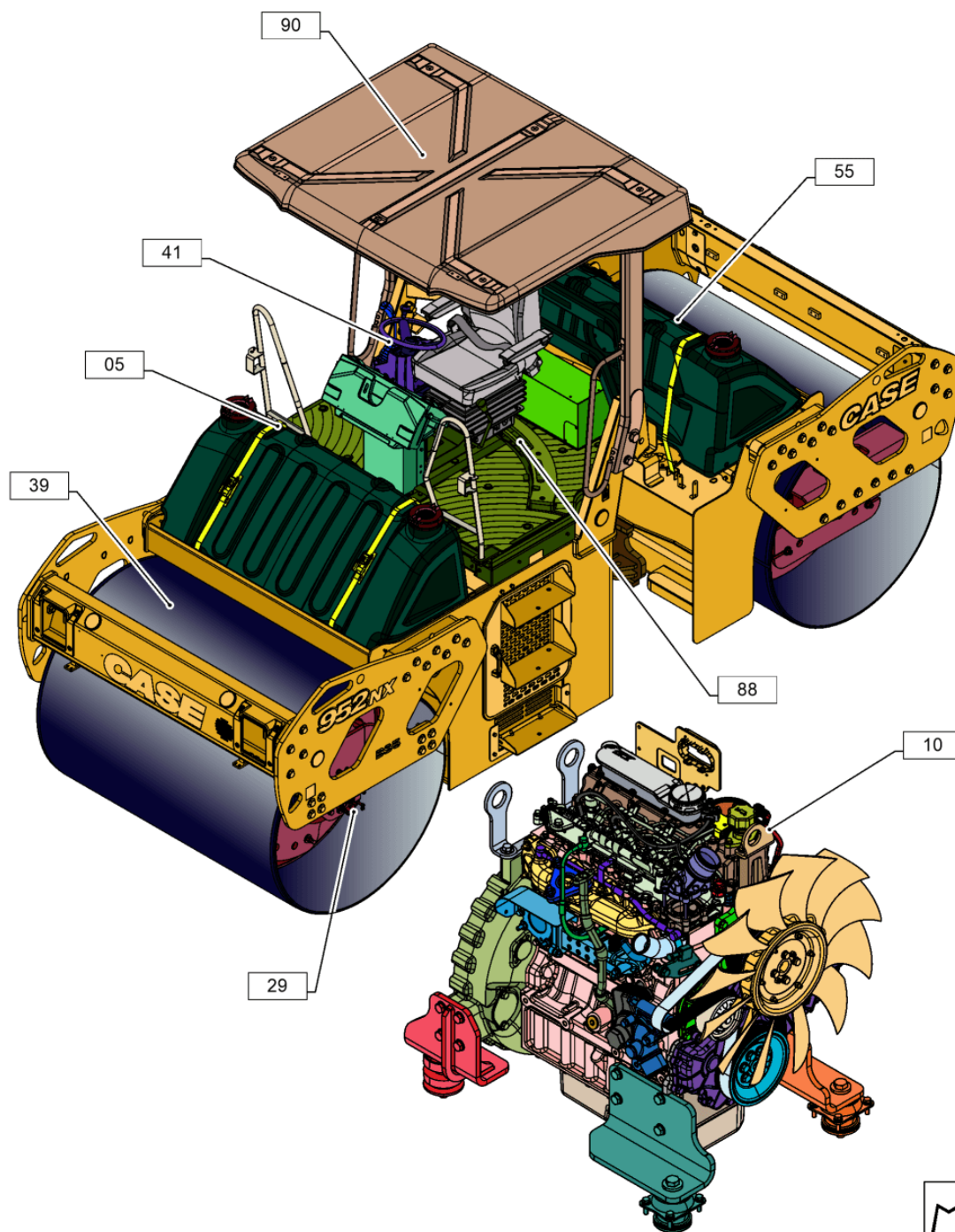
# SECTION INDEX

## GENERAL & PICTORIAL INDEX

---

00.000.00 [01] PICTORIAL INDEX - MAIN SECTIONS

PICTORIAL INDEX - MAIN SECTIONS



**PICTORIAL INDEX - MAIN SECTIONS**

<b>REF</b>	<b>FIGURE NUMBER</b>	<b>FIGURE NAME</b>
05	05.000.00[01]	SECTION INDEX - SERVICE & MAINTENANCE
10	10.000.00[01]	SECTION INDEX - ENGINE
29	29.000.00[01]	SECTION INDEX - HYDROSTATIC DRIVE
39	39.000.00[01]	SECTION INDEX - FRAMES AND BALLASTING
41	41.000.00[01]	SECTION INDEX - STEERING
55	55.000.00[01]	SECTION INDEX - ELECTRICAL SYSTEMS
88	88.000.00[01]	SECTION INDEX - ACCESSORIES
90	90.000.00[01]	SECTION INDEX - PLATFORM, CAB, BODYWORK & DECALS

---

## **SECTION INDEX**

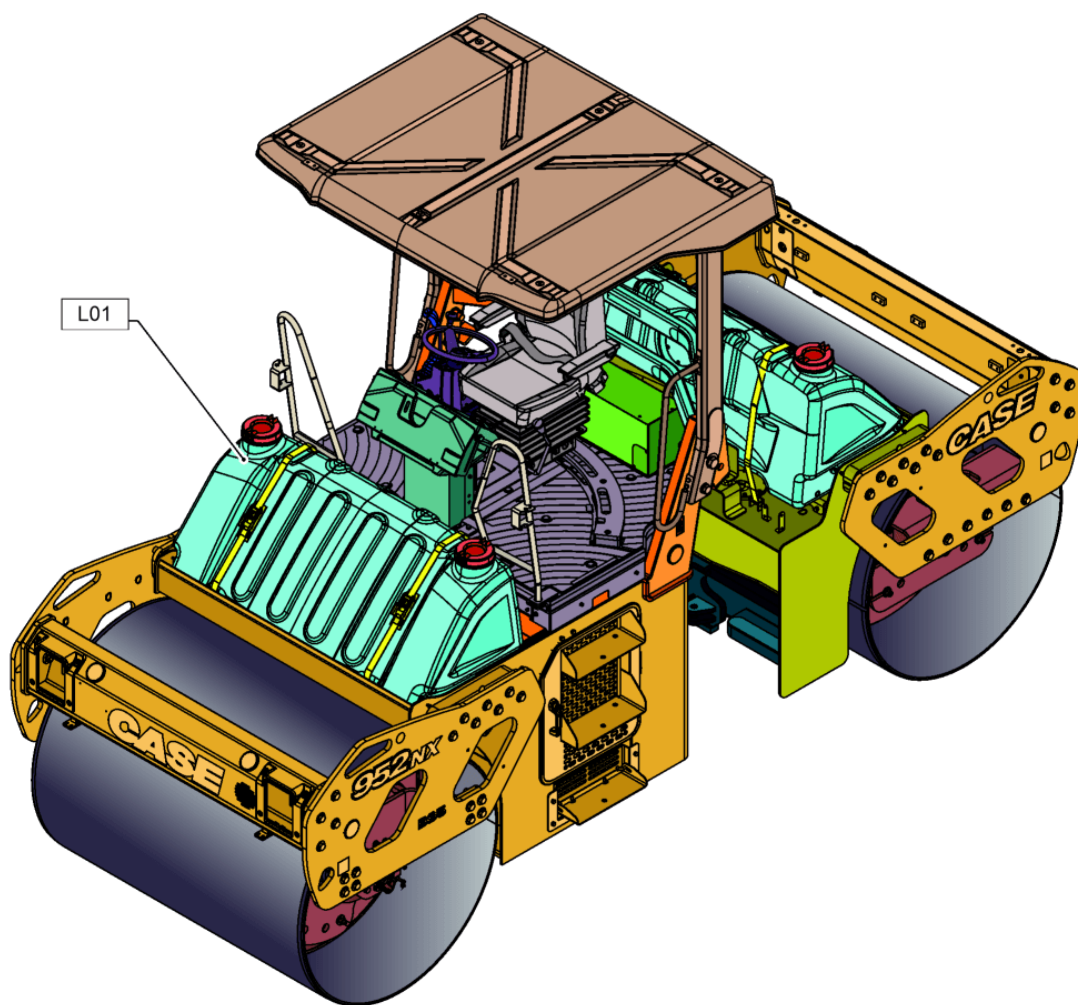
### **SERVICE & MAINTENANCE**

---

05.000.00 [01]	SECTION INDEX - SERVICE & MAINTENANCE
05.100.01 [01]	INITIAL STOCKING LIST (LIST A)
05.100.01 [02]	INITIAL STOCKING LIST (LIST A)
05.100.02 [01]	INITIAL STOCKING LIST (LIST B)
05.100.02 [02]	INITIAL STOCKING LIST (LIST B)



SECTION INDEX - SERVICE & MAINTENANCE



**05.000.00 [01]**

p1

**SECTION INDEX - SERVICE & MAINTENANCE**

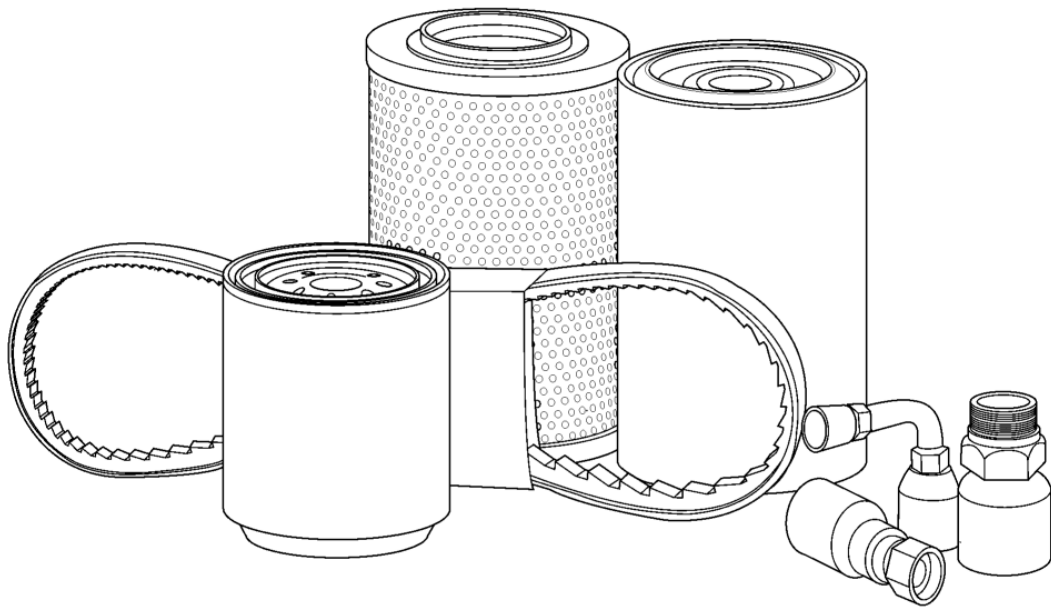
<b>REF</b>	<b>QTY</b>	<b>USAGE</b>
L01	-	

<b>REF</b>	<b>FIGURE NUMBER</b>	<b>FIGURE NAME</b>
L01	05.100.01[01]	INITIAL STOCKING LIST (LIST A)
L01	05.100.01[02]	INITIAL STOCKING LIST (LIST A)
L01	05.100.02[01]	INITIAL STOCKING LIST (LIST B)
L01	05.100.02[02]	INITIAL STOCKING LIST (LIST B)

**05.100.01 [01]**

p1

**INITIAL STOCKING LIST (LIST A)**



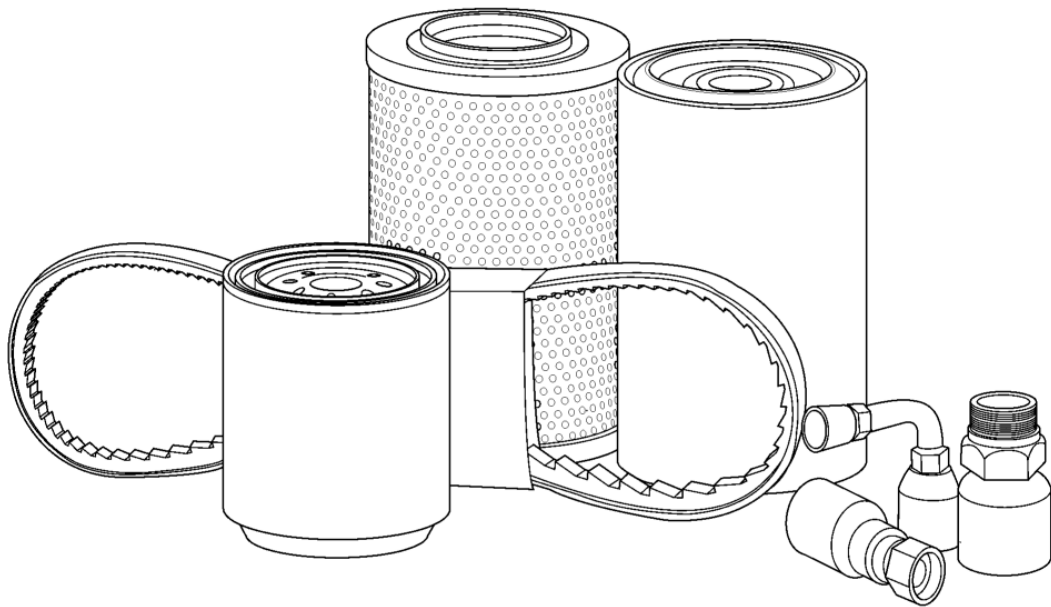
## INITIAL STOCKING LIST (LIST A)

REF	PN	QTY	DESCRIPTION	USAGE
1	48017649	1	KIT	Seal
2	48017657	1	KIT	Valve Seal
3	48063306	1	FILTER STRAINER	Strainer, Filter
4	48017187	1	KIT	Kit, Overhaul Seal
5	92041648	1	ELEMENT	Filter, Assembly Safety
6	92041646	1	ELEMENT	Filter, Assembly Primary
7	84539252	1	SENSOR M12 x 1.5, -40 to +130 deg C, 2 wire	Air Temperature
8	92267363	1	FAN	Assembly 490 Dia.
9	92038135	1	FUEL FILTER	
10	92070036	1	ELEMENT	Filter
11	51578905	1	SCRAPER BLADE	Plate, Polymer
12	51492236	1	SENSOR	Water Level
13	47696582	1	SEAL KIT	
14	51626315	1	SEAL KIT	
15	51626316	1	SEAL KIT	
16	92035820	1	SENSOR	Dpf Delta Pressure
17	47602266	1	SENSOR TEMP, EGT, 240mm Cable L	Temp, Egt, 35Mm Closed, Deutsch
18	47478868	1	TEMPERATURE SENDER 35mm, Closed	Egt, 35Mm Closed
19	48095184	1	IGNITION KEY	
20	5802987260	1	GASKET	Ce Application
21	5802883816	2	GASKET	Ag Application
22	5803117328	1	CYLINDER HEAD GASKET	Ticknes
23	5803117329	1	CYLINDER HEAD GASKET	Ticknes
24	5802883802	1	GASKET	Rocket Cover - Gamma
25	5802884244	3	RUBBER SEAL	Gasket - Intake Manifold Gaske
26	5802884245	1	RUBBER SEAL	Gasket - Intake Manifold Gaske
27	5802884246	1	GASKET	Intake Cover Gasket
28	5802105127	1	VALVE BODY THROTTLE VALVE BODY	
29	5802981069	1	VALVE	Flow Rate Control - (Di
30	5802885109	1	SEAL	Gasket-Revolving Shaft - Anter
31	504014232	1	OIL SEAL	Gasket-Revolving Shaft
32	5803186197	1	CABLE	On Engine - Wiring Harne

**05.100.01 [01]**

p2

**INITIAL STOCKING LIST (LIST A)**



**05.100.01 [01]**

p2

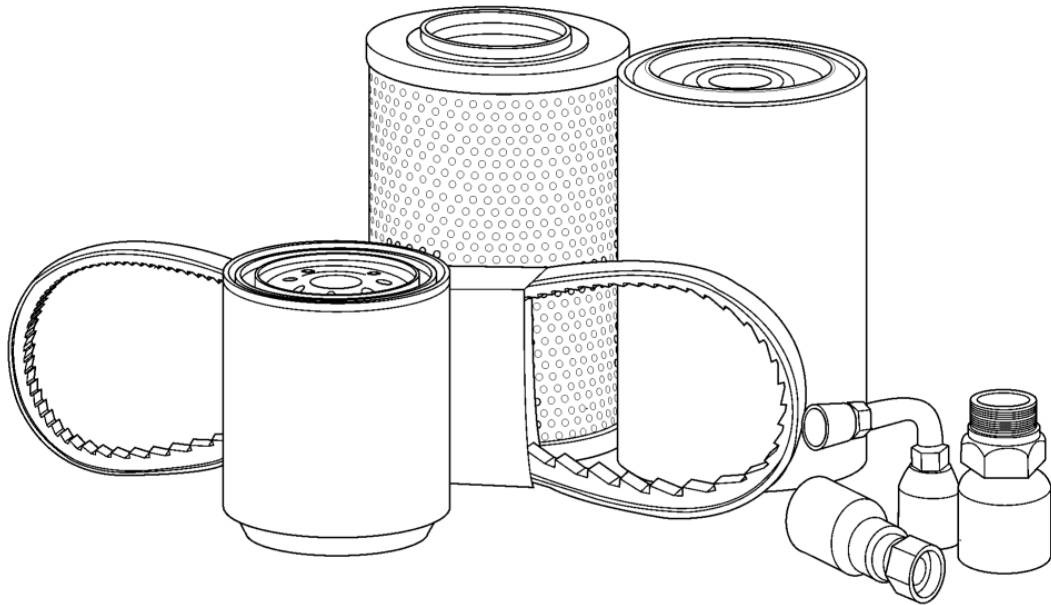
**INITIAL STOCKING LIST (LIST A)**

<b>REF</b>	<b>PN</b>	<b>QTY</b>	<b>DESCRIPTION</b>	<b>USAGE</b>
33	5802885609	1	FUEL TUBE	Nozzle Exhaust Pipe - Ret
34	5802885212	1	FUEL TUBE	Feed Line Assembly - Fuel
35	5802885215	1	FUEL TUBE	Delivery Pipefrom Hp To F
36	5802885216	1	FUEL TUBE	Return Pipe Comp

**05.100.01 [02]**

p1

**INITIAL STOCKING LIST (LIST A)**



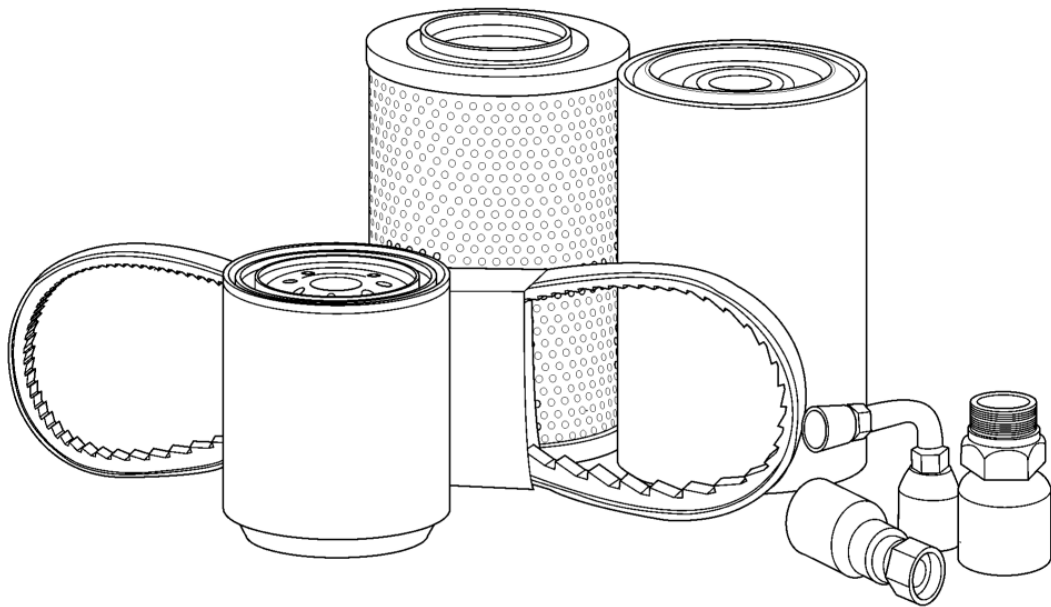
## INITIAL STOCKING LIST (LIST A)

REF	PN	QTY	DESCRIPTION	USAGE
1	5803014776	1	FUEL INJECTION PUMP	High Pressure - 498 Mm3/R
2	5802885618	1	RUBBER SEAL	Gasket - Gamma
3	5802949372	1	ACCUMULATOR	Accumulator
4	5802885624	1	FUEL TUBE	Delivery Pipe - Complete - Hp
5	5803025427	1	CARTRIDGE, FUEL FILT	Main
6	5802885741	1	GASKET	Turbocharger
7	98474311	1	SEALING WASHER	Screw Collar - Per Bocche
8	16992511	1	PLUG	Male Threaded - M18X1,5
9	5802431043	1	ENGINE OIL FILTER	
10	5802455380	1	SEALING RING	Gasket-Rectangular Section
11	5802994279	1	SUPPORT	Fan - Complete - 280Mm
12	5803252890	1	BELT	Poly-V - Fan @280Mm Ratio
13	5802765899	2	GASKET	
14	5802953247	4	GLOW PLUG	Hv Hidr
15	5802886283	1	ELECTRIC CABLE	Briglia Candelette - Gamma
16	92066441	1	ALTERNATOR	12V 120A
17	500382599	1	SENSOR WATER/FUEL/OIL TEMPERATURE SENSOR	
18	5801600537	1	SENSOR camshaft sensor	
19	4897242	1	SENSOR SPEED	
20	504369148	1	SENSOR	
21	504084983	1	PRESSURE SWITCH	Oil. Sensor
22	5801382522	1	SENSOR Pressure sensor F.S. 550 kPa	
23	5801464247	1	SENSOR	Thermosensor - From -40 To +30
24	17290281	1	O-RING 63.09mm ID x 3.53mm Thk, FKM	Oil Cooler Plug
25	84127703	1	FUSE .	
26	5802885299	1	O-RING	
27	5802889340	1	SENSOR	
28	5802952577	1	SENSOR	
29	42574911	1	CONTROL VALVE	
30	8097979	1	O-RING	
31	5802245368	1	ECU	
32	5803016948	1	WIRE HARNESS	
33	84153830	1	FUSE 5A, Mini, Beige	

**05.100.01 [02]**

p2

**INITIAL STOCKING LIST (LIST A)**



**05.100.01 [02]**

p2

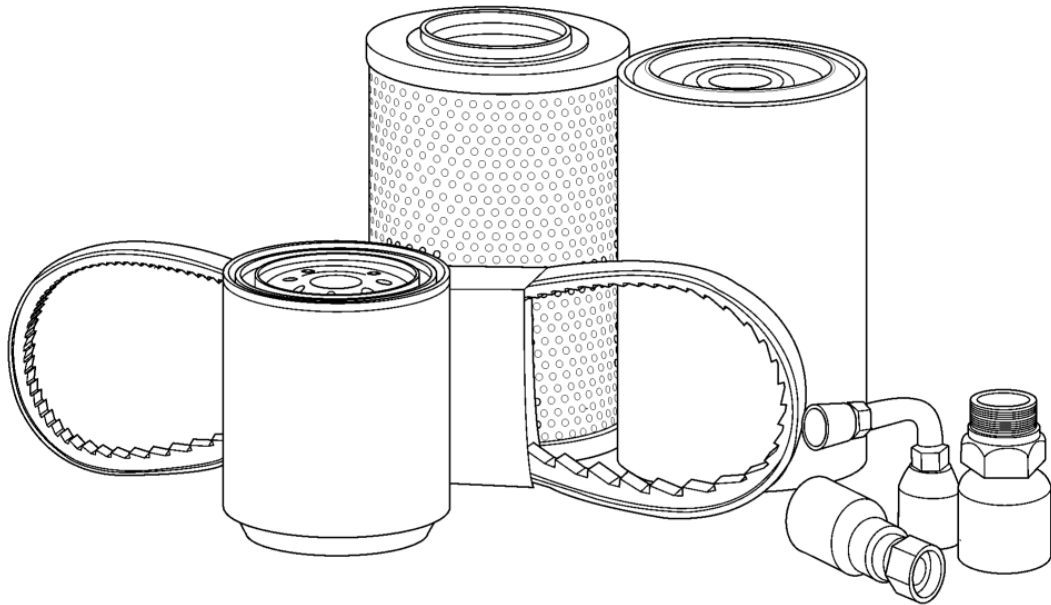
**INITIAL STOCKING LIST (LIST A)**

REF	PN	QTY	DESCRIPTION	USAGE
34	84127702	1	FUSE 10A, Mini, Red	

**05.100.02 [01]**

p1

**INITIAL STOCKING LIST (LIST B)**



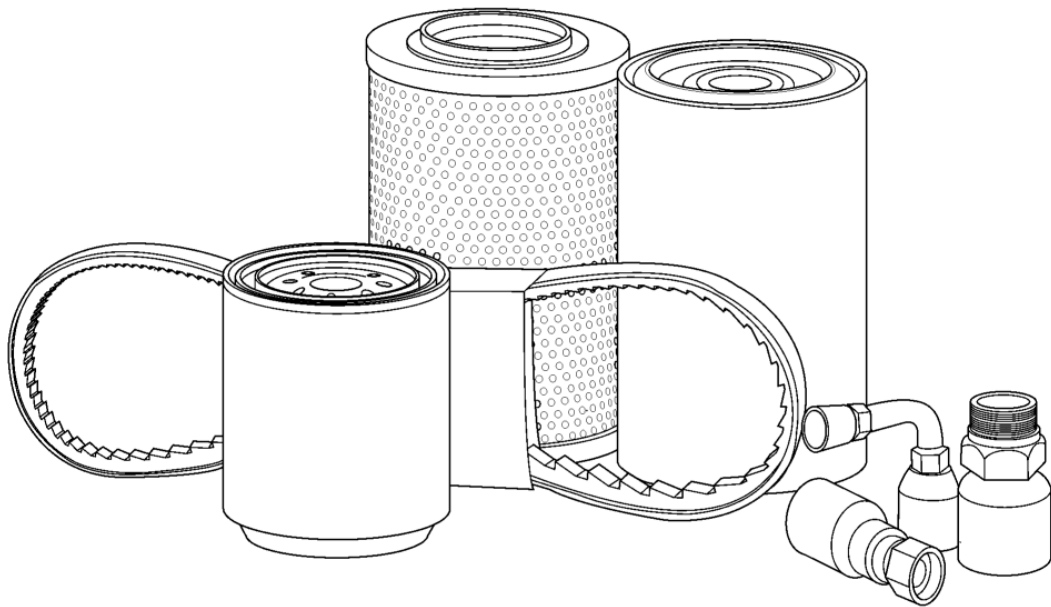
## INITIAL STOCKING LIST (LIST B)

REF	PN	QTY	DESCRIPTION	USAGE
1	47893318	1	WATER PUMP	Sprinkler
2	91893888	1	WIRE HARNESS	Front Side
3	51540309	1	HYDRAULIC PUMP	Travel
4	90381243	1	TOGGLE SWITCH	Neutral Start
5	47826025	1	HYDRAULIC PUMP	Vibration
6	51504669	1	FILLER CAP	Fuel
7	47556268	1	HYDROSTATIC MOTOR	Axial Piston ,Drum Drive
8	51435084	1	PUSH BUTTON SWITCH	Knob Assy
9	47724350	1	MECHANICAL SWITCH	Backup Alarm
10	87409316	1	ROTARY SWITCH Master Cut-off	Master Disconnect
11	91893906	1	WIRE HARNESS	Rear Side
12	BU4050048	1	WORK LAMP TAIL LIGHT RH	Right/Left
13	BU4050049	1	WORK LAMP TAIL LIGHT LH	Right/Left
14	47799678	1	SENSOR	Fuel Level
15	92045458	1	WIRE HARNESS	Fnr Lever
20	92044892	1	HOSE	Radiator To Deaeration Tank
22	92044889	1	HOSE	Engine To Tee
25	92044886	1	HOSE	Deaeration, Overflow
27	92662143	1	WIRE HARNESS	Engine ECU
28	91893890	1	WIRE HARNESS	Engine Hyd.
29	92662384	1	WIRE HARNESS	Engine Interface, Use after m/c cut-off date 26-Dec-2024
29	91893893	1	WIRE HARNESS	Engine Interface, Use before m/c cut-off date 26-Dec-2024
30	91893900	1	WIRE HARNESS	Alternator Charging
31	92663122	1	WIRE HARNESS	Main Front
32	91882228	1	WIRE HARNESS	Hand Throttle
33	47726901	1	ROCKER SWITCH	High Speed
34	47726892	1	ROCKER SWITCH	Sprinkler
35	51573502	1	ROCKER SWITCH	Up-Down
36	47726906	1	ROCKER SWITCH	Master Lamp
37	51573504	1	ROCKER SWITCH	Park Secondary
38	47726905	1	ROCKER SWITCH	Frequency Selection
39	51573505	1	ROCKER SWITCH	Auto Idle
40	47726903	1	ROCKER SWITCH	Turn Indicator

**05.100.02 [02]**

p1

**INITIAL STOCKING LIST (LIST B)**



## INITIAL STOCKING LIST (LIST B)

REF	PN	QTY	DESCRIPTION	USAGE
1	47726904	1	ROCKER SWITCH	Drum Selection
2	91821915	1	ROCKER SWITCH	Dual Selection Throttle
3	47726863	1	ROCKER SWITCH	High/Low Beam
4	47726876	1	ROCKER SWITCH	Pcu Bypass
6	92147024	1	ROCKER SWITCH	Dpf Regen With Oil Reset
7	48082291	1	IGNITION SWITCH	
9	82826807	1	SWITCH	Push Button, Horn
10	47721422	1	ROCKER SWITCH	Hazard
11	47719592	1	ROCKER SWITCH	Side Work Light
12	47721400	1	LIGHT SWITCH	Rocker, Front Worklight
15	47838631	1	WIRE HARNESS	Canopy Rear
16	47721404	1	ROCKER SWITCH	Switch, Rear Worklight
17	47863422	1	WATER PUMP	Refil
18	47765998	1	ROCKER SWITCH	Tank Refill
19	47838627	1	WIRE HARNESS	Refill Pump
20	5802883735	1	STD INLET VALVE	D=8Mm
21	5802883738	1	STD EXHAUST VALVE	D=8Mm
22	5802883745	1	VALVE SPRING	In
23	5802883753	1	CUP	Upper Cap Of Valve Springs - G
24	5803133786	1	PULLEY	Main
25	5802884719	1	PISTON	
26	5802884745	1	PISTON PIN	D=34Mm
27	5802884747	1	CIRCLIP	Ring-Split - Gamma
28	5802884751	1	SEALING RING	1.Cava
29	5802884768	1	RING	Split - 2.Cava
30	5802884806	1	RING	Scrapper - 3.Cava
31	5802884812	1	CONNECTING ROD	Complete - Ga
32	5802884819	1	BEARING CONE	Rod Half - Rod Half Be
33	5802884821	1	BEARING CONE	Rod Half - Rod Half Be
34	5802926889	1	INJECTOR, EMISSIONS	
35	5802885882	1	TURBOCHARGER	
36	5802886134	1	THERMOSTAT	Complete With Gas
37	5802886181	1	WATER PUMP	Complete - Compac
38	5802884704	1	PULLEY	Fan Driven - Fan Ratio
39	5803303811	1	DIPSTICK	
40		1		

---

# SECTION INDEX

## ENGINE

---

10.000.00 [01]	SECTION INDEX - ENGINE
10.001.AB [01]	ENGINE, CYLINDER BLOCK, VC
10.001.AB [02]	CYLINDER BLOCK, VC
10.001.AD [01]	ENGINE, VC 55KW (F28)
10.001.AD [02]	ENGINE, F28 55KW VC
10.001.AD [03]	ENGINE, ASSY, F28 - VC
10.001.AD [04]	ALTERNATOR, SUPPORT
10.001.AD [05]	ALTERNATOR, RELATED PARTS
10.001.AD [06]	ENGINE OVERHAUL KIT
10.001.AK [01]	ENGINE MOUNT, 55KW VC
10.101.AA [01]	CYLINDER, CYLINDER HEAD, ASSY
10.101.AB [01]	BREATHER, CYLINDER, HEAD, COVER
10.102.AK [01]	FRONT COVER AND CASE COVER
10.102.BC [01]	CRANKSHAFT, ASSY, MAIN, BEARING
10.103.AH [01]	FLYWHEEL, ASSY, VC
10.103.AK [01]	FLYWHEEL, HOUSING, VC
10.105.AB [01]	CONNECTING ROD, PISTON ASSY
10.106.AA [01]	CAMSHAFT
10.106.AO [01]	ROCKER ARM
10.202.AH [01]	AIR CLEANER
10.202.AK [01]	AIR INTAKE MOUNTING
10.206.AG [01]	FUEL FILTER, SUPPORT
10.210.AF [01]	LINE, FUEL PIPE
10.216.AA [01]	FUEL TANK
10.216.BA [01]	FUEL LINES
10.218.AD [01]	FILTER, FUEL
10.218.AF [01]	FUEL INJECTOR
10.218.AI [01]	FUEL INJECTION PUMP, PIPE
10.250.AC [01]	TURBOCHARGER, PIPE
10.254.AC [01]	EXHAUST SYSTEM
10.254.AC [02]	EXHAUST MANIFOLD, GASKET
10.254.AM [01]	INTAKE MANIFOLD & VALVE HOUSING
10.254.AM [02]	GASKET, ELBOW, INTAKE
10.254.AM [03]	POWER TAKEOFF & PTO COVER
10.254.AM [04]	POWER TAKE-OFF (PTO) ADAPTOR
10.304.AC [01]	PLATE, OIL, SUMP
10.304.AC [02]	SUMP, OIL
10.304.AL [01]	LUBE PUMP, OIL & SUCTION STRAINER
10.304.AS [01]	PRESSURE VALVE & OIL DIPSTICK
10.310.AD [01]	INTERCOOLER, OIL FILTER, VC
10.400.BB [01]	VAR - 449674, WATER PUMP
10.400.BB [02]	WATER PUMP, COMPLETE
10.400.BE [01]	RADIATOR, ASSY, 952NX F28
10.400.BF [01]	RADIATOR, MOUNTING ASSY, 952NX F28
10.400.BF [02]	RADIATOR, MOUNTING ASSY, 952NX F28
10.408.AC [01]	HEAT EXCHANGER, VALVE, EGR
10.414.AC [01]	FAN, ENGINE, SUB ASSY 55KW
10.414.AC [02]	POWER TAKEOFF & PTO COVER

---

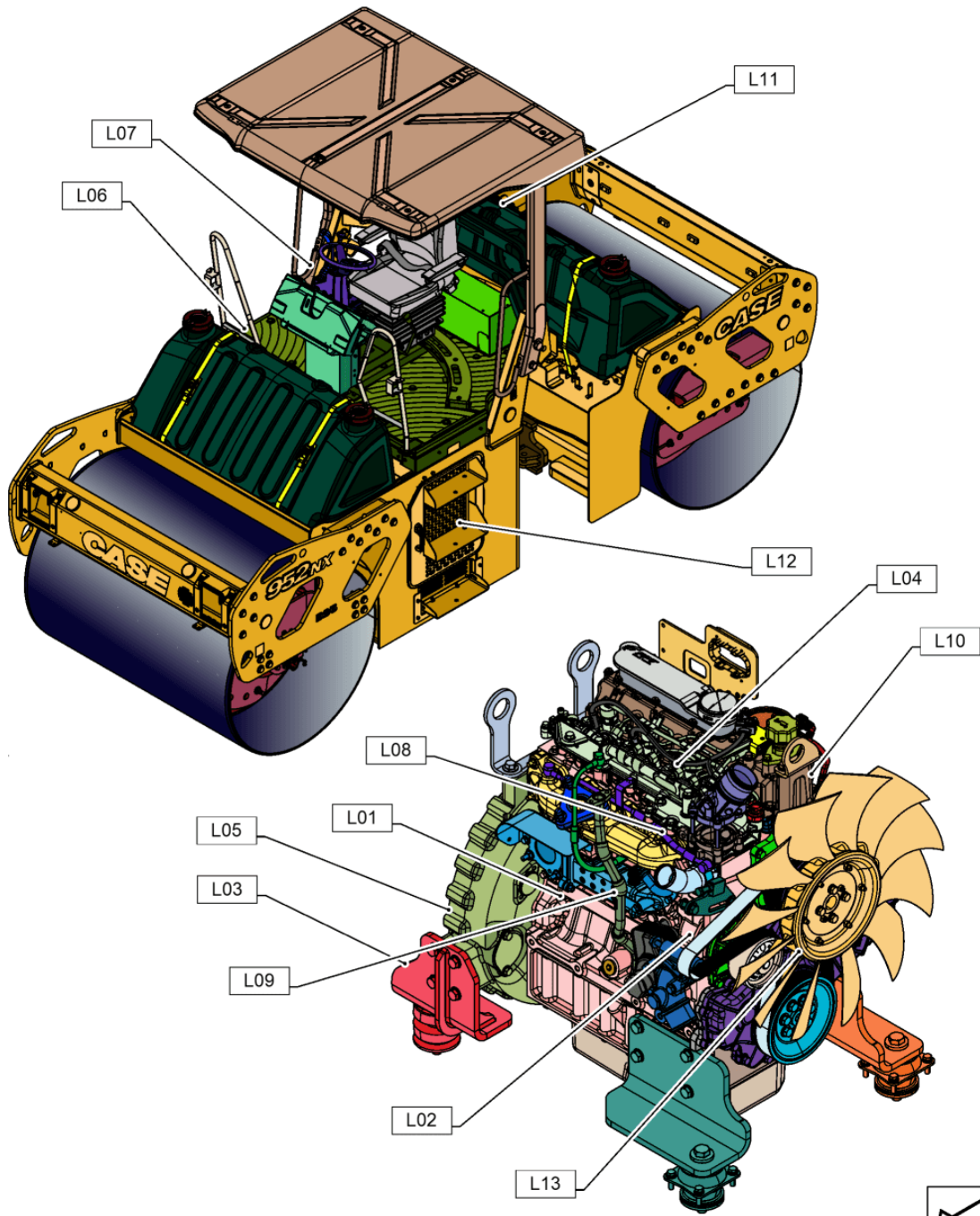
## SECTION INDEX

### ENGINE

---

10.414.AD [01]	FAN, PULLEY, BELT
10.414.AO [01]	DRIVING PULLEY

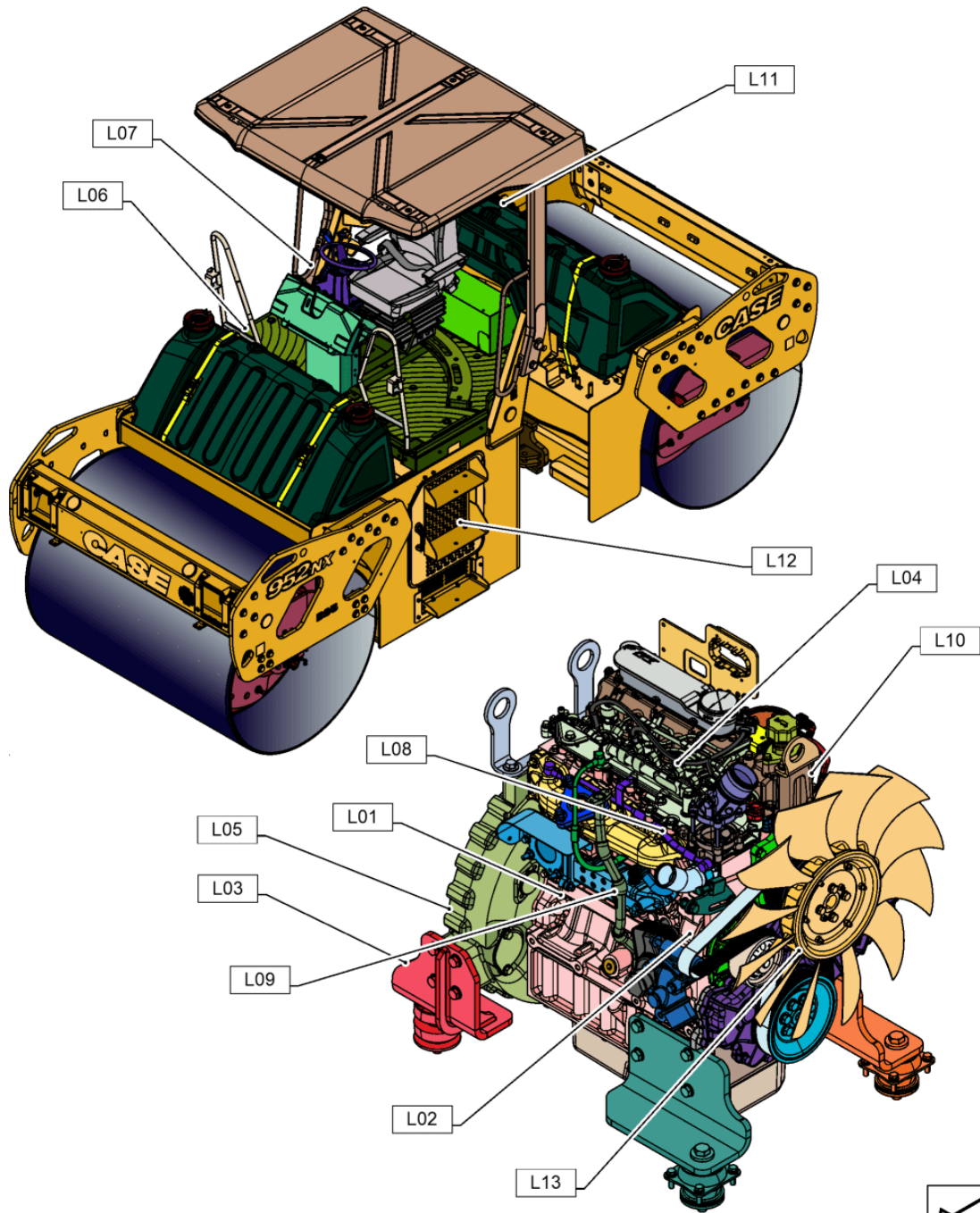
SECTION INDEX - ENGINE



## SECTION INDEX - ENGINE

REF	FIGURE NUMBER	FIGURE NAME
L01	10.001.AB[01]	ENGINE, CYLINDER BLOCK, VC
L01	10.001.AB[02]	CYLINDER BLOCK, VC
L01	10.001.AD[01]	ENGINE, VC 55KW (F28)
L01	10.001.AD[02]	ENGINE, F28 55KW VC
L01	10.001.AD[03]	ENGINE, ASSY, F28 - VC
L02	10.001.AD[04]	ALTERNATOR, SUPPORT
L02	10.001.AD[05]	ALTERNATOR, RELATED PARTS
L02	10.102.AK[01]	FRONT COVER AND CASE COVER
L03	10.001.AK[01]	ENGINE MOUNT, 55KW VC
L04	10.101.AA[01]	CYLINDER, CYLINDER HEAD, ASSY
L04	10.101.AB[01]	BREATHER, CYLINDER, HEAD, COVER
L04	10.102.BC[01]	CRANKSHAFT, ASSY, MAIN, BEARING
L04	10.105.AB[01]	CONNECTING ROD, PISTON ASSY
L04	10.106.AO[01]	ROCKER ARM
L04	10.218.AF[01]	FUEL INJECTOR
L05	10.103.AH[01]	FLYWHEEL, ASSY, VC
L05	10.103.AK[01]	FLYWHEEL, HOUSING, VC
L06	10.202.AH[01]	AIR CLEANER
L06	10.202.AK[01]	AIR INTAKE MOUNTING
L06	10.254.AC[01]	EXHAUST SYSTEM
L06	10.254.AC[02]	EXHAUST MANIFOLD, GASKET
L06	10.304.AC[01]	PLATE, OIL, SUMP
L06	10.304.AC[02]	SUMP, OIL
L06	10.304.AL[01]	LUBE PUMP, OIL & SUCTION STRAINER
L07	10.206.AG[01]	FUEL FILTER, SUPPORT
L07	10.210.AF[01]	LINE, FUEL PIPE
L07	10.216.AA[01]	FUEL TANK
L07	10.216.BA[01]	FUEL LINES
L07	10.218.AD[01]	FILTER, FUEL
L07	10.218.AI[01]	FUEL INJECTION PUMP, PIPE
L08	10.250.AC[01]	TURBOCHARGER, PIPE
L09	10.254.AM[01]	INTAKE MANIFOLD & VALVE HOUSING
L09	10.254.AM[02]	GASKET, ELBOW, INTAKE
L09	10.254.AM[03]	POWER TAKEOFF & PTO COVER
L10	10.304.AS[01]	PRESSURE VALVE & OIL DIPSTICK
L10	10.310.AD[01]	INTERCOOLER, OIL FILTER, VC

SECTION INDEX - ENGINE



**10.000.00 [01]**

p2

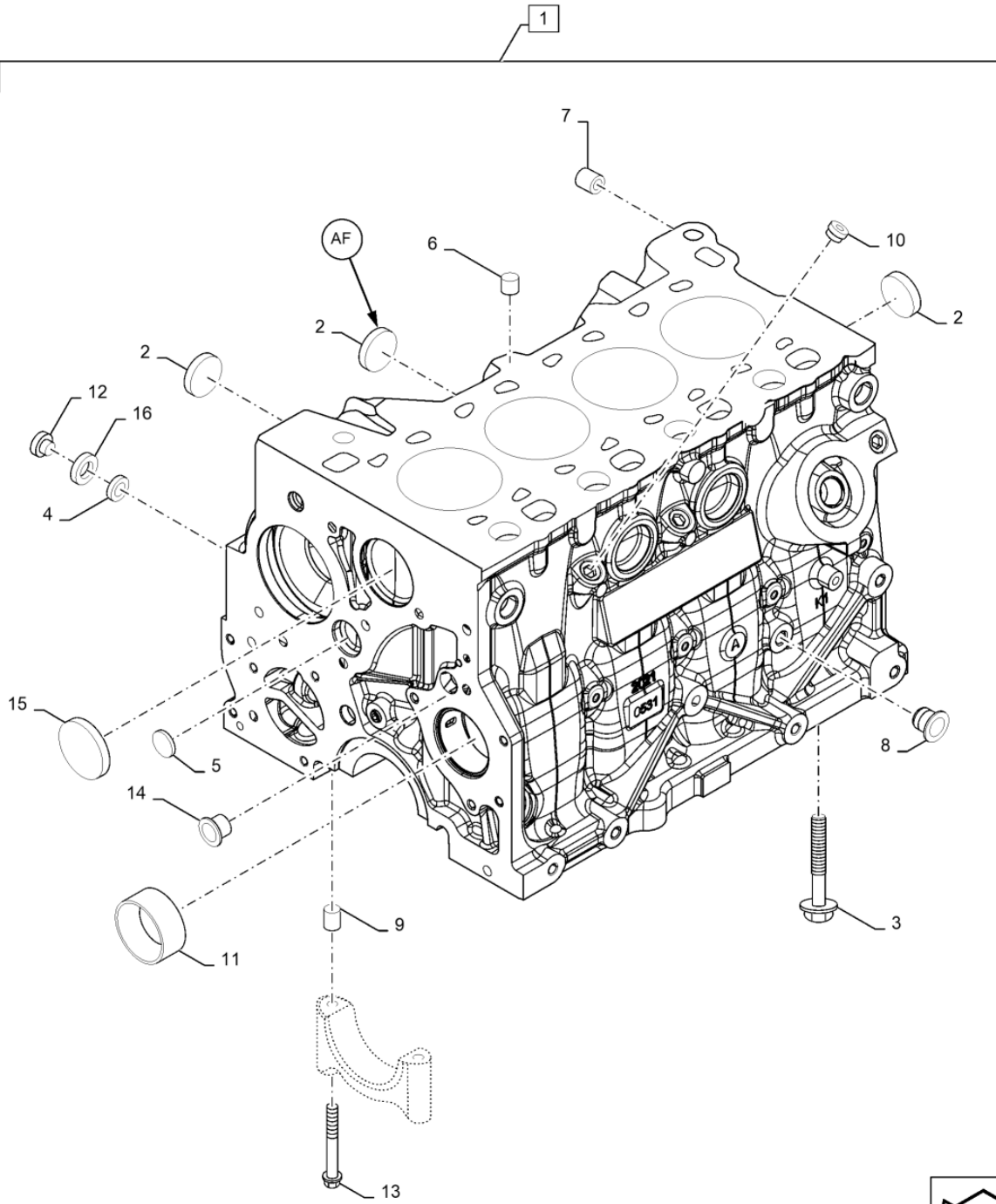
**SECTION INDEX - ENGINE**

<b>REF</b>	<b>FIGURE NUMBER</b>	<b>FIGURE NAME</b>
L11	10.400.BB[02]	WATER PUMP, COMPLETE
L12	10.400.BE[01]	RADIATOR, ASSY, 952NX F28
L12	10.400.BF[01]	RADIATOR, MOUNTING ASSY, 952NX F28
L12	10.400.BF[02]	RADIATOR, MOUNTING ASSY, 952NX F28
L12	10.408.AC[01]	HEAT EXCHANGER, VALVE, EGR
L13	10.414.AC[01]	FAN, ENGINE, SUB ASSY 55KW
L13	10.414.AC[02]	POWER TAKEOFF & PTO COVER
L13	10.414.AD[01]	FAN, PULLEY, BELT
L13	10.414.AO[01]	DRIVING PULLEY

10.001.AB [01]

p1

ENGINE, CYLINDER BLOCK, VC



**10.001.AB [01]**

p1

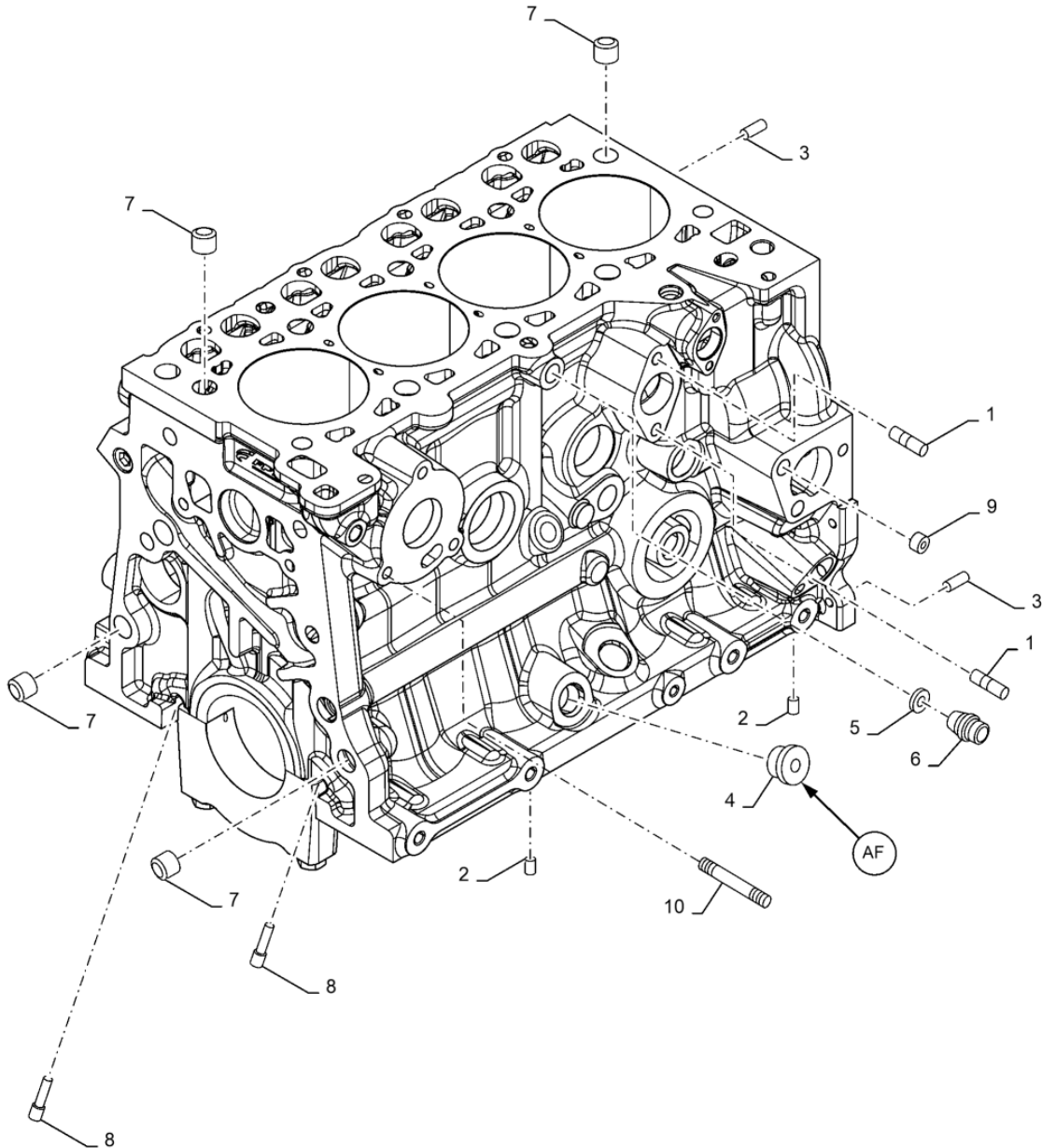
**ENGINE, CYLINDER BLOCK, VC**

REF	PN	QTY	DESCRIPTION	USAGE
1	5802803268	1	CYLINDER BLOCK	Incl 2 - 16
2	14329901	5	PLUG M40, Tapered	Cup
3	16598234	4	SCREW	
4	16988101	2	PLUG	Cup
5	16990970	1	PLUG Lock, 30mm Dia	Lock
6	504051236	1	PLUG Threaded, 1/8"	
7	504051237	2	PLUG	Tappo
8	504138060	4	PLUG	Lock
9	5802055200	14	DOWEL	
10	5802321943	7	PLUG	Threaded
11	5802570034	1	CAMSHAFT BEARING	
12	11903211	1	PLUG M12 x 1.25 x 12, CI5.8	
13	5802883699	10	SCREW	Hexagon Bolt
14	5802883705	1	PLUG	
15	5803024823	1	PLUG	
16	98474306	1	SEALING WASHER 14mm ID x 20mm OD x 1.5mm Thk	

10.001.AB [02]

p1

CYLINDER BLOCK, VC



**10.001.AB [02]**

p1

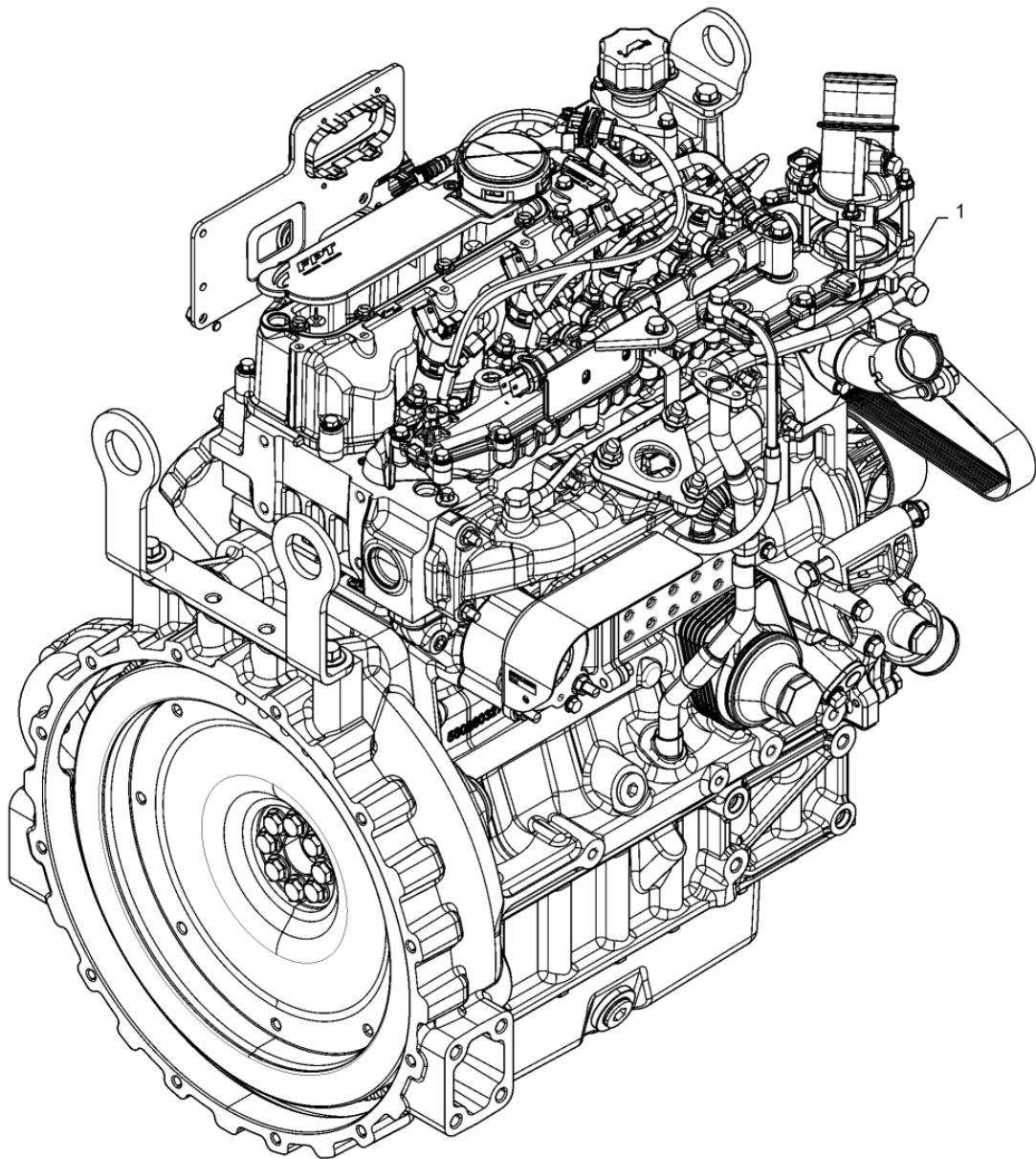
**CYLINDER BLOCK, VC**

REF	PN	QTY	DESCRIPTION	USAGE
1	16729324	2	STUD	
2	17238224	2	PIN	6X12 - 8.8 - A22
3	17238524	2	PIN	6X20 - 8.8 - A22
4	17917015	1	HEX SOCKET PLUG	
5	504077652	1	SEALING WASHER 13mm ID x 19mm OD	Gasket-Rectangular Section - D
6	504356829	1	PIPE FITTING M14 x 1.5	Pipe
7	5802055200	14	DOWEL	
8	5802883712	4	LUBE OIL NOZZLE	Piston Cooling - Saddle
9	99435557	2	DOWEL 8.50mm Dia	
9	5803312348	2	STUD	
10	16730424	3	STUD	

**10.001.AD [01]**

p1

ENGINE, VC 55KW (F28)



**10.001.AD [01]**

p1

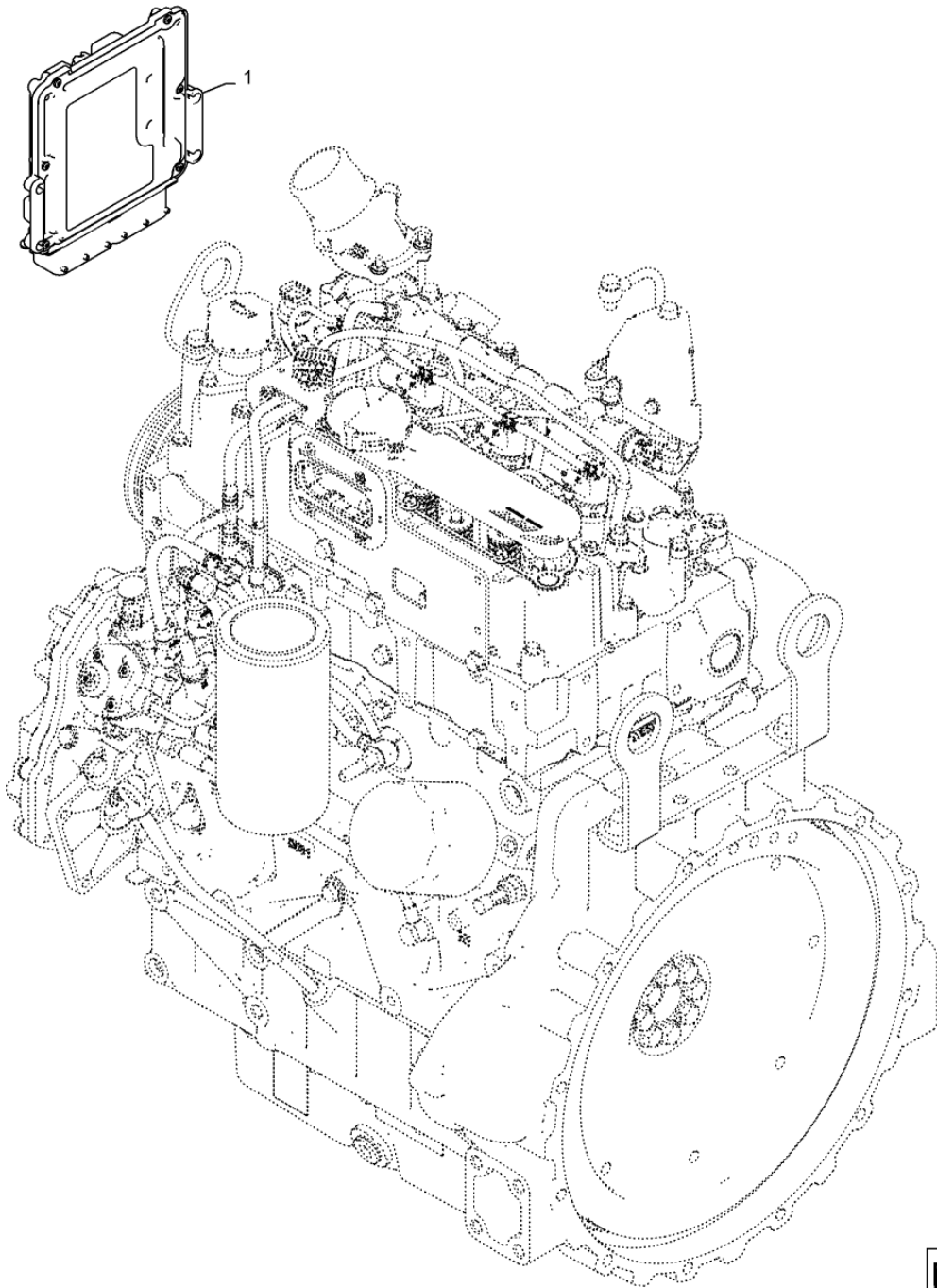
**ENGINE, VC 55KW (F28)**

REF	PN	QTY	DESCRIPTION	USAGE
1	92196309	1	ENGINE	VC 55KW (F28)

**10.001.AD [02]**

p1

ENGINE, F28 55KW VC



**10.001.AD [02]**

p1

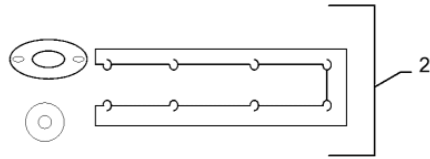
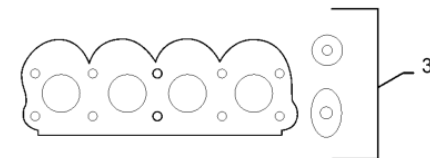
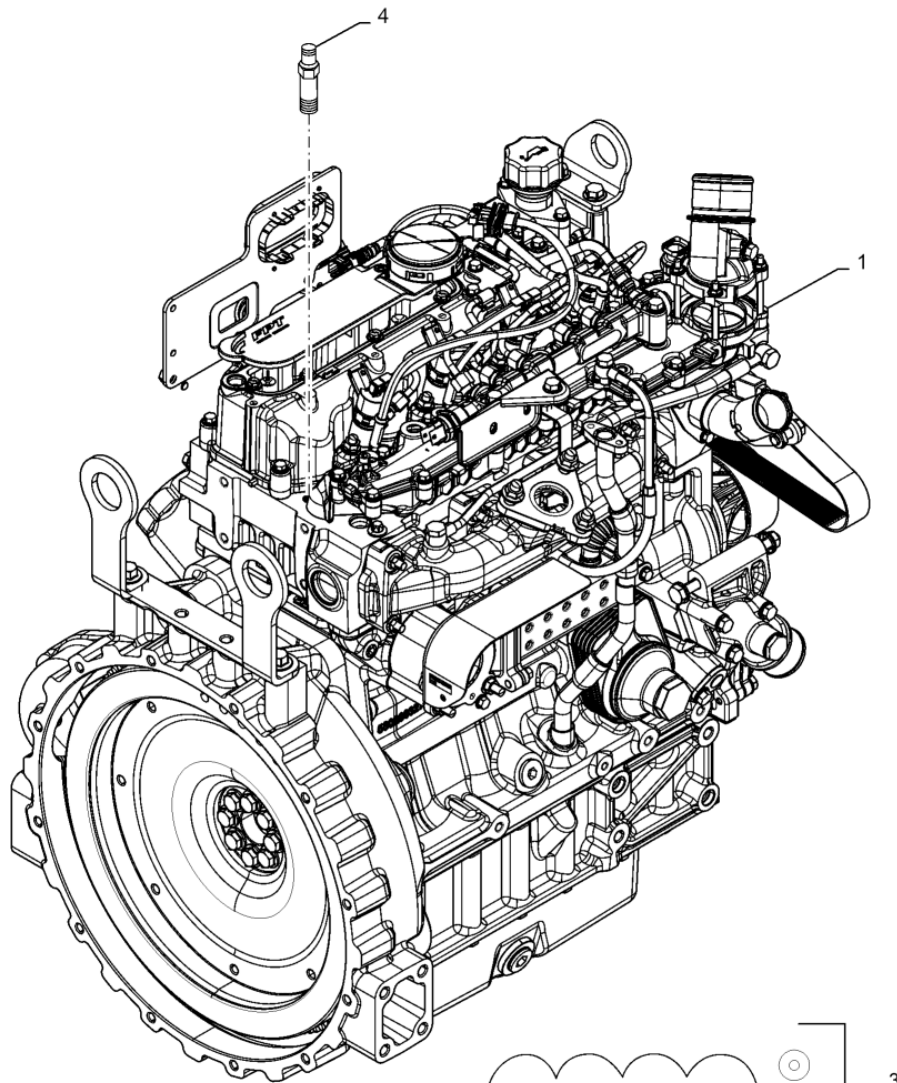
**ENGINE, F28 55KW VC**

REF	PN	QTY	DESCRIPTION	USAGE
1	5802498445	1	ECU EBOM3MSTR	Ecu (Ebom3Mstr)

10.001.AD [03]

p1

ENGINE, ASSY, F28 - VC



**10.001.AD [03]**

p1

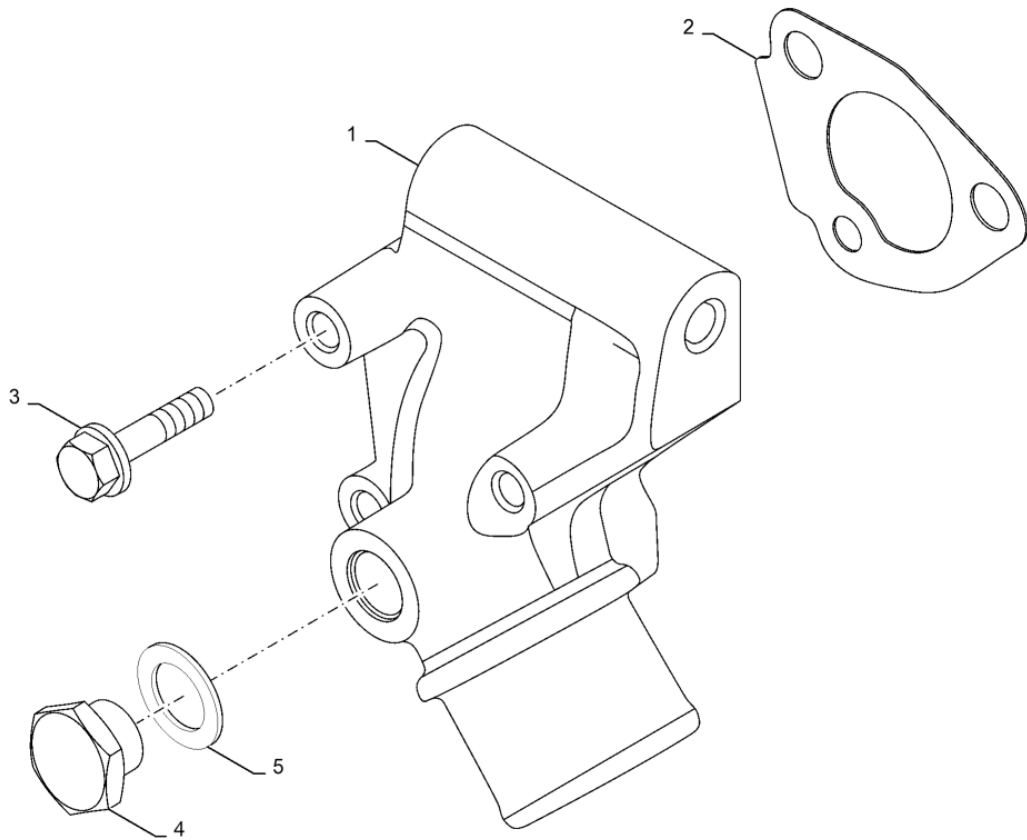
**ENGINE, ASSY, F28 - VC**

REF	PN	QTY	DESCRIPTION	USAGE
1	92196309	1	ENGINE	VC 55KW (F28)
2	8095734	1	KIT, ENGINE TOP GASK	Valves Grind Set
3	8095733	1	ENGINE OVERHAUL KIT	Gasket
4	5803083618	1	FITTING	Threaded Union

10.001.AD [04]

p1

ALTERNATOR, SUPPORT



**10.001.AD [04]**

p1

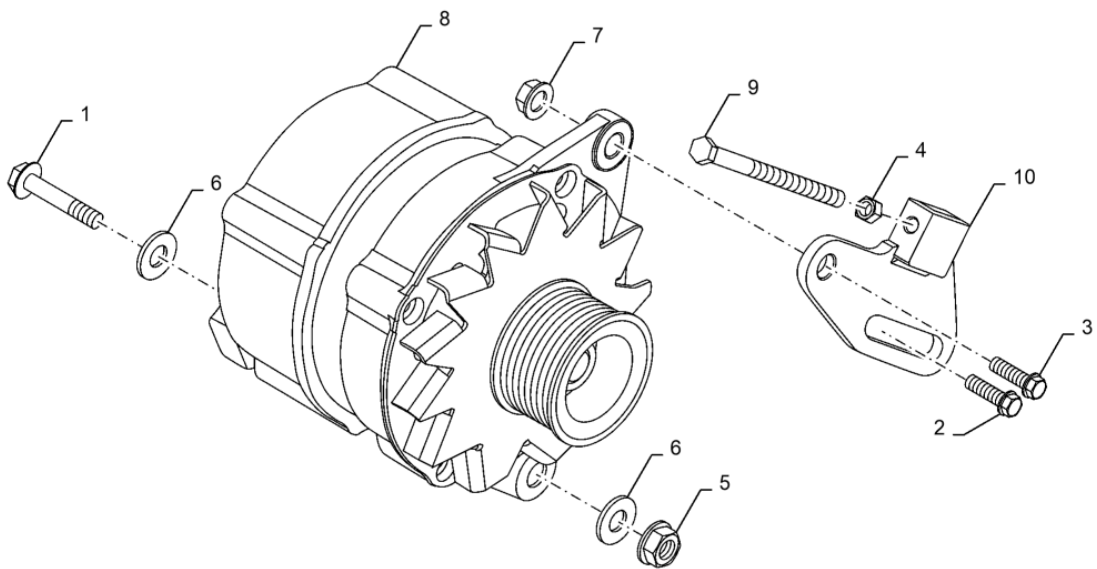
**ALTERNATOR, SUPPORT**

REF	PN	QTY	DESCRIPTION	USAGE
1	5802885996	1	SUPPORT	
1	5803314425	1	ALTERNATOR	Support
2	5803078001	1	GASKET	
3	16592424	3	SCREW M8 x 65mm	Bolt
3	16592425	3	BOLT M8 x 65mm	
4	16992511	1	PLUG	
5	98474311	1	SEALING WASHER	

10.001.AD [05]

p1

ALTERNATOR, RELATED PARTS



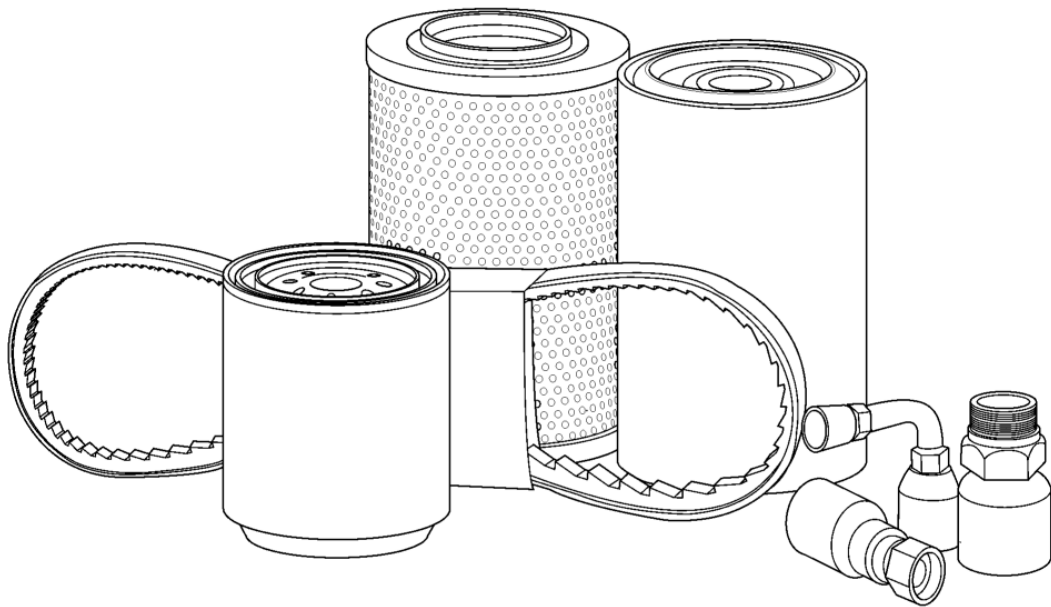
## ALTERNATOR, RELATED PARTS

REF	PN	QTY	DESCRIPTION	USAGE
1	11108821	1	BOLT Hex, M10 x 1.5 x 130mm, Cl 8.8	
1	16609124	1	SCREW	
1	IND11108821	1	BOLT M10X130 8.8 ZND DIN	
2	16587024	1	FLANGE BOLT Hex, M10 x 20mm, Cl 8.8, Full Thd	Screw
2	16587026	1	BOLT M10 X 20	
3	16587124	1	FLANGE BOLT Hex, M10 x 25mm, Cl 8.8, Full Thd	Screw
3	16587125	1	SCREW M10	
4	17037921	1	NUT Hex, M8 x 1.25	M8
4	17037925	1	NUT Hex, M8 x 1.25	
5	17044821	1	NUT	Porca
5	17044825	1	NUT Hex, M10 x 1.5	
6	17095125	2	WASHER	
7	17971831	1	NUT	Hexagonal Self-Locking Wit
7	17971835	1	NUT	
8	5801453377	1	ALTERNATOR	
8	92066441	1	ALTERNATOR	12V 120A
8	48195715	1	ALTERNATOR 12V, 120A, W/ Pulley	
9	504389066	1	SCREW	
10	5802886304	1	BRACKET	
10	5803319221	1	BRACKET	

**10.001.AD [06]**

p1

**ENGINE OVERHAUL KIT**



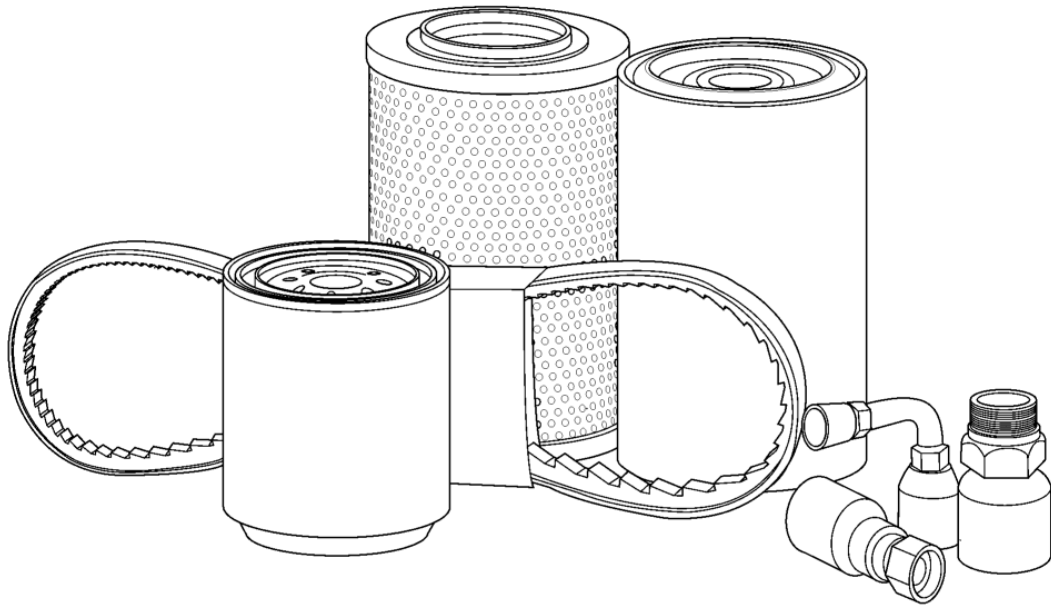
## ENGINE OVERHAUL KIT

REF	PN	QTY	DESCRIPTION	USAGE
1	44925216	1	KIT	Engine Overhaul Kit, Incl 2 - 43
2	8097986	4	O-RING	Gasket-O-Ring - Injector
3	8099055	4	SEALING WASHER	Seal Ring - Injector
4	10263460	2	SEAL 22.3mm ID x 28mm OD x 1.5mm Thk	Gasket-Rectangular Section - Tabella Fiat 14607
5	4858606	1	SEAL 10.2mm ID x 16mm OD x 1mm Thk	Gasket-Rectangular Section - 10X13.5 - Cu 99.5 - 000
6	17277981	2	O-RING 9.25mm ID x 1.78mm Thk, FKM	Gasket-Toroidal - Tabella Fiat 14618
7	17281881	2	O-RING 17.12mm ID x 2.62mm Thk, FKM	Gasket-Toroidal
8	17282281	1	O-RING 23.47mm ID x 2.62mm Thk, FKM	Gasket-Toroidal
9	98474303	1	WASHER 8mm ID x 14mm OD x 2.3mm Thk	Screw Seal Collar - Per Bocchettoni
10	98474305	2	SEALING WASHER	Screw Seal Collar
11	98474306	1	SEALING WASHER 14mm ID x 20mm OD x 1.5mm Thk	Screw Seal Collar - Per Bocchettoni.
12	504027969	1	SEALING RING	Gasket-O-Ring
13	504077652	1	SEALING WASHER 13mm ID x 19mm OD	Gasket-Rectangular Section - Diam. 13,3 X 18 X 1,5.
14	5801495064	4	SEAL	Gasket-Metal
15	5801696016	1	SEALING WASHER	Screw Seal Collar - Per Tappi Raccordi.
16	5802099551	1	GASKET RUBBER+STEEL	Gasket - Tubazione Scarico Olio Da Turbosoffiante Rif. Fpt P/N 55193060
17	5802455380	1	SEALING RING	Gasket-Rectangular Section
18	5802765886	1	GASKET	Gasket - Gomito Ingresso Aria Acollettore Aspirazione
19	5802765899	1	GASKET	Gasket
20	504341194	1	GASKET	Gasket-Metal
21	5803117329	1	CYLINDER HEAD GASKET	Gasket-Cylinder Head - F28 Engine Tickness 0.95Mm
22	5802883802	1	GASKET	Gasket-Rocker Cover - F28 Engine Gamma
23	5802883816	2	GASKET	Gasket-Sump - F28 Engine Ag Application Gamma

**10.001.AD [06]**

p2

**ENGINE OVERHAUL KIT**



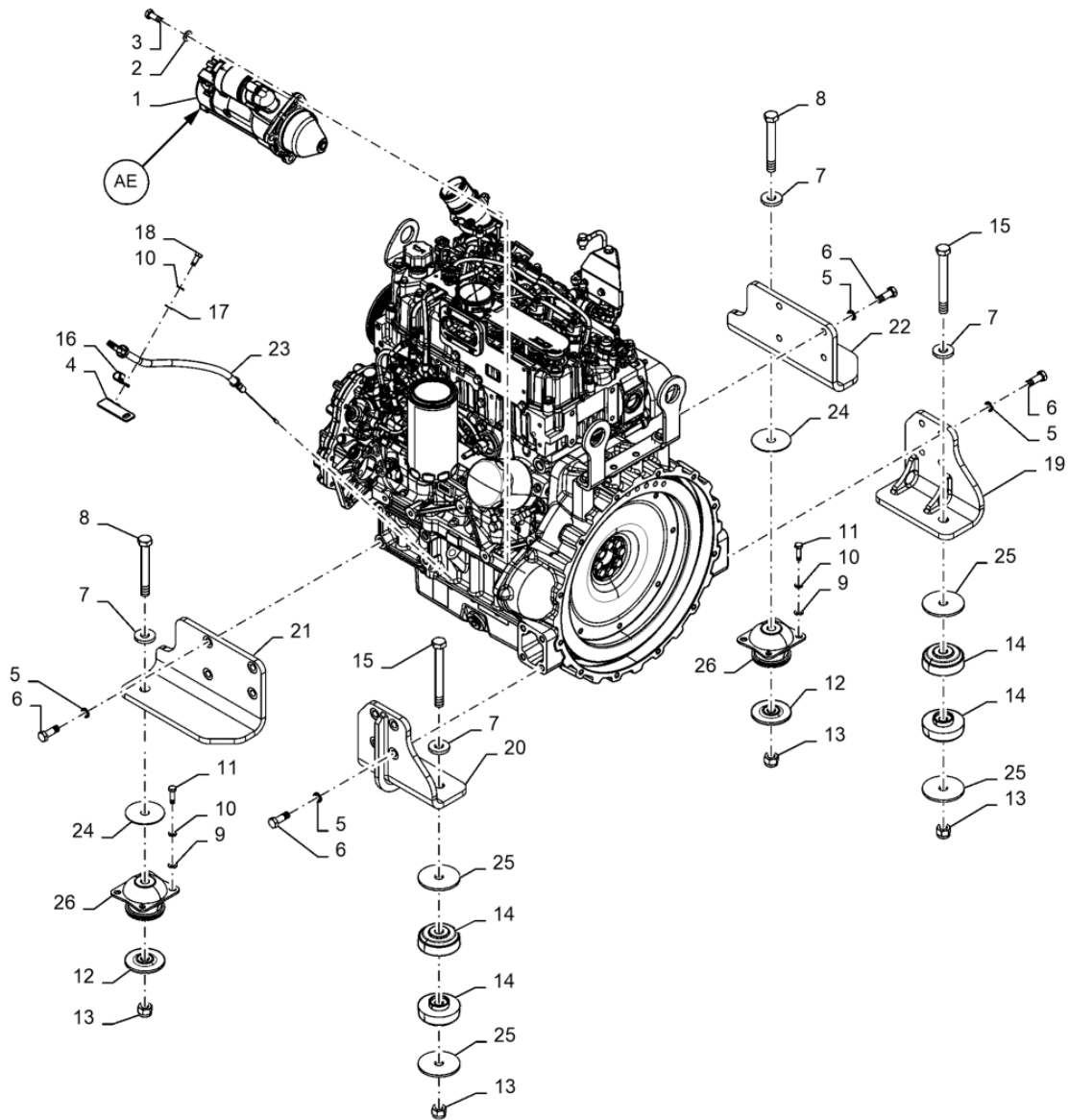
## ENGINE OVERHAUL KIT

REF	PN	QTY	DESCRIPTION	USAGE
24	5802884244	3	RUBBER SEAL	Gasket - F28 Engine Intake Manifold Gasket Gamma
25	5802884245	1	RUBBER SEAL	Gasket - F28 Engine Intake Manifold Gasket (Egr) Gamma
26	5802884246	1	GASKET	Gasket - F28 Engine Intake Cover Gasket Gamma
27	5802884330	1	GASKET	Gasket - F28 Engine Metal Gasket Gamma
28	5802885299	1	O-RING	O-Ring - Per Valvola Egr F28 Fkm
29	5802885618	1	RUBBER SEAL	Gasket - F28 Engine Gamma
30	5802885741	1	GASKET	Gasket - F28 Engine Turbocharger Gasket 3Fix Gamma
31	5802987260	1	GASKET	Gasket-Sump - F28 Engine Ce Application Supplier: Tenneco Gamma
32	8094486	4	PISTON ASSY +0.4	Piston Assy
33	8094485	4	SET,PISTON RINGS+0.4	Piston Ring Set
34	8094479	4	BEARING SET	Con.Rod Bear Std
35	8094476	1	SET OF STD MAIN BRGS	Main Bearing Set
36	5802883735	4	STD INLET VALVE	Valve,Engine,Inlet,S
37	5802883738	4	STD EXHAUST VALVE	Valve,Engine,Outlet,S
38	5803252890	1	BELT	Engine Fan Belt
39	5802883774	8	VALVE GUIDE	Valve Guide
40	5802883770	4	VALVE SEAT	Valve Seat Intake Std
41	5802883773	4	VALVE SEAT	Valve Seat Exhaust Std
42	5802883753	8	CUP	Valve Cap Cover
43	5802570034	1	CAMSHAFT BEARING	Camshaft Bush

# 10.001.AK [01]

p1

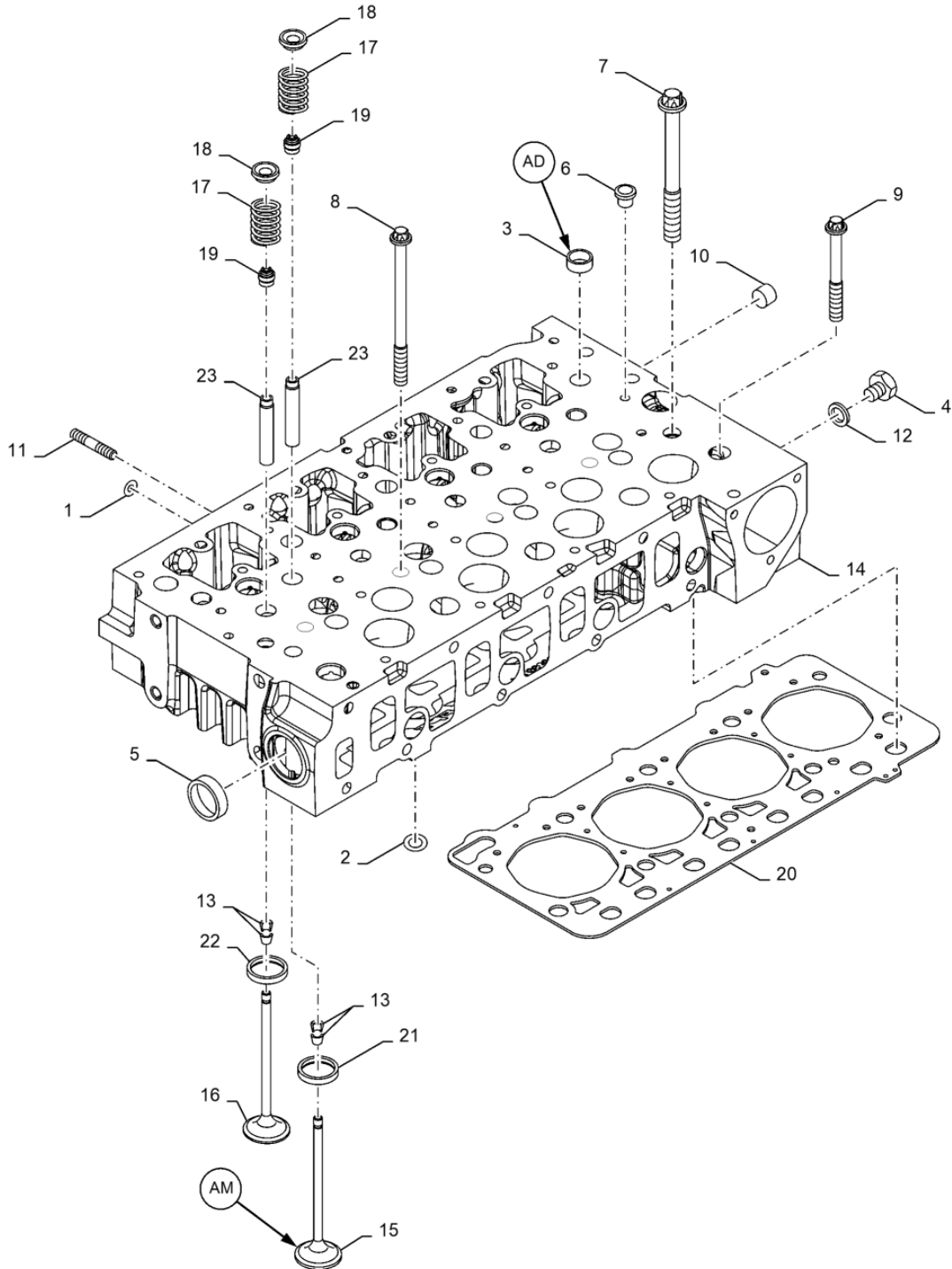
## ENGINE MOUNT, 55KW VC



## ENGINE MOUNT, 55KW VC

REF	PN	QTY	DESCRIPTION	USAGE
1	47636050	1	STARTER MOTOR 12V	3.2 Kw
2	P00034611V	3	WASHER	10.5X21X2 Stl
3	43140	3	BOLT Hex, M10 x 1.5 x 30mm, CI 8.8, Full Thd	
4	92099623	1	BRACKET	Engine Dipstick, Blk
5	48104698	16	WASHER	Lock, 13X19.5 Stl
6	627-12035	16	BOLT Hex, M12 x 1.75 x 35mm, CI 10.9, Full Thd	
7	47558947	4	WASHER	17X40X6 Cst
8	15981834	2	BOLT Hex, M16 x 1.5 x 120mm, CI 10.9	
9	P00034609T	8	WASHER	8.4X17X1.6 Stl
10	892-11008	9	LOCK WASHER 8mm ID	8.3X14.8 Znd
11	43128	8	BOLT Hex, M8 x 1.25 x 30mm, CI 8.8, Full Thd	
12	92093176	2	WASHER	0.656X3X0.179 Hts Znm
13	12574921	4	LOCK NUT Prevailing Torque, M16, 1.5mm Pitch, 18.00mm High, CI 10, ZND	
14	84383342	4	ISOLATOR 55 Durometer	Mount, Iso Engine
15	15982134	2	BOLT Hex, M16 x 1.5 x 140mm, CI 10.9	
16	86625036	1	CLAMP 12.7mm, Coat, 8.7mm Bolt Hole, P Type	
17	895-11008	1	WASHER 9mm ID x 16mm OD x 1.6mm Thk	
18	120104	1	BOLT Hex, M8 x 1.25 x 20mm, CI 8.8, Full Thd	
19	91896414	1	BRACKET	Engine Mtg, Rear RH Machined
20	91896409	1	BRACKET	Engine Mtg, Rear LH Machined
21	92264237	1	BRACKET	Engine Mtg, Front LH Machined
22	92264239	1	BRACKET	Engine Mtg, Front RH Machined
23	92099438	2	DIPSTICK	Engine, Fpt F28 952Nx
24	92112305	2	WASHER	16.5 X 75 X 2 Mm
25	92115591	4	WASHER	80X16.7X4.5 Mm Hts Znm
26	92042949	2	RUBBER MOUNTING	Metacone-Void, 53Sh

CYLINDER, CYLINDER HEAD, ASSY



**10.101.AA [01]**

p1

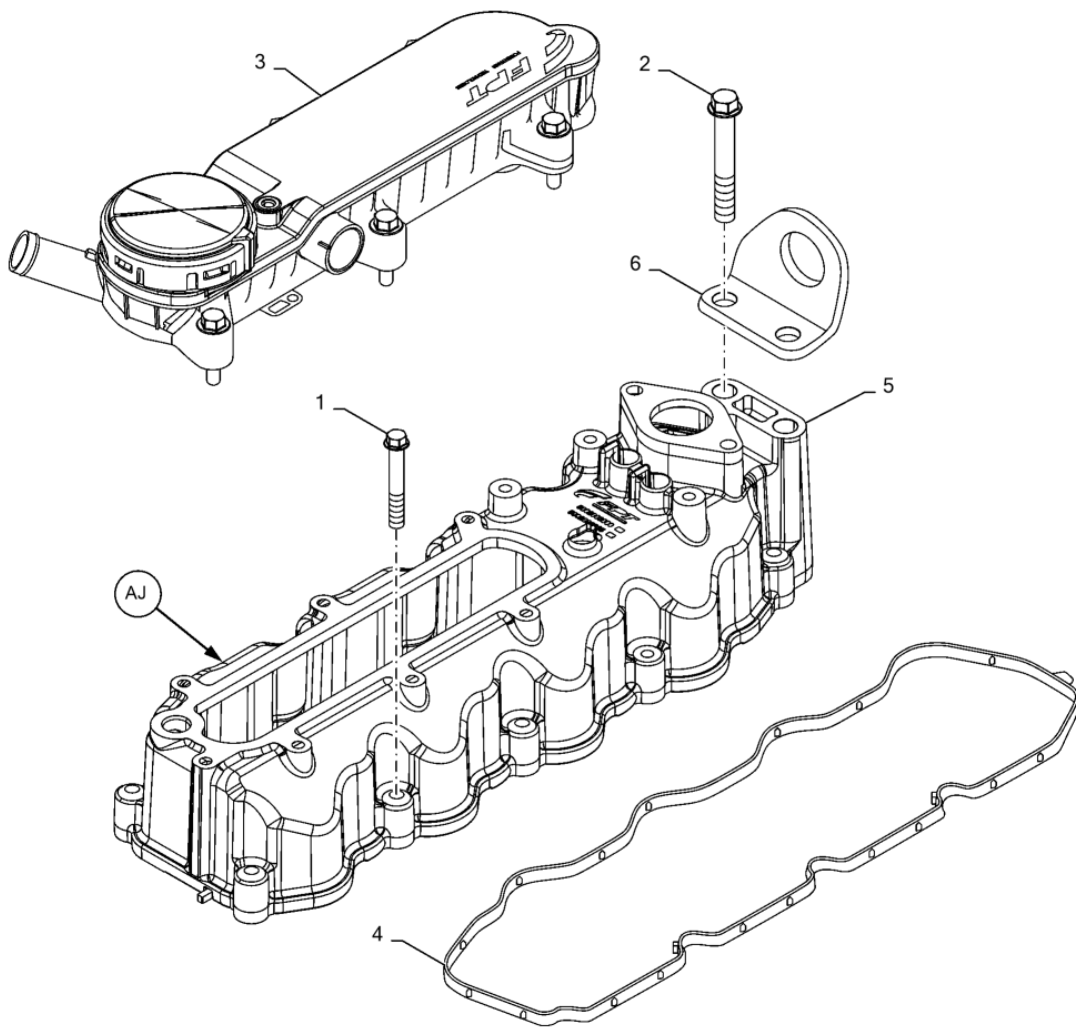
**CYLINDER, CYLINDER HEAD, ASSY**

REF	PN	QTY	DESCRIPTION	USAGE
1	14282170	4	PLUG M20, Tapered, Stainless	Dia.20
2	16988001	4	PLUG	
3	16988301	8	PLUG Lock, 20mm Dia	
4	16993911	1	PLUG	Threaded M14
5	4895228	1	EXPANSION PLUG 35.23mm x 7.94mm	
6	504051236	2	PLUG Threaded, 1/8"	
7	504081521	6	BOLT M15 x 1.5 x 193mm	
8	504081533	4	BOLT M12 x 1.5 x 165mm	
9	504081544	6	HEX SOC SCREW	
10	504344694	1	PLUG M25, Tapered	Bujao
11	5801475385	9	STUD M8 x 1.25	
12	5801696016	1	SEALING WASHER	
13	5802809650	16	CONE	
14	5802832700	1	CYLINDER HEAD	
15	5802883735	4	STD INLET VALVE	Engine
16	5802883738	4	STD EXHAUST VALVE	
17	5802883745	8	VALVE SPRING	
18	5802883753	8	CUP	
19	5802883756	8	OIL SEAL	
20	5803117328	1	CYLINDER HEAD GASKET	
20	5803117329	1	CYLINDER HEAD GASKET	
21	5802883770	4	VALVE SEAT	Intake Std
22	5802883773	4	VALVE SEAT	Exhaust Std
23	5802883774	8	VALVE GUIDE	

10.101.AB [01]

p1

BREATHER, CYLINDER, HEAD, COVER



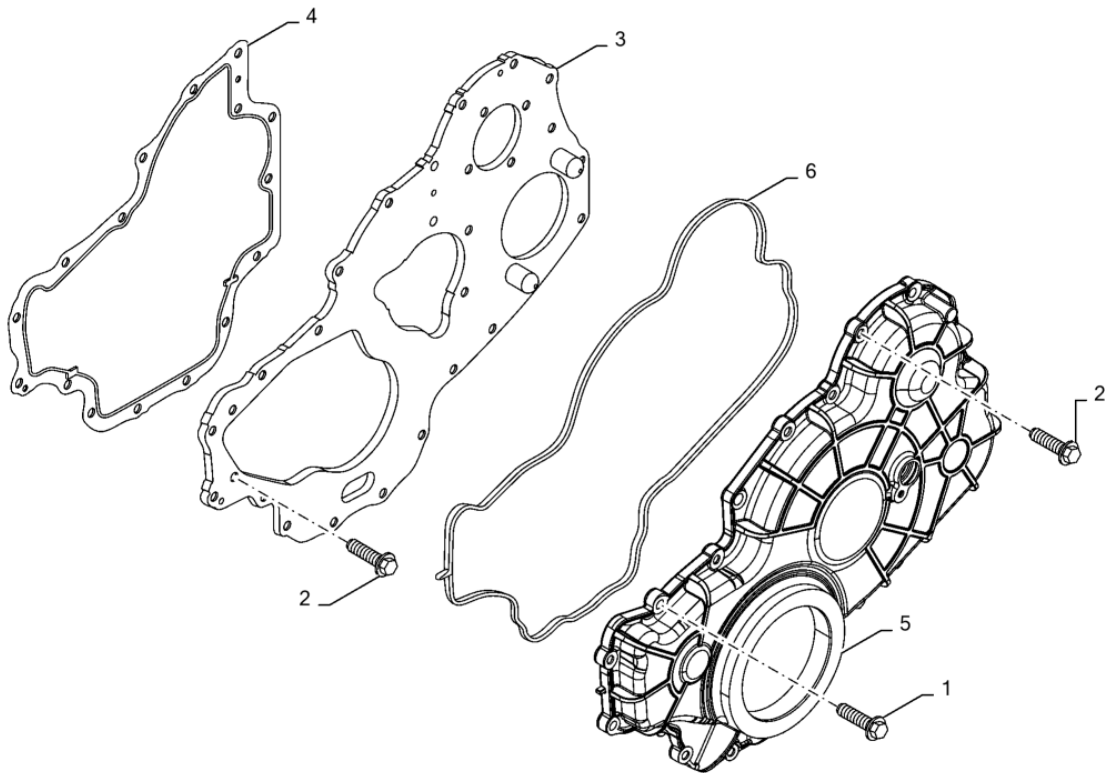
**10.101.AB [01]**

p1

**BREATHER, CYLINDER, HEAD, COVER**

REF	PN	QTY	DESCRIPTION	USAGE
1	16591721	30	SCREW	
2	16596634	2	SCREW	
3	5802845406	1	ELEMENT, FILTER BLOW BY	Separator With Pcv Int
3	5803320839	1	ELEMENT, FILTER BLOW BY	Seperator - New
4	5802883802	1	GASKET	Rocket Cover
4	5803381047	1	GASKET	Rocket Cover
5	5802889335	1	VALVE COVER	
5	5803320838	1	CYLINDER HEAD	Cover-Oil Filler Open (New)
5	5803320837	1	CYLINDER HEAD	Cover-Oil filler Close
5	5802883800	1	VALVE COVER	
6	5803211721	1	HOOK	

FRONT COVER AND CASE COVER



# 10.102.AK [01]

p1

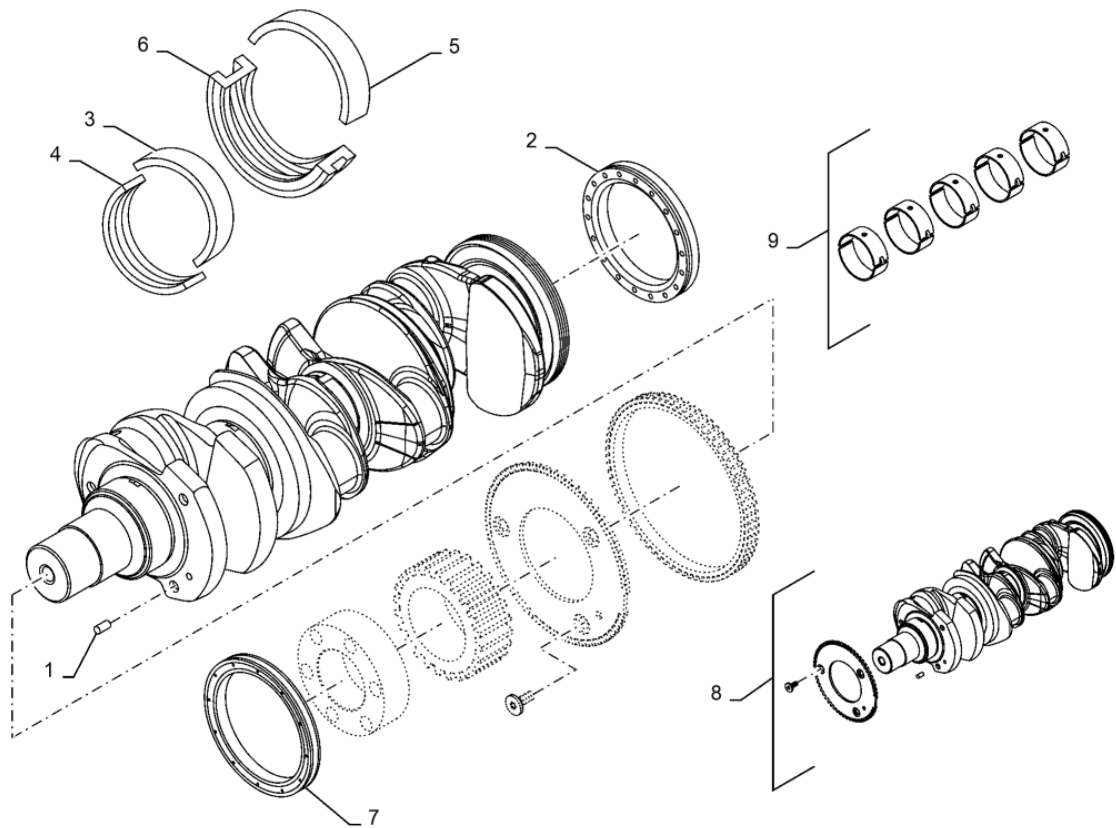
## FRONT COVER AND CASE COVER

REF	PN	QTY	DESCRIPTION	USAGE
1	16586424	13	SCREW M8 x 25mm	Bolt M8X1.25X25 Mm
1	16673735	13	FLANGE BOLT Hex, M8 x 1.25 x 25mm	M8X1.25X25 Mm
2	16586624	13	FLANGE BOLT M8 x 35mm	M8X1.25X35 Mm
2	16586625	13	FLANGE BOLT M8 x 35mm	M8X1.25X35 Mm
3	5803310192	1	PLATE	Complete For Hig
4	5803502775	1	GASKET	
4	5802884180	1	GASKET	
5	5802884191	1	GEARBOX	
6	5803381014	1	GASKET	
6	5802884194	1	GASKET	

10.102.BC [01]

p1

CRANKSHAFT, ASSY, MAIN, BEARING



**10.102.BC [01]**

p1

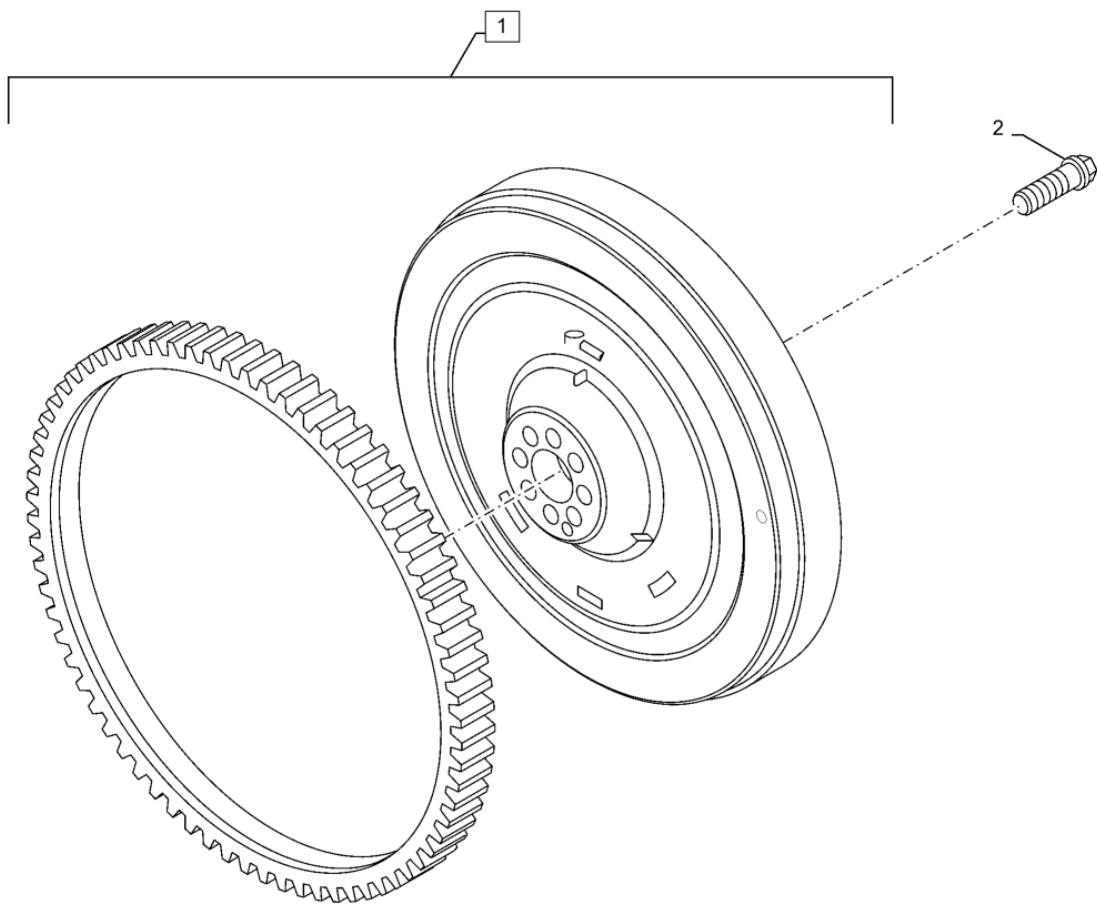
**CRANKSHAFT, ASSY, MAIN, BEARING**

REF	PN	QTY	DESCRIPTION	USAGE
1	504006981	1	COTTER PIN 5.5mm OD	Dowel
2	504014232	1	OIL SEAL	
3	5802884844	4	CAMSHAFT BEARING	Main Cap Bushing Small
4	5802885054	4	CAMSHAFT BEARING	Crankshaft Bushing D 6
5	5802885055	1	CAMSHAFT BEARING	Main Cap Bushing Big
6	5802885056	1	CAMSHAFT BEARING	Crankshaft Bushing D 7
7	5802885109	1	SEAL	
8	5802974789	1	CRANKSHAFT	
9	8094476	1	SET OF STD MAIN BRGS	

**10.103.AH [01]**

p1

FLYWHEEL, ASSY, VC



**10.103.AH [01]**

p1

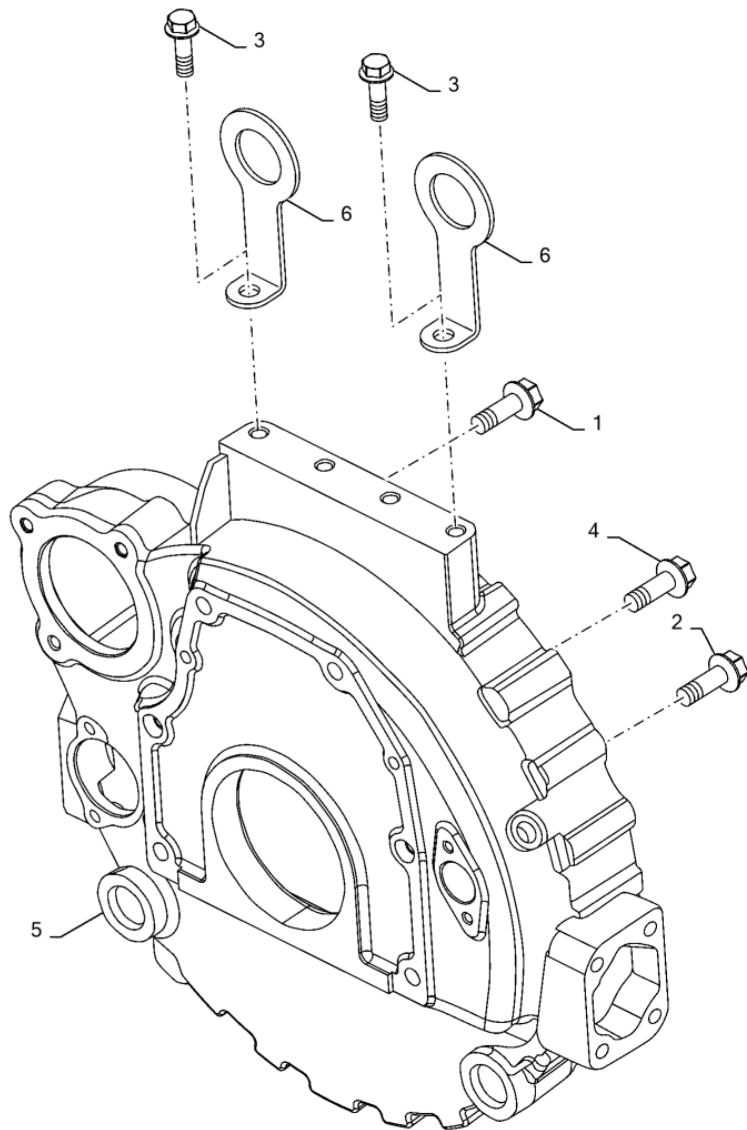
**FLYWHEEL, ASSY, VC**

<b>REF</b>	<b>PN</b>	<b>QTY</b>	<b>DESCRIPTION</b>	<b>USAGE</b>
1	5803191376	1	FLYWHEEL	Complete - Ce Sae3
2	5803192709	8	FLYWHEEL	Clamping Screw

10.103.AK [01]

p1

FLYWHEEL, HOUSING, VC



# 10.103.AK [01]

p1

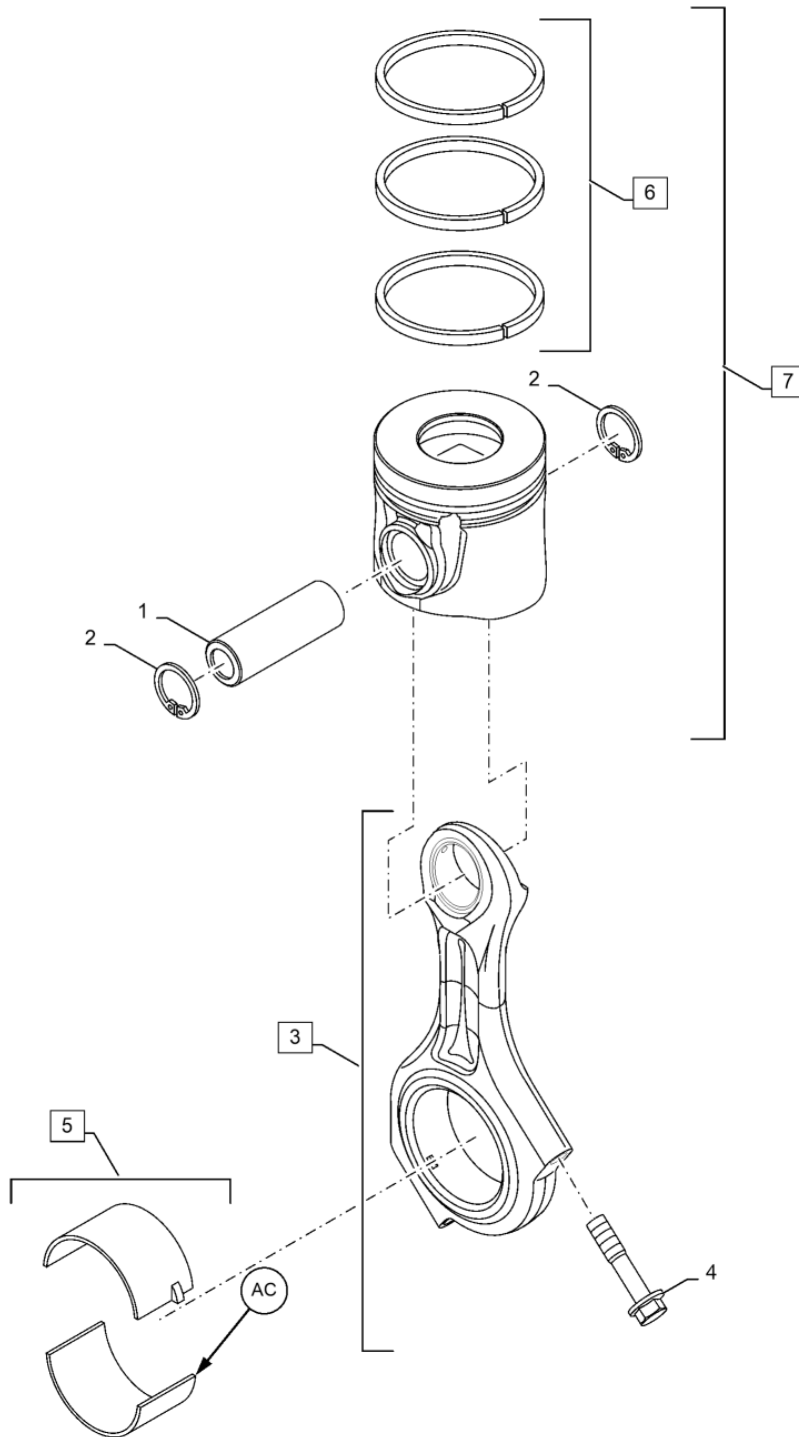
## FLYWHEEL, HOUSING, VC

REF	PN	QTY	DESCRIPTION	USAGE
1	16673934	2	SCREW M8 x 35mm	Bolt
1	16674034	2	SCREW M8 x 40mm	Bolt
2	18264034	1	BOLT	
3	16677734	2	BOLT Hex Flg, M12 x 1.75 x 25mm	M12X25 Mm
4	16678034	10	BOLT Hex, M12 x 40mm	
4	16678235	10	BOLT Flng, M12 x 50mm	
5	5803191371	1	FLYWHEEL	Housing - Vc Applicat
6	5803014473	2	HOOK	Engine, Rear
6	5803319807	2	HOOK	Engine, Rear
6	504239237	2	LIFTING EYE	

10.105.AB [01]

p1

CONNECTING ROD, PISTON ASSY



**10.105.AB [01]**

p1

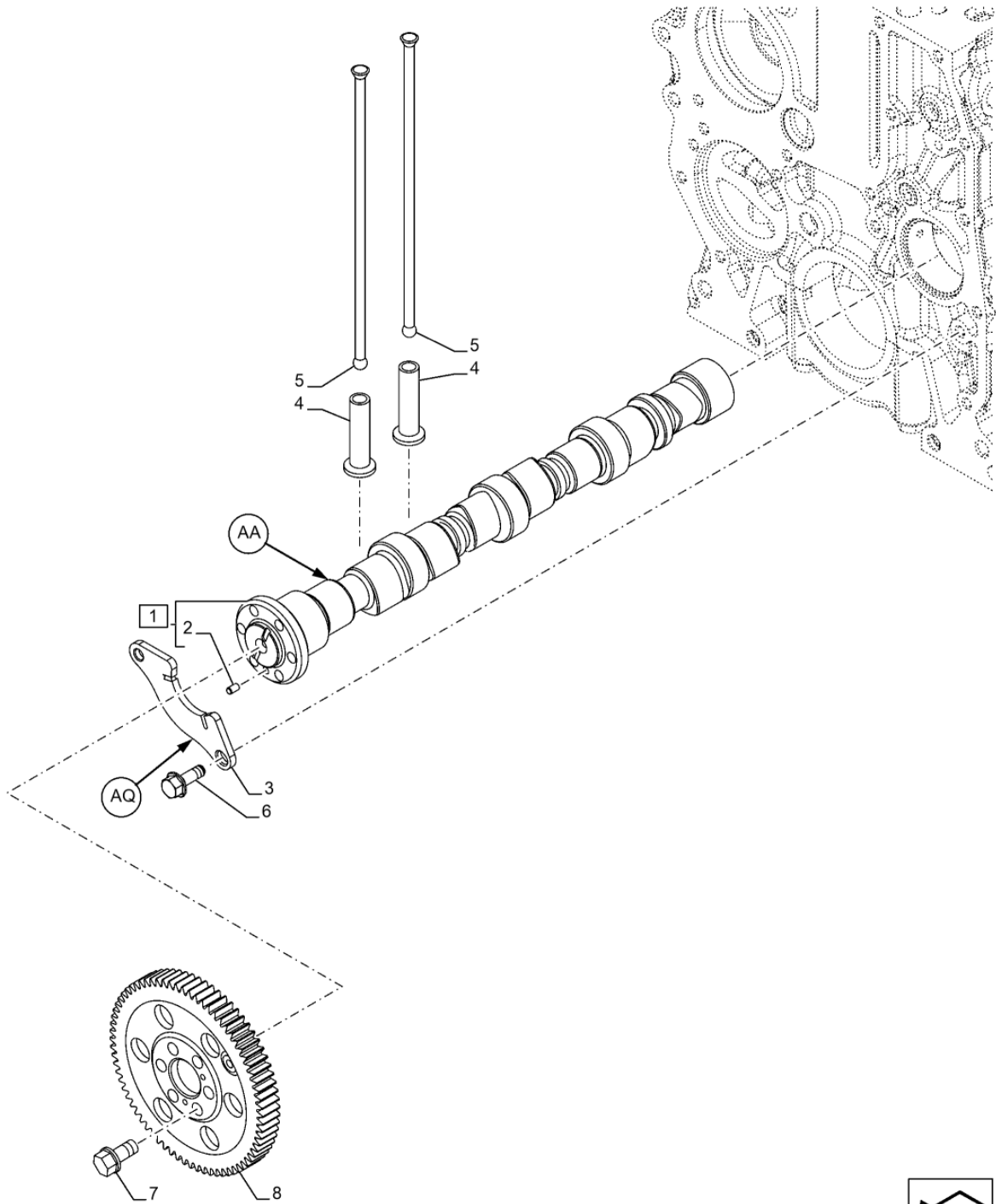
**CONNECTING ROD, PISTON ASSY**

REF	PN	QTY	DESCRIPTION	USAGE
1	5802884745	4	PISTON PIN	
2	5802884747	8	CIRCLIP	
3	5802884812	4	CONNECTING ROD	
4	5802884817	8	SCREW	Hexagon Bolt
5	8094479	4	BEARING SET	Con.Rod Std
6	8094483	4	PISTON RINGS KIT	Set Std
6	8094485	4	SET,PISTON RINGS+0.4	
7	8094484	4	PISTON & RINGS KIT	
7	8094486	4	PISTON ASSY +0.4	

10.106.AA [01]

p1

CAMSHAFT



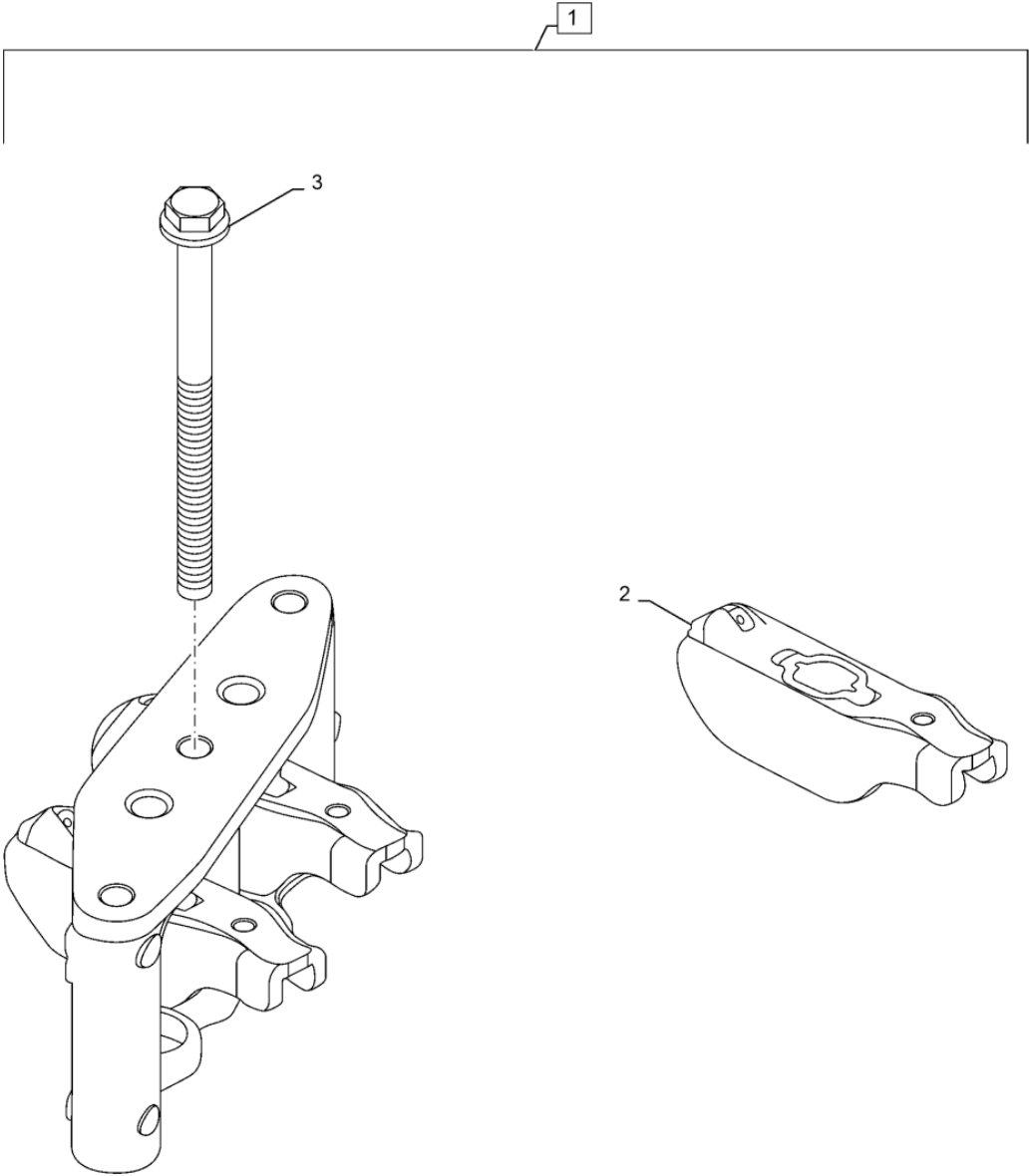
**10.106.AA [01]**

p1

**CAMSHAFT**

REF	PN	QTY	DESCRIPTION	USAGE
1	5802885171	1	CAMSHAFT	
2	504345384	1	PIN	Dowel
3	4897457	1	SUPPORT	
4	5802885154	8	TAPPET	Hydr
5	5802885156	8	PUSH ROD	
6	16600224	2	SCREW Hex, M8 x 1.25 x 18mm	
7	16673635	6	FLANGE BOLT Hex, M8 x 1.25 x 20mm, Full Thd	
8	5802885152	1	GEAR	

ROCKER ARM



**10.106.AO [01]**

p1

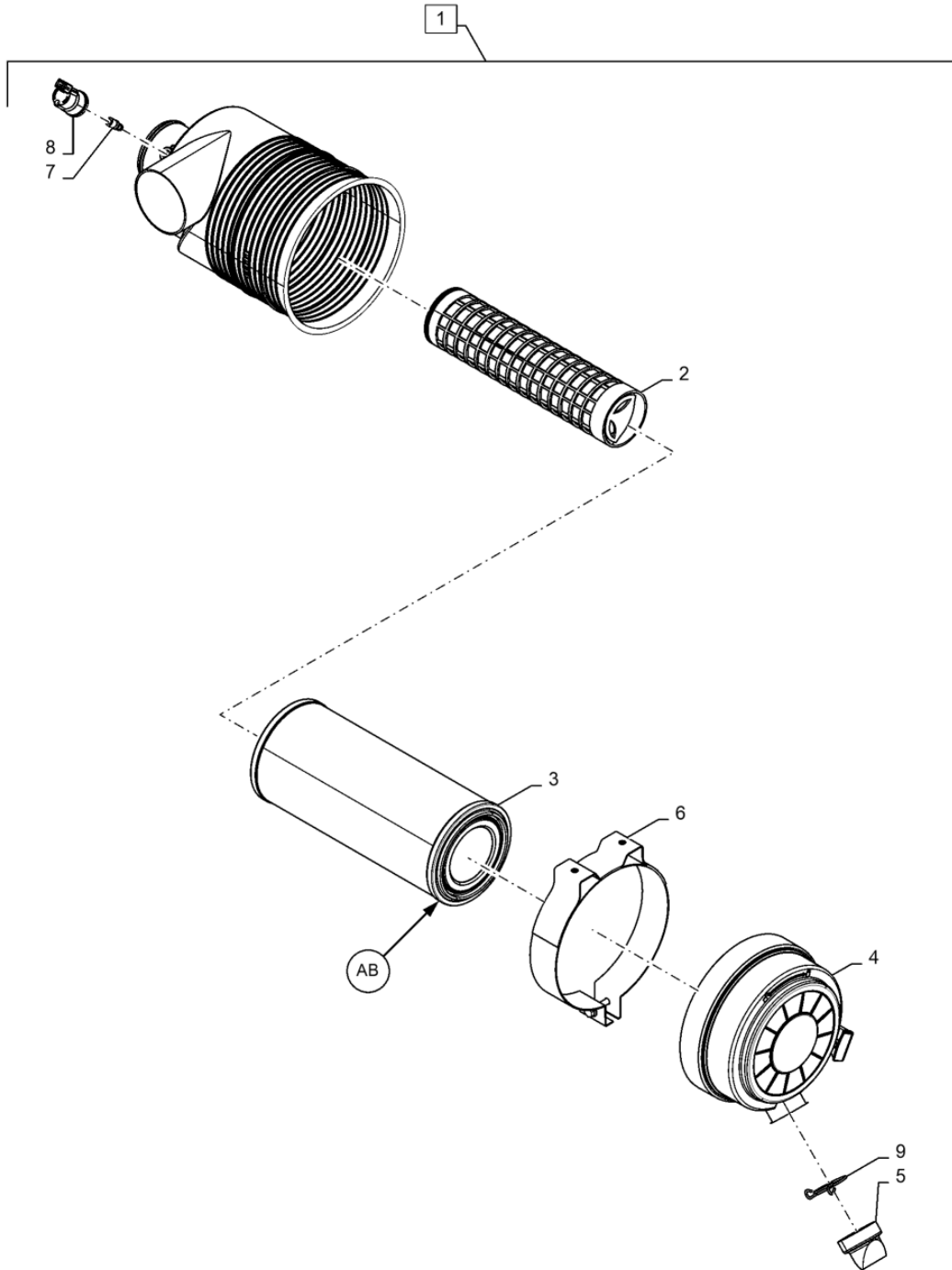
**ROCKER ARM**

REF	PN	QTY	DESCRIPTION	USAGE
1	5802885159	4	ROCKER ARM	Complete
2	5802885160	8	ROCKER ARM	
3	5802885163	12	SCREW	

10.202.AH [01]

p1

AIR CLEANER



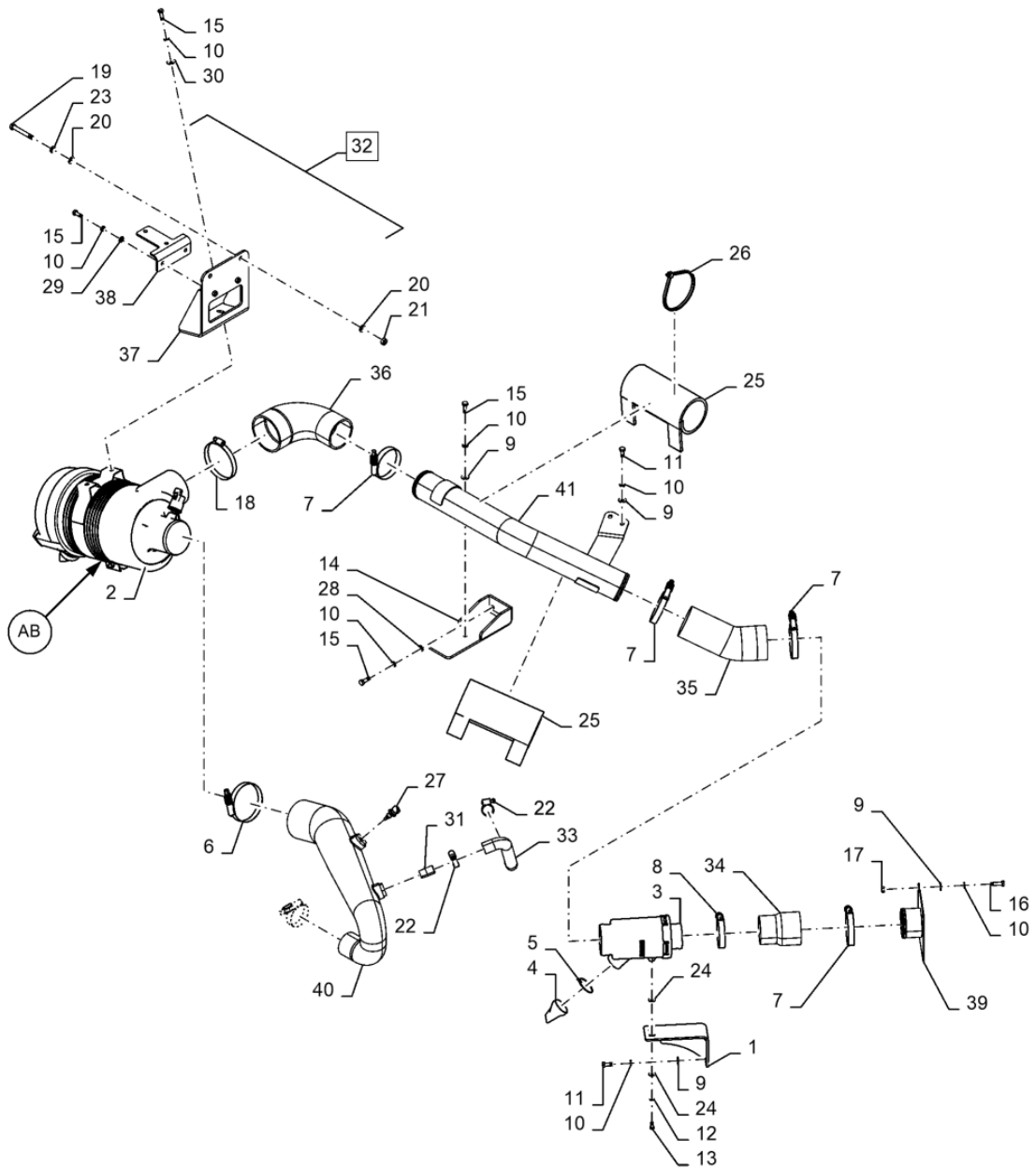
# 10.202.AH [01]

p1

## AIR CLEANER

REF	PN	QTY	DESCRIPTION	USAGE
1	92037141	1	AIR CLEANER	
2	92041648	1	ELEMENT	Filter, Assembly Safety
3	92041646	1	ELEMENT	Filter, Assembly Primary
4	92153718	1	COVER	Assembly- Twist Lock Type
5	92041650	1	VALVE	Vac
6	92041649	1	CLAMP	Monting Assy. 8 Inch
7	92153719	1	ADAPTER	
8	92041651	1	INDICATOR	Restriction
9	92167383	1	CLAMP	Dust Valve

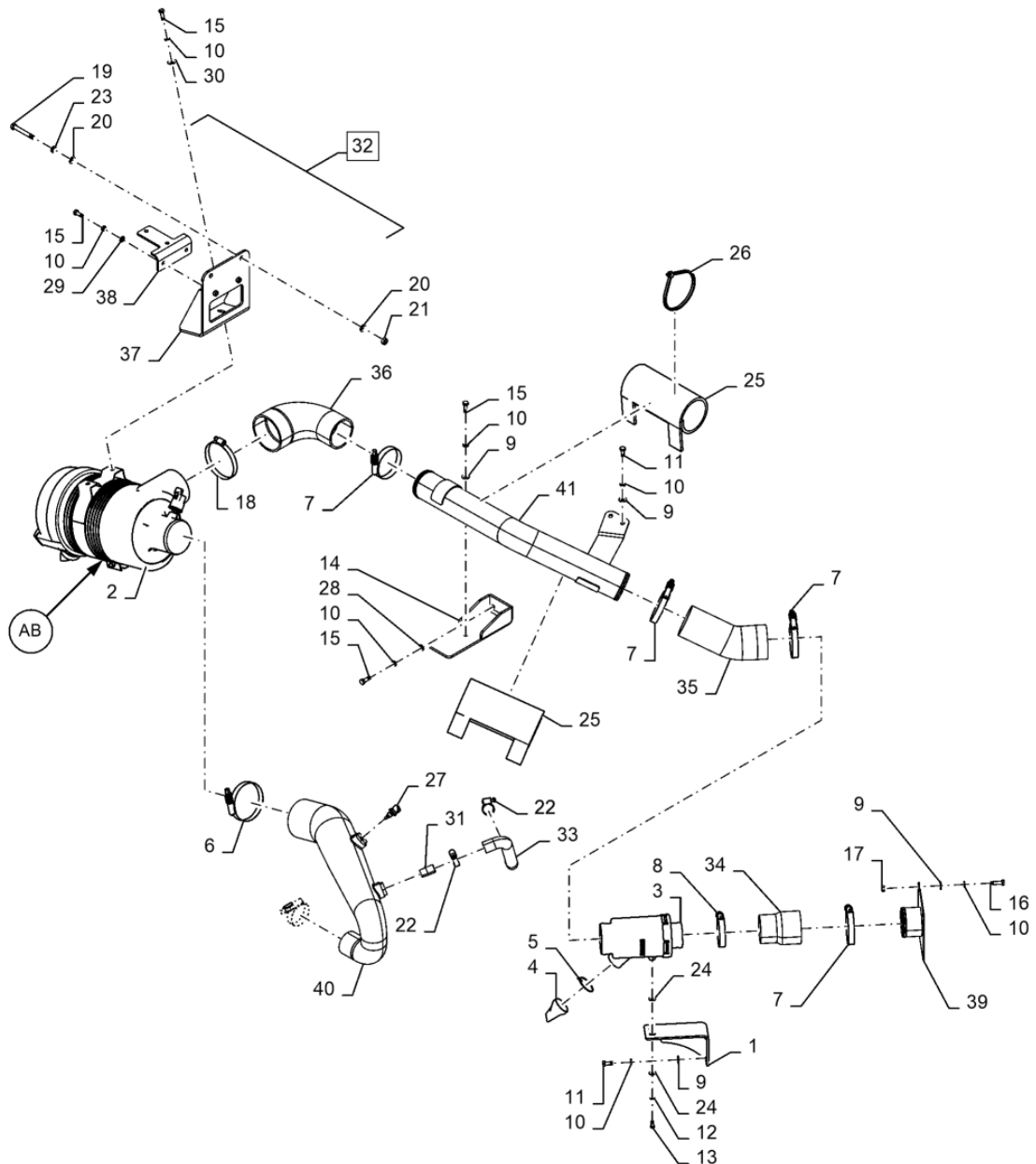
AIR INTAKE MOUNTING



## AIR INTAKE MOUNTING

REF	PN	QTY	DESCRIPTION	USAGE
1	92047585	1	BRACKET	Cegra, Precleaner Support
2	92037141	1	AIR CLEANER	
3	47853052	1	AIR PRE-CLEANER ASSY	Assy
4	48029859	1	VALVE	Dust Unloader
5	48029858	1	CLIP	Wire
6	90382089	1	HOSE CLAMP	(Klipco83/105)
7	47420075	4	CLAMP	Hose, Worm Gear 70X92X16 Sst
8	47420074	1	CLAMP	Hose, Worm Gear 57X79X16 Sst
9	12646704	10	WASHER 8.15mm ID x 20mm OD x 2mm Thk	8.15X20X2 Cst Dac
10	892-11008	14	LOCK WASHER 8mm ID	8.3X14.8 Znd
11	120104	5	BOLT Hex, M8 x 1.25 x 20mm, Cl 8.8, Full Thd	M8X20 Full 8.8 Znd
12	892-11006	2	LOCK WASHER M6	6.3X11.8 Znd
13	10902221	2	BOLT Hex, M6 x 16mm, CL 8.8	
14	92264810	1	BRACKET	Cegra, Air Cleaner Tube Support
15	43127	5	BOLT Hex, M8 x 1.25 x 25mm, Cl 8.8, Full Thd	M8X25 Full 8.8 Znd
16	43128	4	BOLT Hex, M8 x 1.25 x 30mm, Cl 8.8, Full Thd	M8X30 Full 8.8 Znd
17	9706690	4	NUT Hex, M8 x 1.25, Cl 8, ZND	M8 8 Znd
18	86625034	1	HOSE CLAMP 90.4mm - 114.3mm, Worm Gear	F Wo/Linr 90.4X114.3X14.45
19	83931335	2	BOLT Hex, M10 x 1.5 x 75mm, Cl 8.8	M10X75 8.8 Znd
20	P00034611V	4	WASHER	10.5X21X2 Stl
21	86500689	2	NUT NUT M10 10 ZND	M10 10 Znd
22	514920	2	HOSE CLAMP 20.6mm - 38.1mm, Worm Gear	F Wo/Linr 20.6X38.1X14.45
23	892-11010	2	LOCK WASHER M10	10.4X18.1 Znd
24	12643721	4	WASHER 6.15mm ID x 18mm OD x 1.5mm Thk	6.15X18X1.5 R 80 Znd
25	51661968	2	HEAT SHIELD	Exhaust
26	L18331	6	CABLE TIE 375.9mm L, Nylon, Black	Cable Tie, Replaced By 87438046
27	84539252	1	SENSOR M12 x 1.5, -40 to +130 deg C, 2 wire	Air Temperature
28	895-11008	2	WASHER 9mm ID x 16mm OD x 1.6mm Thk	

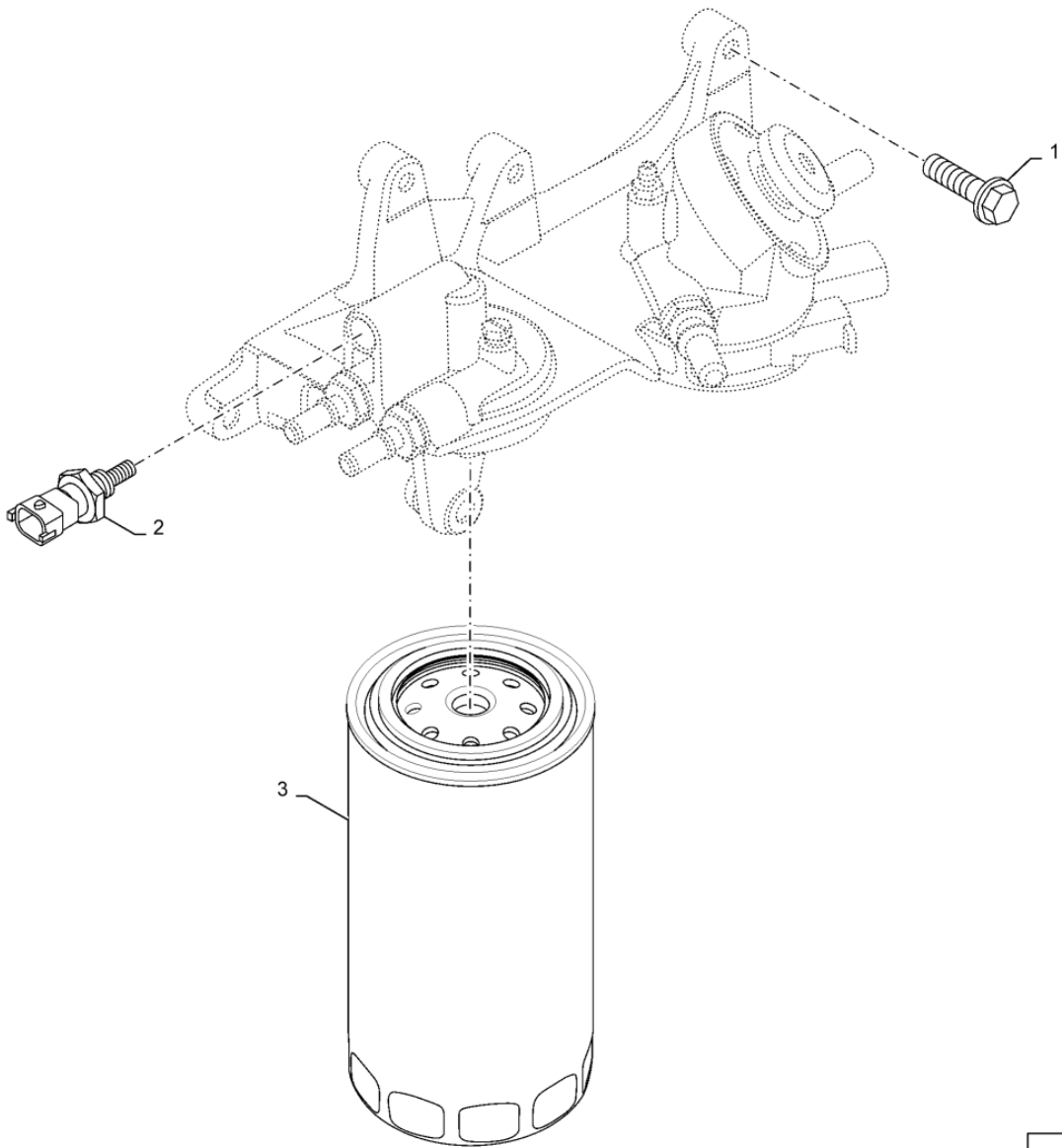
AIR INTAKE MOUNTING



## AIR INTAKE MOUNTING

REF	PN	QTY	DESCRIPTION	USAGE
29	P00034609T	2	WASHER	8.4X17X1.6 Stl
30	V002200/01508	2	WASHER	
31	51677236	1	NIPPLE	
32	92060195	1	AIR INTAKE	Incl 10,15,29,38,39
33	92032217	1	HOSE	CCV, 952NX
34	92047157	1	HOSE	Pre Cleaner Intake
35	92038767	1	HOSE	Pre Cleaner To Intake Tube
36	92044878	1	HOSE	Pre Cleaner Tube To Air Cleaner
37	92047582	1	BRACKET	Cegra, Air Cleaner Support
38	92060143	1	BRACKET	Cegra, Air Cleaner Support
39	92046947	1	PLATE	Pwrtan, Precleaner Intake
40	92050451	1	TUBE	Air Intake, Aircleaner To Turbocharger
41	92049356	1	AIR INTAKE TUBE	Weld

FUEL FILTER, SUPPORT



**10.206.AG [01]**

p1

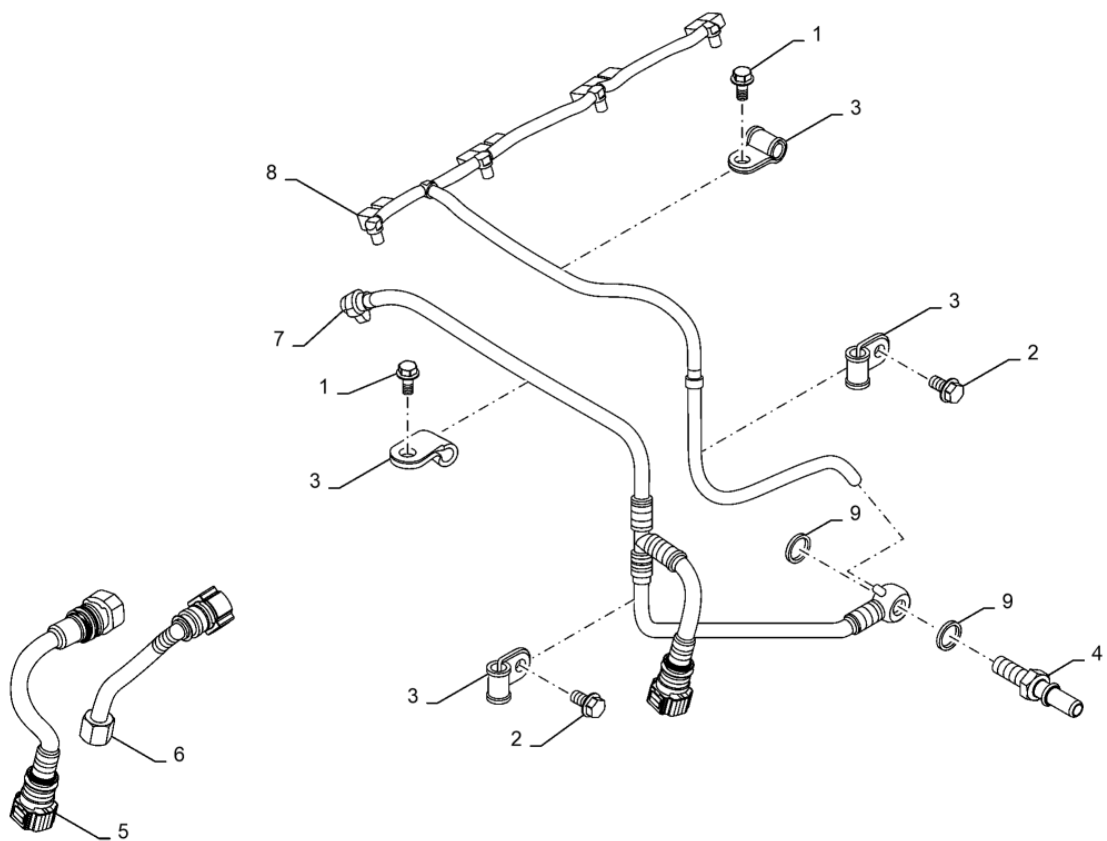
**FUEL FILTER, SUPPORT**

REF	PN	QTY	DESCRIPTION	USAGE
1	16586724	4	SCREW M8 x 1.25 x 40mm	
1	16586725	4	BOLT Hex, M8 x 1.25 x 40mm	Screw
2	500382599	1	SENSOR WATER/FUEL/OIL TEMPERATURE SENSOR	Coolaint Water
3	5803025427	1	CARTRIDGE, FUEL FILT	Cartr
3	5803381027	1	FUEL FILTER	

10.210.AF [01]

p1

LINE, FUEL PIPE



**10.210.AF [01]**

p1

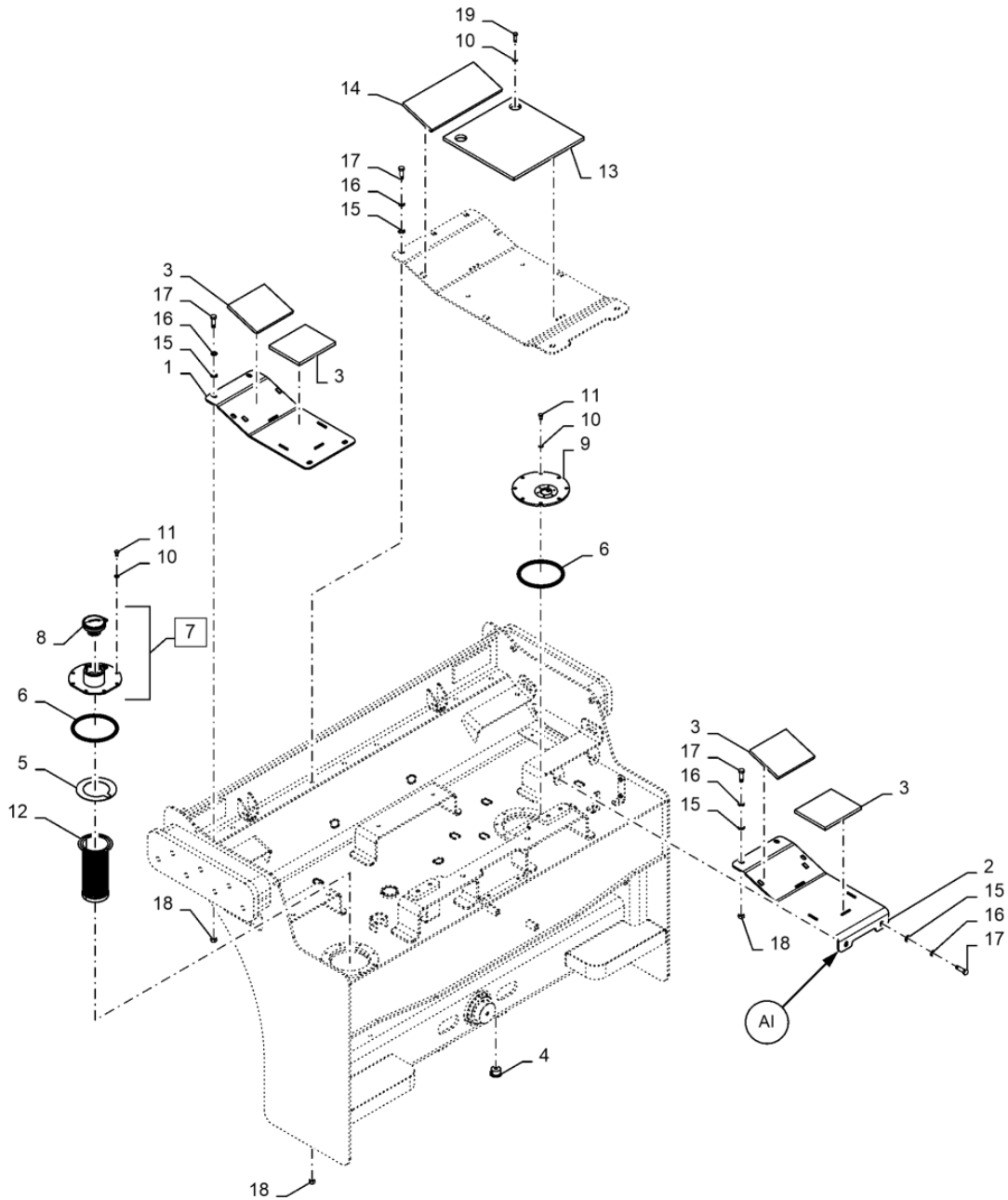
**LINE, FUEL PIPE**

REF	PN	QTY	DESCRIPTION	USAGE
1	16585724	2	FLANGE BOLT M6 x 16mm, Cl 8.8	
2	16600224	2	SCREW Hex, M8 x 1.25 x 18mm	Screw
3	17316490	4	COLLAR	clip
4	5802885209	1	FITTING	
5	5802885212	1	FUEL TUBE	
6	5802885215	1	FUEL TUBE	
7	5802885216	1	FUEL TUBE	
8	5802885609	1	FUEL TUBE	
9	98474305	2	SEALING WASHER	

10.216.AA [01]

p1

FUEL TANK



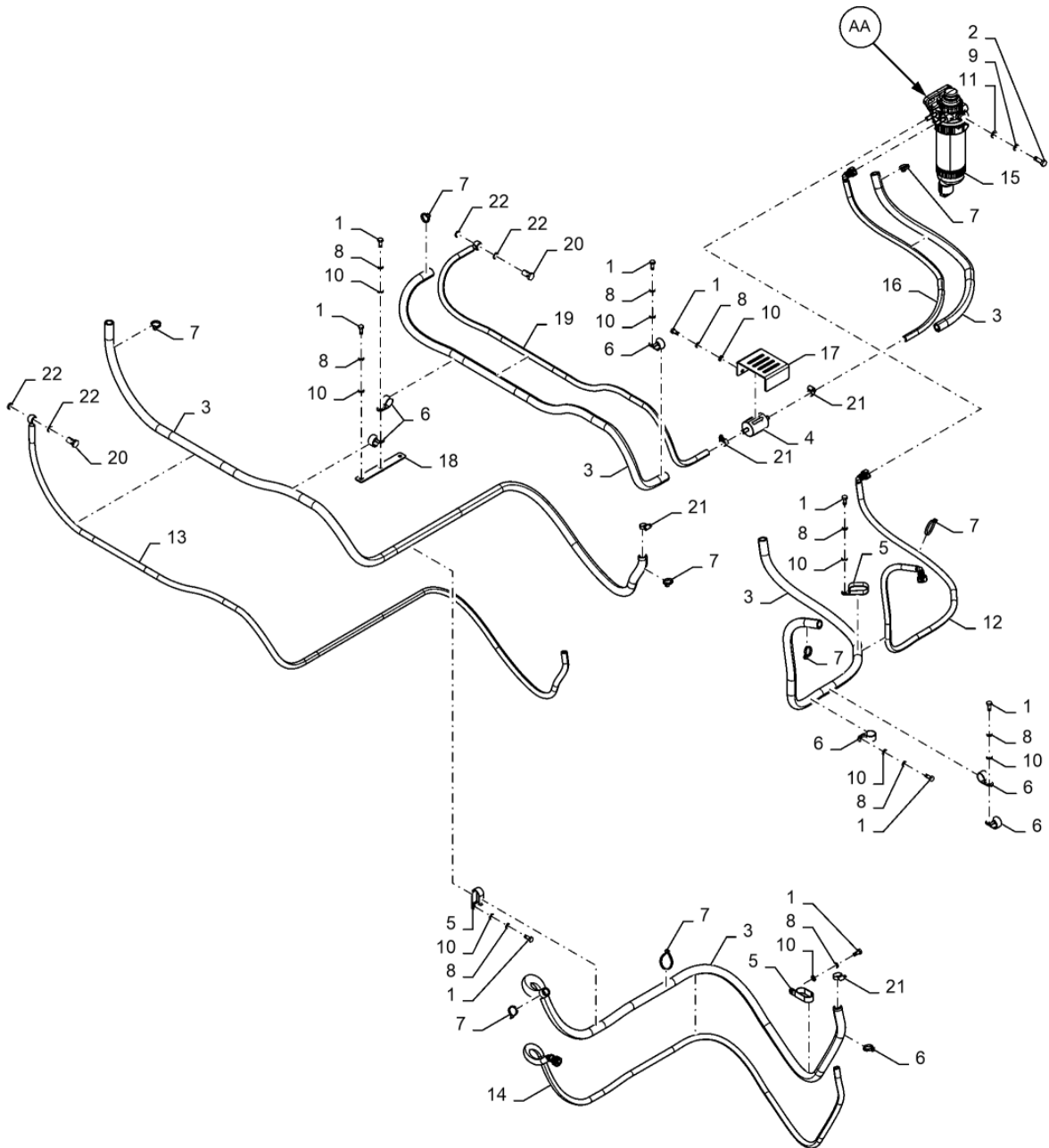
**10.216.AA [01]**

p1

**FUEL TANK**

REF	PN	QTY	DESCRIPTION	USAGE
1	92041326	1	SUPPORT	Water Tank, Rh, Pwrtan
2	92041327	1	TANK	Pwrtan, Support Lh, Water
3	47841626	4	PAD	Rubber, Plastic Tank Front
4	85801251	1	MAGNETIC PLUG M33 x 2	
5	48063311	1	PLATE	Fuel Strainer Holding
6	47558946	2	O-RING	Hyd Tank 1107Dx
7	51504662	1	FILLER NECK	Assy, Fuel, Incl 8
8	51504669	1	FILLER CAP	Fuel
9	47899261	1	MOUNTING PLATE	Fls, Machined
10	11193879	18	WASHER M8 Bolt Size x 16mm OD x 1.4mm Thk	Belleville, 8.4X16, Znm
11	120103	16	BOLT M8 x 1.25 x 16mm, Cl 8.8	M8X16 Full 8.8 Znd
12	48063306	1	FILTER STRAINER	
13	92041029	1	PAD	Rubber, Plastic Tank Central
14	92041030	1	PAD	Rubber, Plastic Tank Central
15	P00034613X	15	WASHER	13X24X2.5 Stl
16	892-11012	15	LOCK WASHER M12	12.4X21.1 Znd
17	337563	15	BOLT Hex, M12 x 1.75 x 40mm, Cl 10.9, Full Thd	M12X40 Full 10.9 Znd
18	337475	7	NUT Hex, M12 x 1.75, Cl 10, ZND	M12 10 Znd
19	43128	2	BOLT Hex, M8 x 1.25 x 30mm, Cl 8.8, Full Thd	M8X30 Full 8.8 Znd

FUEL LINES



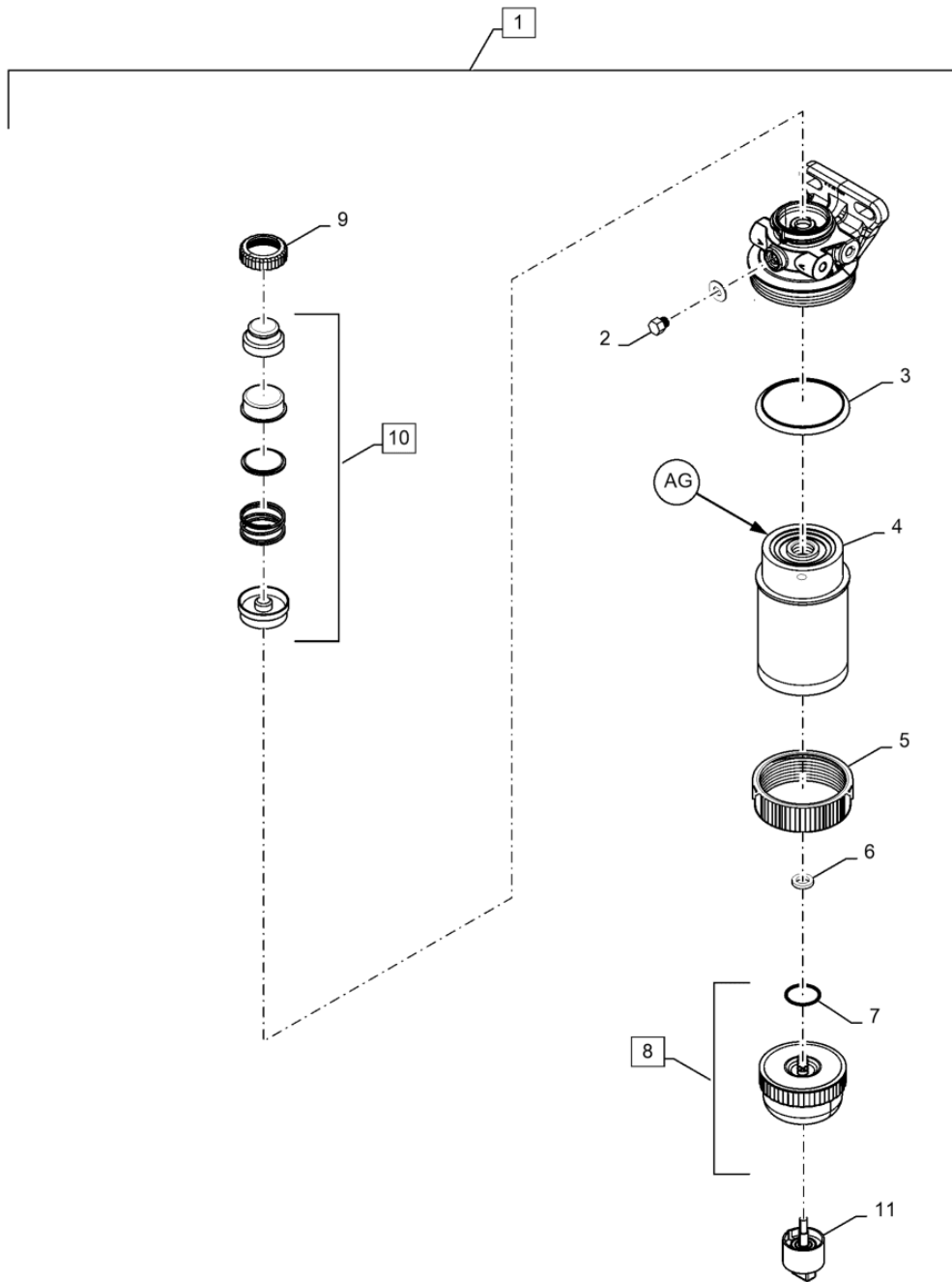
**10.216.BA [01]**

p1

**FUEL LINES**

REF	PN	QTY	DESCRIPTION	USAGE
1	120104	14	BOLT Hex, M8 x 1.25 x 20mm, Cl 8.8, Full Thd	M8X20 Full 8.8 Znd
2	43140	2	BOLT Hex, M10 x 1.5 x 30mm, Cl 8.8, Full Thd	M10X30 Full 8.8 Znd
3	47589124	5	GUARD	Hose
4	51548222	1	FILTER STRAINER	Suction
5	600427	4	CLAMP 25.4mm, Coat, 8.7mm Bolt Hole, P Type	Closed 25.4Mm 2 Insul M8 Bolt
6	86637977	10	CLAMP 25.4mm, Coat, 8.7mm Bolt Hole, P Type	Closed 25.4Mm Insul 5/16 Bolt
7	87000312	14	CABLE TIE 4.8mm W x 203.2mm OAL, Nylon	6.7X.18 In, Nylon, Black
8	892-11008	14	LOCK WASHER 8mm ID	8.3X14.8 Znd
9	892-11010	2	LOCK WASHER M10	10.4X18.1 Znd
10	895-11008	14	WASHER 9mm ID x 16mm OD x 1.6mm Thk	
11	895-11010	2	WASHER 11mm ID x 20mm OD x 2mm Thk	
12	92031765	1	FUEL HOSE	Filter To Engine
13	92031780	1	FUEL HOSE	Cooler To Tank
14	92036459	1	FUEL HOSE	Eng To Cooler
15	92038135	1	FUEL FILTER	
16	92042339	1	FUEL HOSE	Baby Filter To Fuel Filter
17	92048647	1	COVER	Cegra, Baby Filter
18	92058458	1	PLATE	Cegra
19	92172874	1	FUEL HOSE	Tank To Baby Filter
20	BU3300001	2	BANJO BOLT	M14X1.5
21	BU3690016	4	HOSE CLAMP	Klipco 00
22	BU4520001	4	WASHER	Copper 14 18 (50508.11.

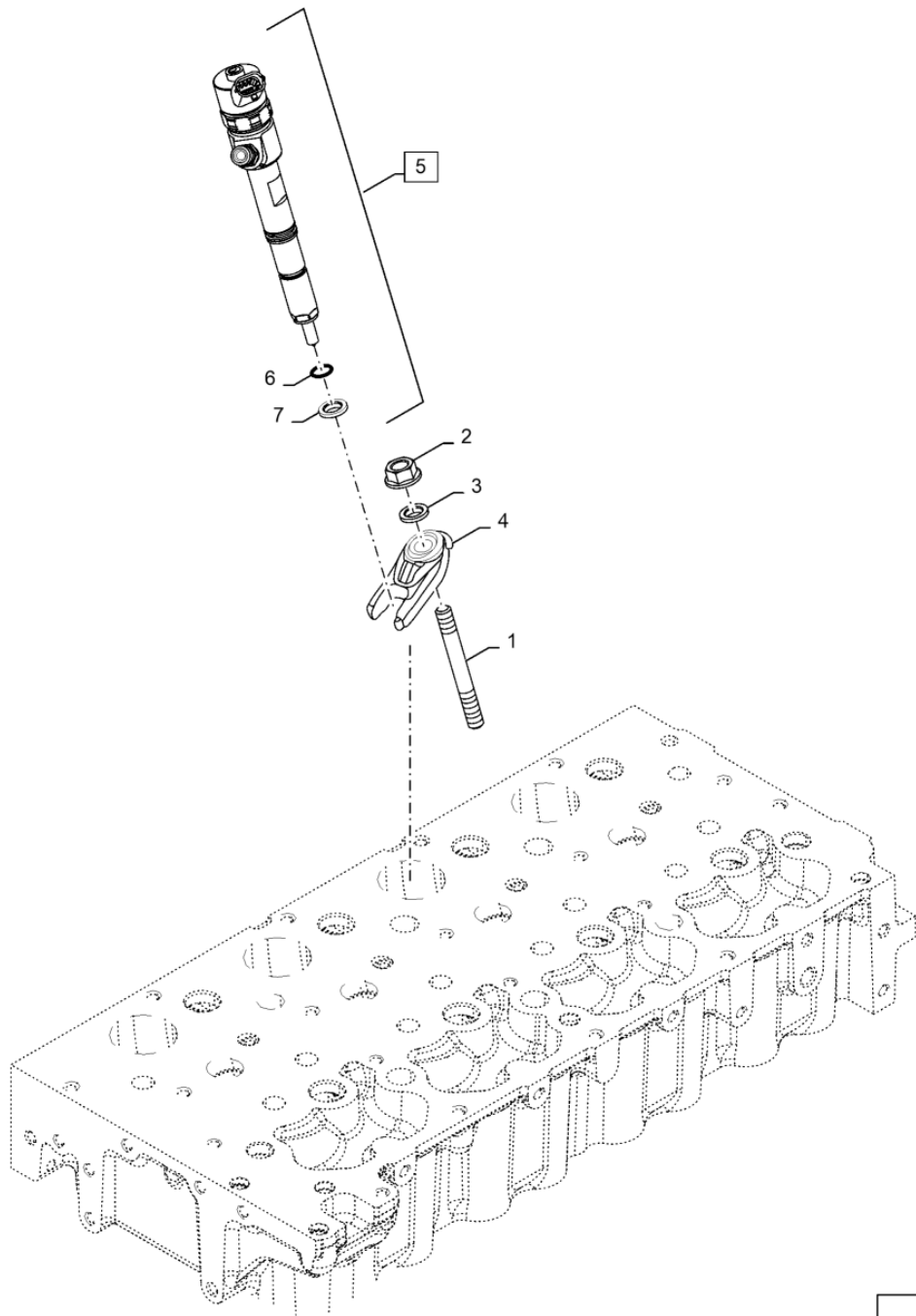
FILTER, FUEL



## FILTER, FUEL

REF	PN	QTY	DESCRIPTION	USAGE
1	92038135	1	FUEL FILTER	Incl 2 - 10
2	92154358	1	PLUG	Air Vent
3	87840171	6	SEAL	Dust
4	92070036	1	ELEMENT	Filter
5	87840170	6	LOCKING RING	Retaining
6	87612469	6	SEALING WASHER	Seal
7	87612471	10	SEAL	Water Bowl
8	87801005	1	KIT	Filter, Fuel, Bowl Module-Stanadyne
9	87840173	6	RETAINER	Nut, Cap
10	87612472	1	FLOW CONTROL VALVE	Reverse
11	87612475	1	SENSOR WIF	Kit, Sigmar Wif

FUEL INJECTOR



**10.218.AF [01]**

p1

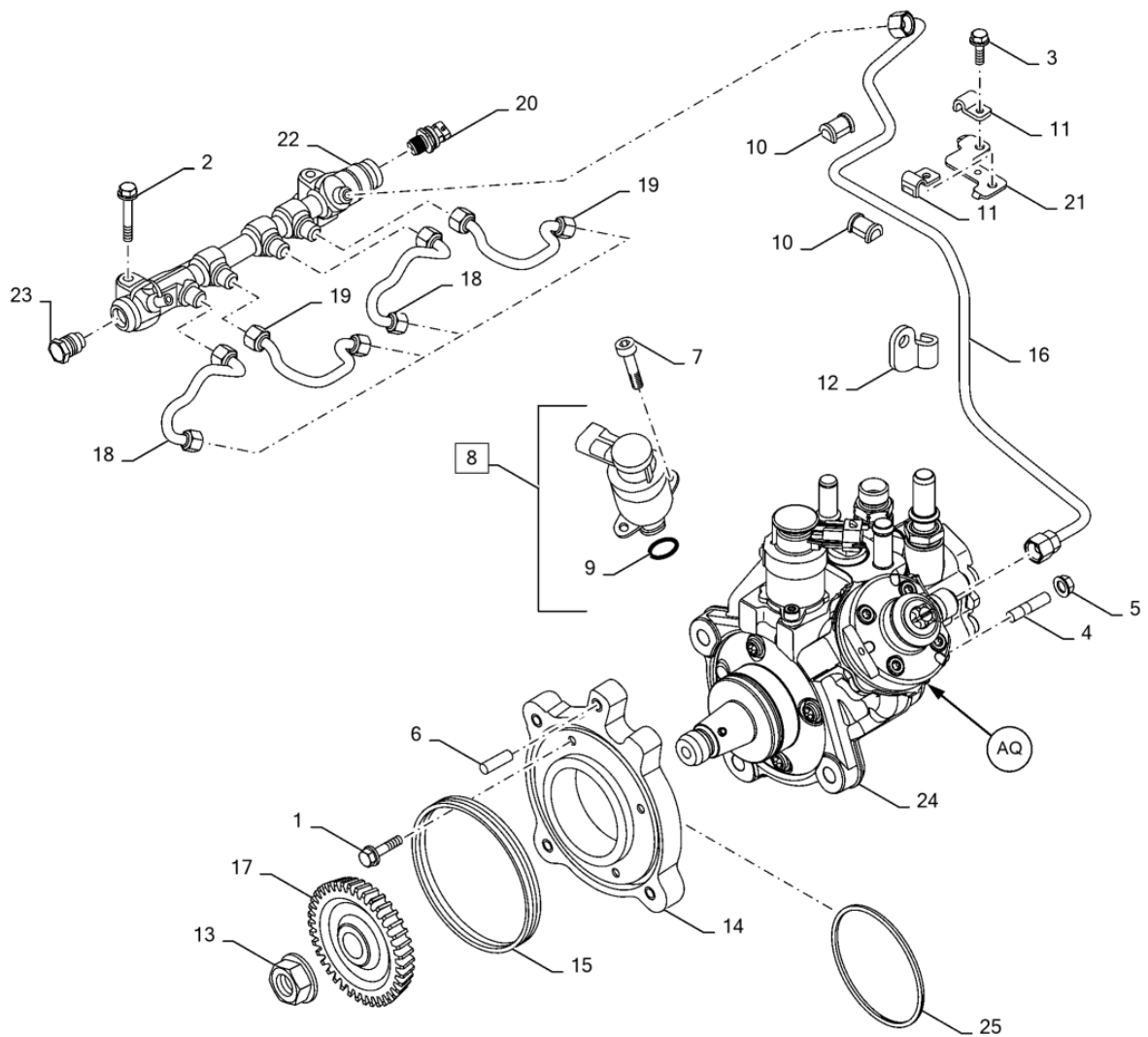
**FUEL INJECTOR**

REF	PN	QTY	DESCRIPTION	USAGE
1	16730224	4	STUD	
2	17044735	4	NUT Hex, M8	
3	500353601	4	WASHER	
4	5802886274	4	BRACKET	
5	5802926889	4	INJECTOR, EMISSIONS	
6	8097986	4	O-RING	
7	8099055	4	SEALING WASHER	

10.218.AI [01]

p1

FUEL INJECTION PUMP, PIPE



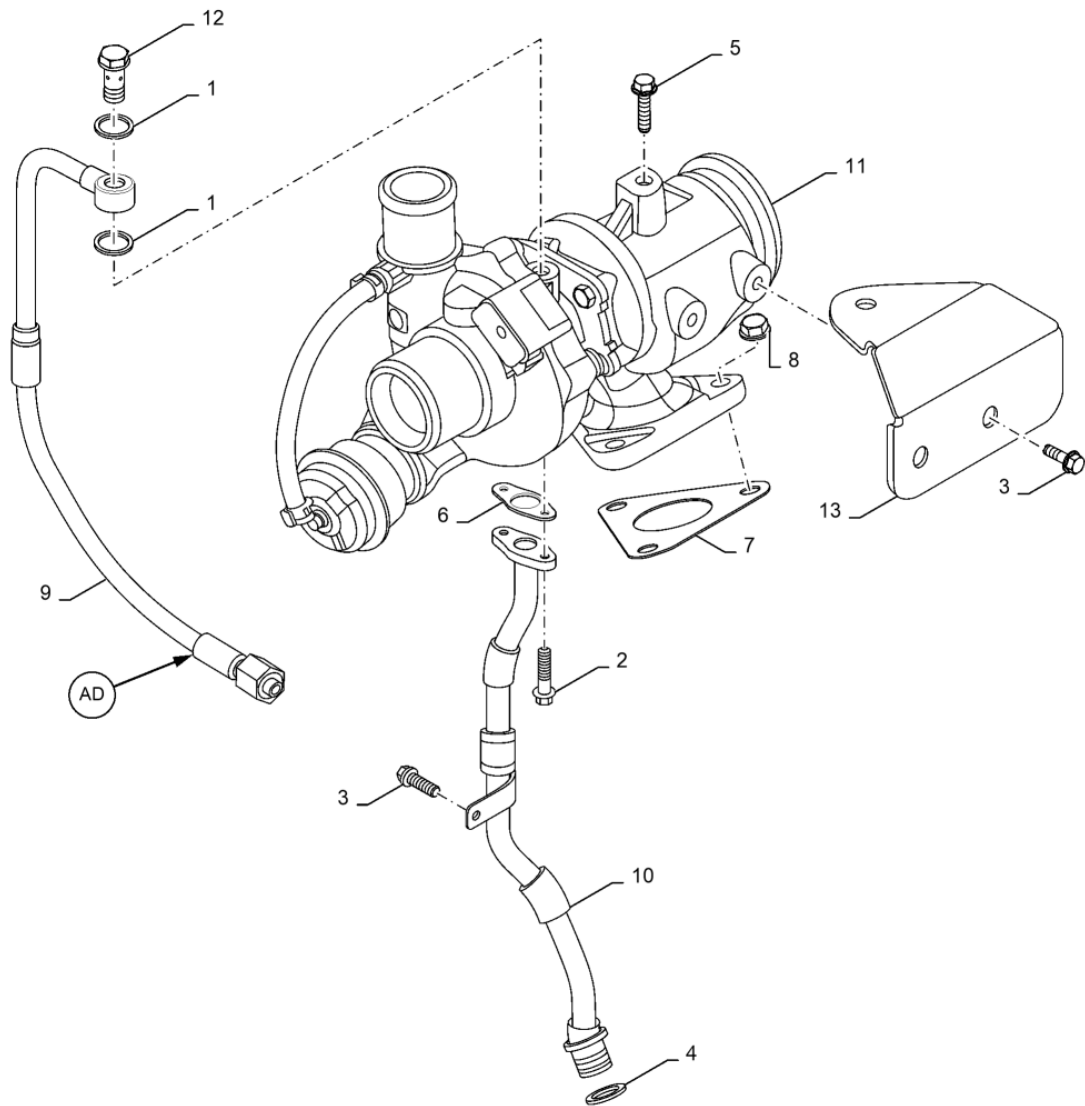
**10.218.AI [01]**

p1

**FUEL INJECTION PUMP, PIPE**

REF	PN	QTY	DESCRIPTION	USAGE
1	16585724	4	FLANGE BOLT M6 x 16mm, CI 8.8	
2	16592525	2	BOLT M8 x 1.25 x 70mm	Screw
2	16592524	2	BOLT Hex, M8 x 70mm	
3	16596925	3	BOLT M6 x 12mm	
3	16596924	3	BOLT Hex, M6 x 10mm, CI 8.8	
4	16729534	3	STUD	
4	16729524	3	STUD	
5	17044724	3	NUT	
6	17238514	1	PIN	Spina Cilindrica
7	42567118	2	HEX SOC SCREW	
8	42574911	1	CONTROL VALVE	
9	42583504	1	O-RING	
10	504045458	2	WASHER	Rubber
11	504116668	2	BRACKET	
12	5801555842	1	BRACKET	
13	5801732980	1	NUT	
14	5802885615	1	FLANGE	
15	5802885618	1	RUBBER SEAL	
16	5802885624	1	FUEL TUBE	
17	5802885626	1	GEAR	For Hpp Z=38
18	5802885729	2	INJECTION PIPE	
19	5802885733	2	INJECTION PIPE	
20	5802889340	1	SENSOR	Rail Pressure
21	5803312672	1	BRACKET	
21	5802895463	1	BRACKET	
22	5802949372	1	ACCUMULATOR	
23	5802952577	1	SENSOR	Rail Pressure Valve
24	5803014776	1	FUEL INJECTION PUMP	
25	8097979	1	O-RING	
AQ		-		

TURBOCHARGER, PIPE



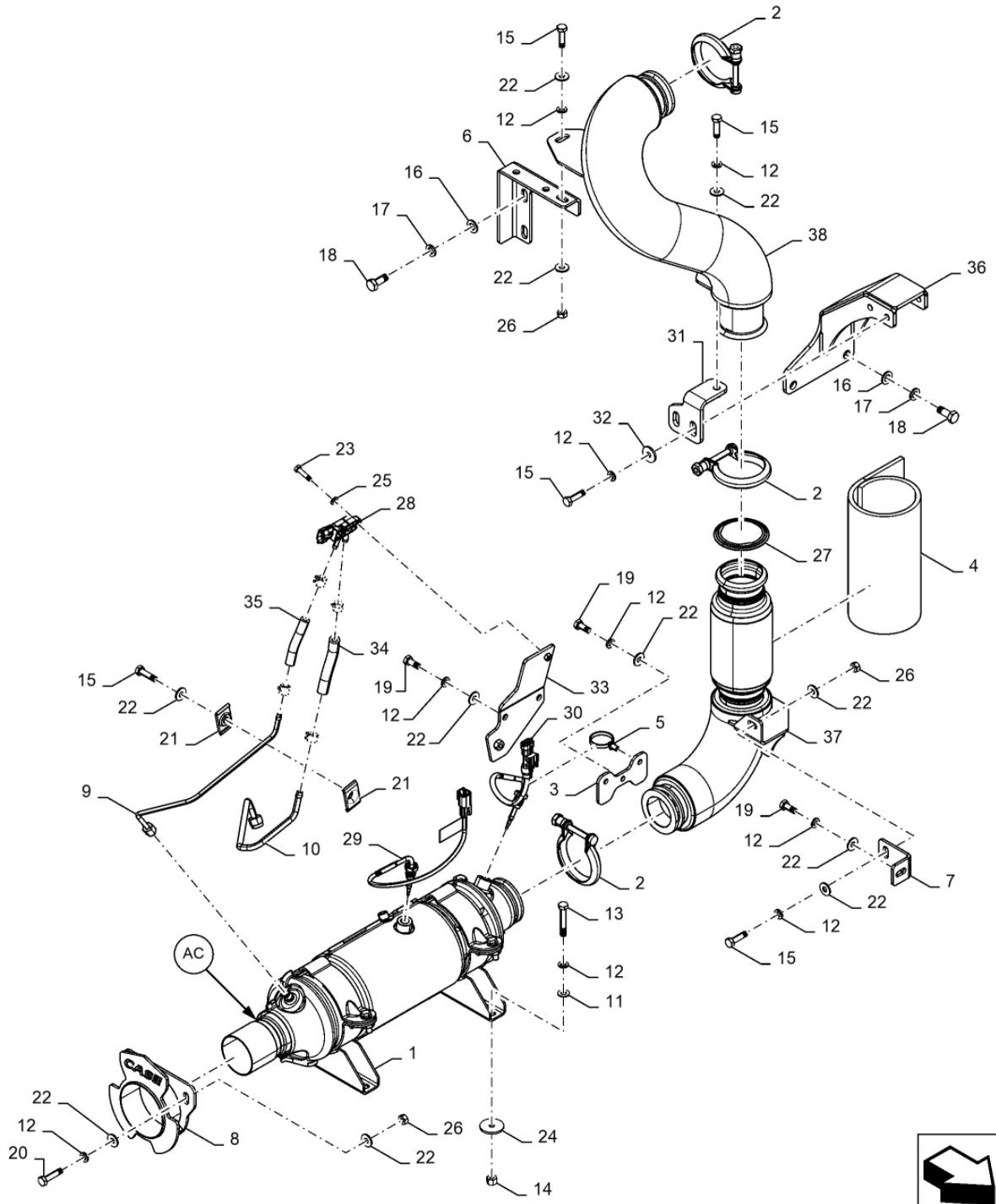
# 10.250.AC [01]

p1

## TURBOCHARGER, PIPE

REF	PN	QTY	DESCRIPTION	USAGE
1	16550760	2	WASHER	
2	16585870	2	SCREW Hex, M6 x 20mm	
2	16286124	2	FLANGE BOLT M6 x 20mm, 8.8 DAC	
2	16585824	2	BOLT Hex, M6 x 20mm	
3	16596925	3	BOLT M6 x 12mm	
3	16596924	3	BOLT Hex, M6 x 10mm, CI 8.8	
4	17281881	2	O-RING 17.12mm ID x 2.62mm Thk, FKM	
5	18222124	1	FLANGE BOLT Hex, M8 x 12mm, CI 8.8	
6	504377006	1	GASKET	
7	5802885741	1	GASKET	
8	5802885742	3	NUT	
9	5803341821	1	PIPE	turbo Oil, Supply Line
10	5802885755	1	PIPE	
11	5802885882	1	TURBOCHARGER	
12	5802919232	1	UNION	
13	5802946555	1	SHROUD	

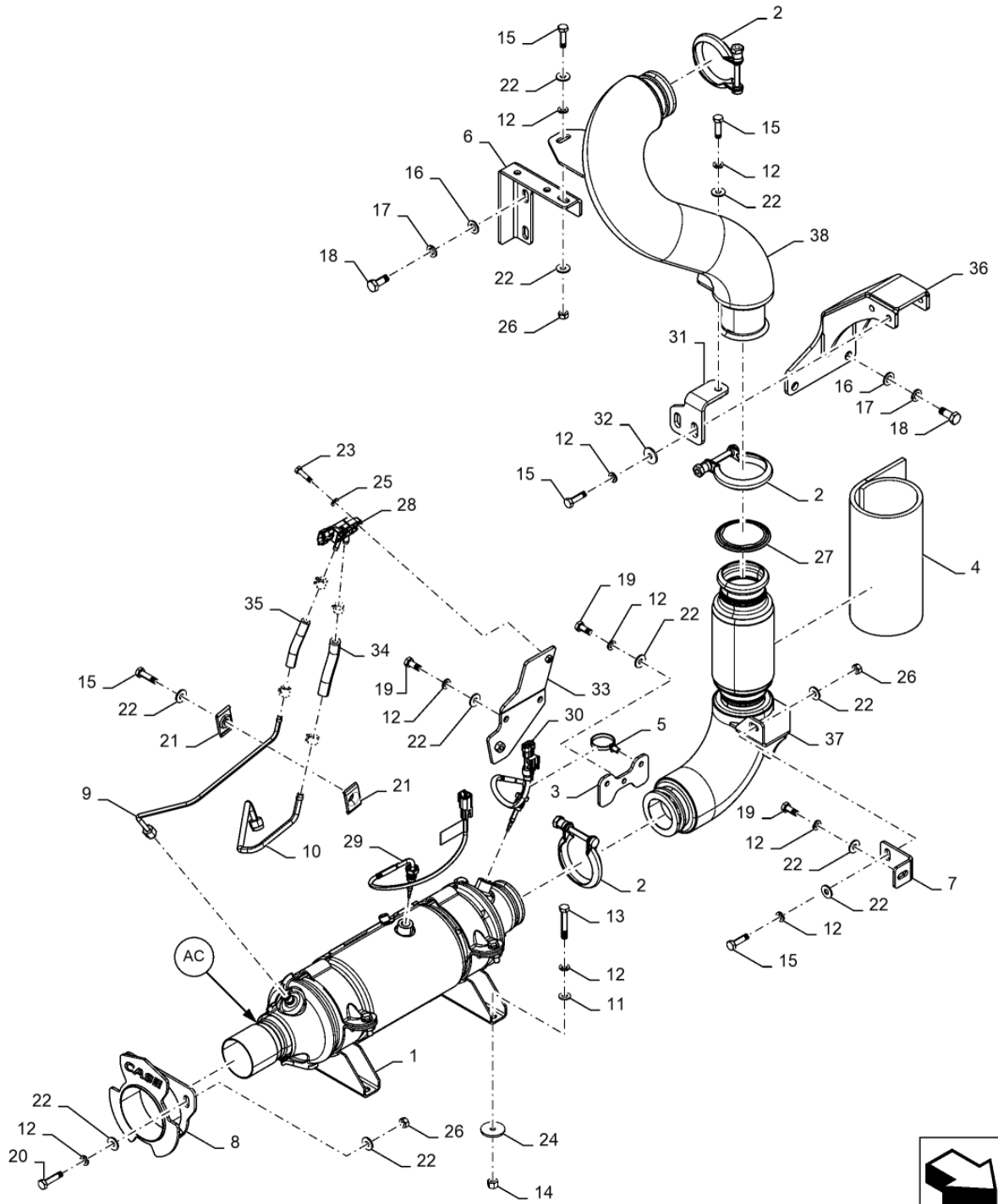
EXHAUST SYSTEM



## EXHAUST SYSTEM

REF	PN	QTY	DESCRIPTION	USAGE
1	5802559715	1	FILTER PARTICULATE	Catalyst, 55Kw Doc-Dpf
2	84409146	3	PIPE CLAMP 63.5mm - 70mm	Hose, V Band 81X20 Sst
3	92217553	1	BRACKET	Cegra, Ats Sensor Mounting
4	51661968	1	HEAT SHIELD	Heat, Exhaust
5	87668737	2	CABLE TIE 203.2mm L, Nylon, Black	8X.18 In, Nylon, Black
6	91895921	1	BRACKET	Support, Turbo To Flex, Blk
7	91895923	1	BRACKET	L, Support, Flex To Doc, Blk
8	92187842	1	TUBE	Exhaust Outlet, Blk
9	92038831	1	PIPE	Outlet, Dpf Sensor
10	92038830	1	PIPE	Inlet, Dpf Sensor
11	14496521	4	WASHER 8.4mm ID x 17mm OD x 1.6mm Thk	8.4X17X1.6 R 80 Znd
12	892-11008	16	LOCK WASHER 8mm ID	8.3X14.8 Znd
13	43130	4	BOLT Hex, M8 x 1.25 x 50mm, CI 8.8	M8X50 8.8 Znd
14	832-10408	4	LOCK NUT M8 x 1.25, CI 8.8	Prev Torque, Replaced By 412250
15	43128	6	BOLT Hex, M8 x 1.25 x 30mm, CI 8.8, Full Thd	M8X30 Full 8.8 Znd
16	895-11010	4	WASHER 11mm ID x 20mm OD x 2mm Thk	
17	892-11010	4	LOCK WASHER M10	10.4X18.1 Znd
18	43139	4	BOLT M10 x 1.5, 25mm L CI8.8 Full Thread	M10X25 Full 8.8 Znd
19	120104	4	BOLT Hex, M8 x 1.25 x 20mm, CI 8.8, Full Thd	M8X20 Full 8.8 Znd
20	412479	3	BOLT Hex, M8 x 1.25 x 35mm, CI 8.8	M8 X 35 8.8 Znd
21	84541425	2	CLAMP 10mm, 25mm Thk B Type	Plate, Mounting, Low Carbon Steel
22	12646704	16	WASHER 8.15mm ID x 20mm OD x 2mm Thk	8.15X20X2 Cst Dac
23	86977786	1	BOLT Hex, M6 x 1 x 25mm, CI 8.8	M6X25 Full 8.8 Znd
24	12646204	4	WASHER 8.15mm ID x 35mm OD x 3mm Thk, CST, DAC	8.15X35X3 Cst Dac
25	14496431	1	WASHER 6.4mm ID x 12.5mm OD x 1.6mm Thk, HTS, ZND	6.4X12.5X1.6 Hts Znd
26	825-1408	5	NUT M8, CI 8	
27	47489270	1	GASKET 58.9mm ID	Exhaust, 2.5 Inch
28	92035820	1	SENSOR	Dpf Delta Pressure

EXHAUST SYSTEM



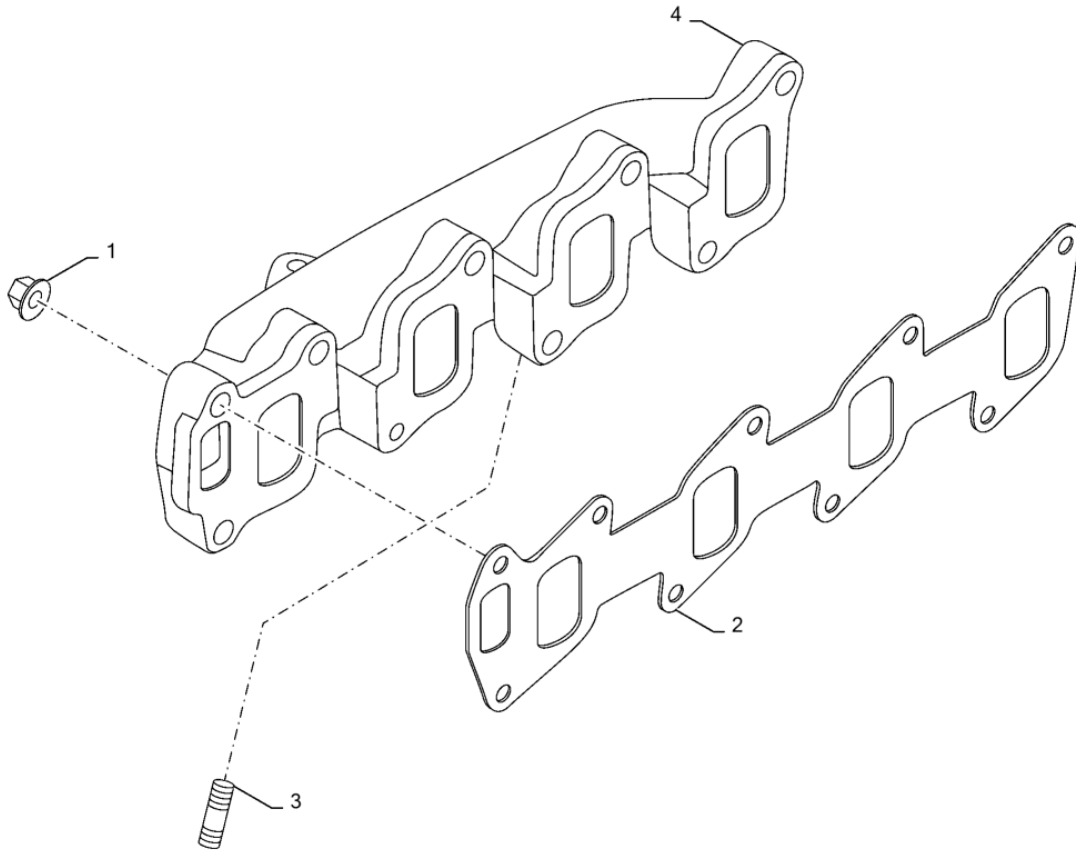
## EXHAUST SYSTEM

REF	PN	QTY	DESCRIPTION	USAGE
29	47602266	1	SENSOR TEMP, EGT, 240mm Cable L	Temp, Egt, 35Mm Closed, Deutsch
30	47478868	1	TEMPERATURE SENDER 35mm, Closed	Egt, 35Mm Closed
31	92240766	1	BRACKET	L, Flex End, Blk
32	12647029	2	WASHER 8.15mm ID x 25mm OD x 2.5mm Thk, R80, BZN	8.15X25X2.5 R 80 Bzn
33	92038834	1	BRACKET	Clamp Dpf Sensor, Blk
34	92038833	1	HOSE	Inlet, Dpf Sensor
35	92038832	1	HOSE	Outlet, Dpf Sensor
36	92240718	1	BRACKET	Support, Flex End, Blk
37	92179581	1	TUBE	Assy, Exhaust Lower, Blk
38	92166435	1	TUBE	Assy, Doc Upper, Blk

10.254.AC [02]

p1

EXHAUST MANIFOLD, GASKET



**10.254.AC [02]**

p1

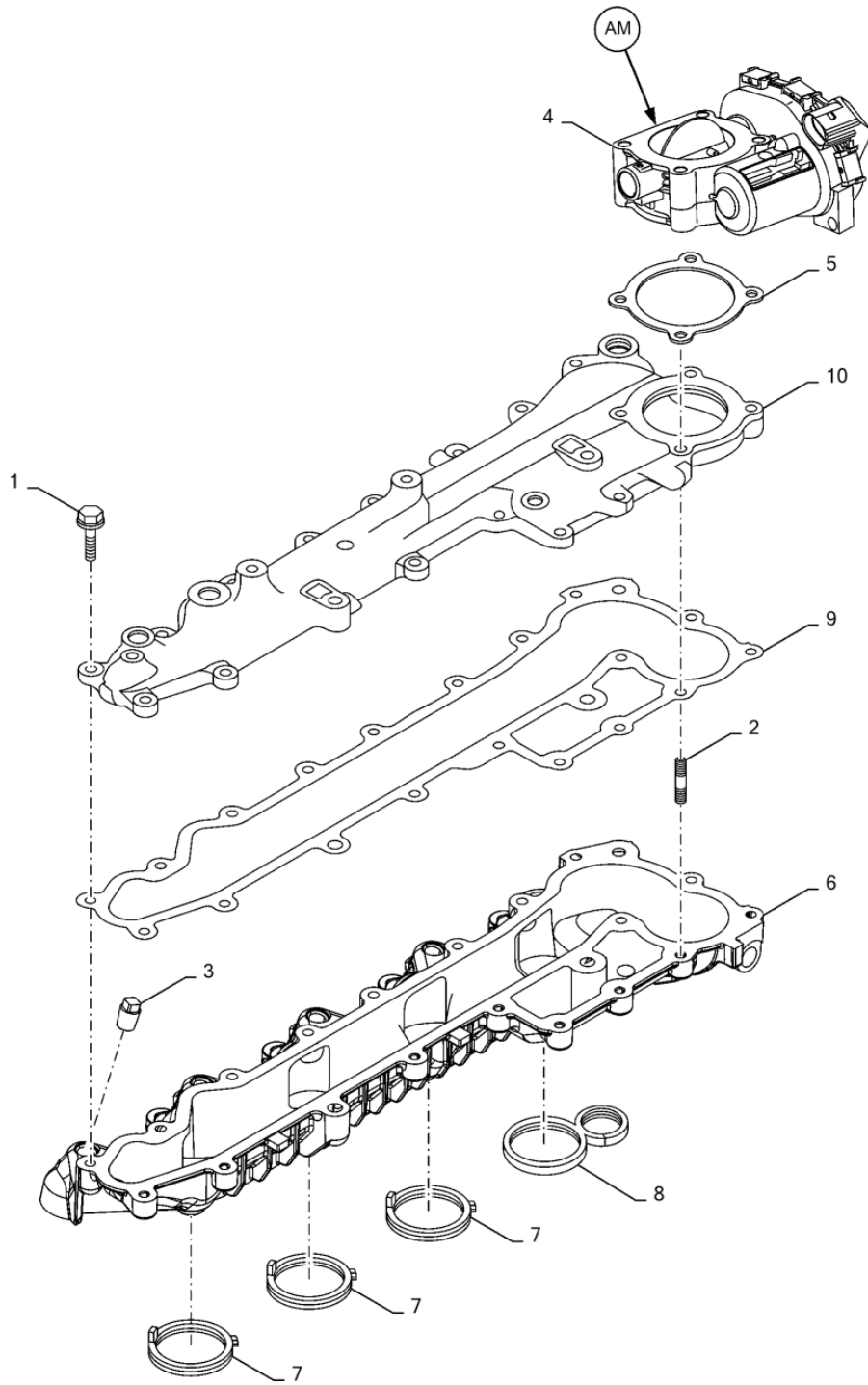
**EXHAUST MANIFOLD, GASKET**

REF	PN	QTY	DESCRIPTION	USAGE
1	504294819	9	NUT	
2	5802884314	1	GASKET	
3	5802884315	3	SCREW	
4	5803213657	1	EXHAUST MANIFOLD	

10.254.AM [01]

p1

INTAKE MANIFOLD & VALVE HOUSING



**10.254.AM [01]**

p1

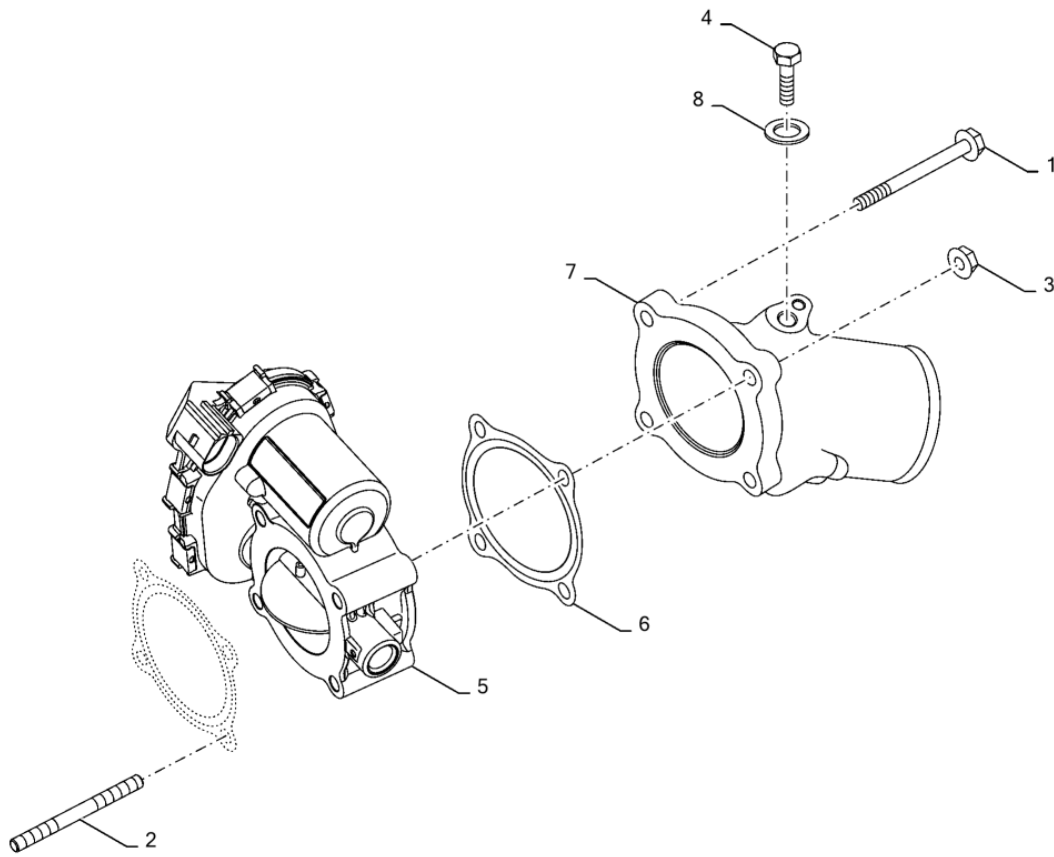
**INTAKE MANIFOLD & VALVE HOUSING**

REF	PN	QTY	DESCRIPTION	USAGE
1	16585821	22	SCREW	
1	16585870	22	SCREW Hex, M6 x 20mm	
2	16746120	4	SCREW	Long Root Stud - M6X80 - 8.8
2	16746121	4	SCREW	Long Root Stud - M6X80 - 8.8
3	504273002	4	PLUG M12 x 1.5	
4	5802105127	1	VALVE BODY THROTTLE VALVE BODY	
5	5802765886	1	GASKET	
6	5802884236	1	INLET MANIFOLD	
7	5802884244	3	RUBBER SEAL	
8	5802884245	1	RUBBER SEAL	
9	5802884246	1	GASKET	
10	5802884247	1	INLET MANIFOLD	

10.254.AM [02]

p1

GASKET, ELBOW, INTAKE



**10.254.AM [02]**

p1

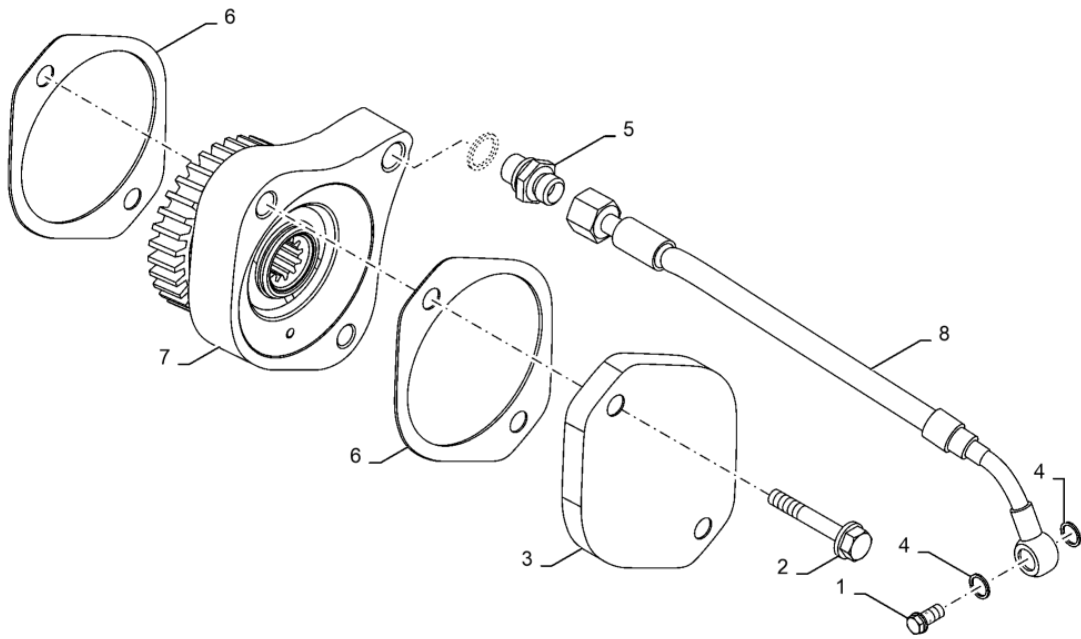
**GASKET, ELBOW, INTAKE**

REF	PN	QTY	DESCRIPTION	USAGE
1	16597724	1	SCREW Hex, M6 x 80mm, Cl 8.8	Hexagon Bolt
2	16746121	4	SCREW	Long Root Stud - M6X80 - 8.8
3	17044631	3	FLANGE NUT	
4	18222124	1	FLANGE BOLT Hex, M8 x 12mm, Cl 8.8	
5	5802105127	1	VALVE BODY THROTTLE VALVE BODY	
6	5802765886	1	GASKET	
7	5802886326	1	INLET MANIFOLD	
8	98474303	1	WASHER 8mm ID x 14mm OD x 2.3mm Thk	

10.254.AM [03]

p1

POWER TAKEOFF & PTO COVER



**10.254.AM [03]**

p1

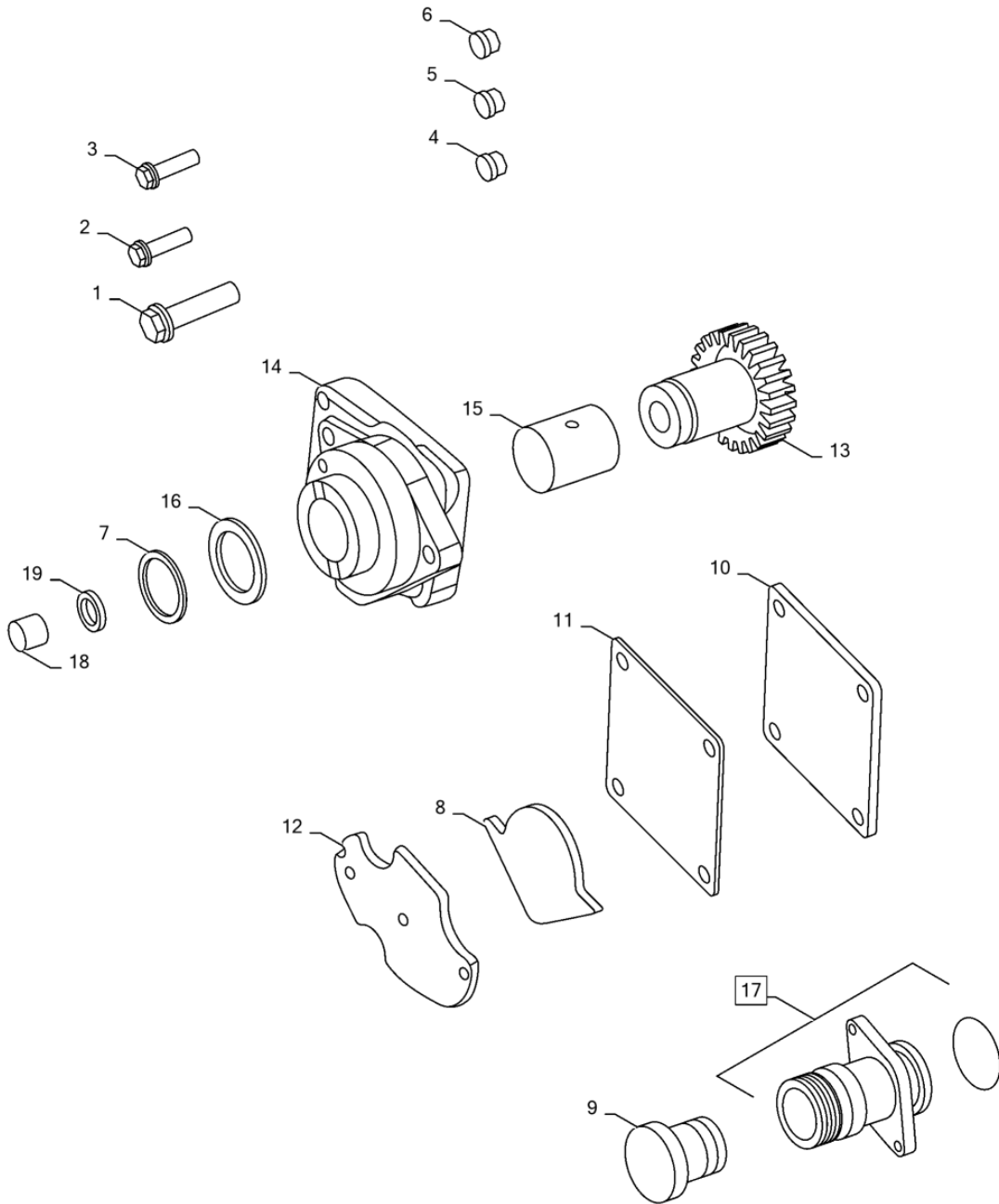
**POWER TAKEOFF & PTO COVER**

REF	PN	QTY	DESCRIPTION	USAGE
1	16511214	1	HYD CONNECTOR M12 x 1.5 x 24mm L, R50, ZND	Screw
2	16587625	2	BOLT M10 x 50mm	
2	16587624	2	SCREW M10 x 50mm	
3	504024782	1	COVER	
4	5801495064	2	SEAL	
5	5801518871	1	FITTING	
6	5802765899	2	GASKET	
7	5802886754	1	PTO	
8	5802893689	1	PIPE	Oil Line

10.254.AM [04]

p1

POWER TAKE-OFF (PTO) ADAPTOR



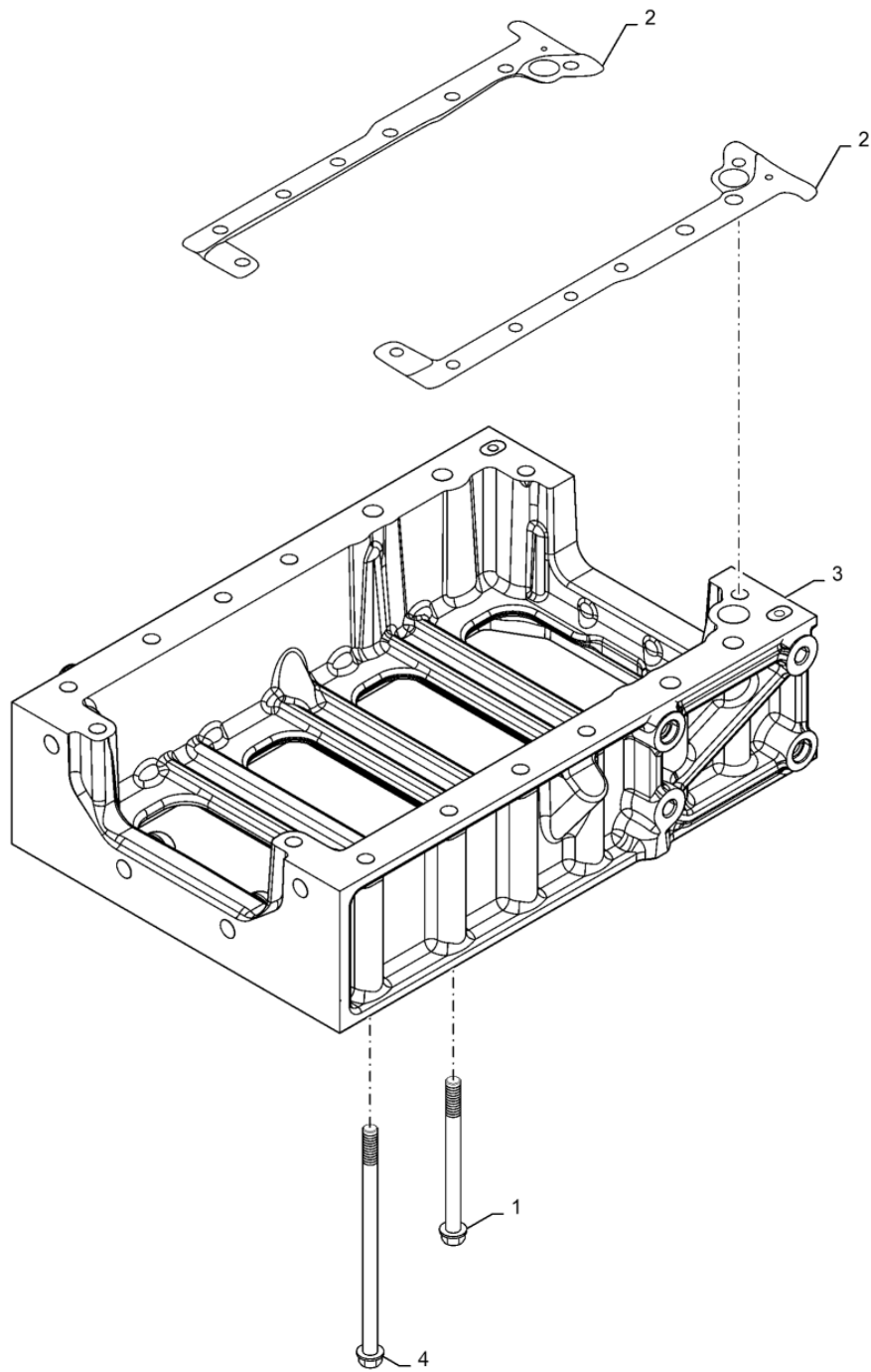
## POWER TAKE-OFF (PTO) ADAPTOR

REF	PN	QTY	DESCRIPTION	USAGE
1	16586324	3	FLANGE BOLT Hex, M8 x 20mm, Cl 8.8, Full Thd	
2	16597921	3	SCREW	Shoulder With Flange - M
3	16978121	3	SCREW	
4	16992111	1	PLUG	Male Threaded - M10X1
5	16992215	1	PLUG	Tappo
6	16993215	1	PLUG	
7	17853974	1	RING	Split Circlip
8	4895155	1	COVER	
9	4895378	1	BUTTON PLUG M29.2	
9	5803318863	1	EXPANSION PLUG	
10	504071685	1	COVER	
11	504320425	1	GASKET	
11	5803324015	1	GASKET	
12	5803155705	1	SHEET	Protection - Riparo Blow
13	5803191294	1	SHAFT	Splined Complete
14	5803191297	1	ADAPTER	Pto
15	5803191307	1	BUSHING	Bush
16	5803203963	1	WASHER	Shoulder
17	5803320358	1	PIPE	Oil Filling
18	7300019	4	DOWEL 0.75mm Thk	Stud-Hollow
19	99489016	1	GASKET	

10.304.AC [01]

p1

PLATE, OIL, SUMP



**10.304.AC [01]**

p1

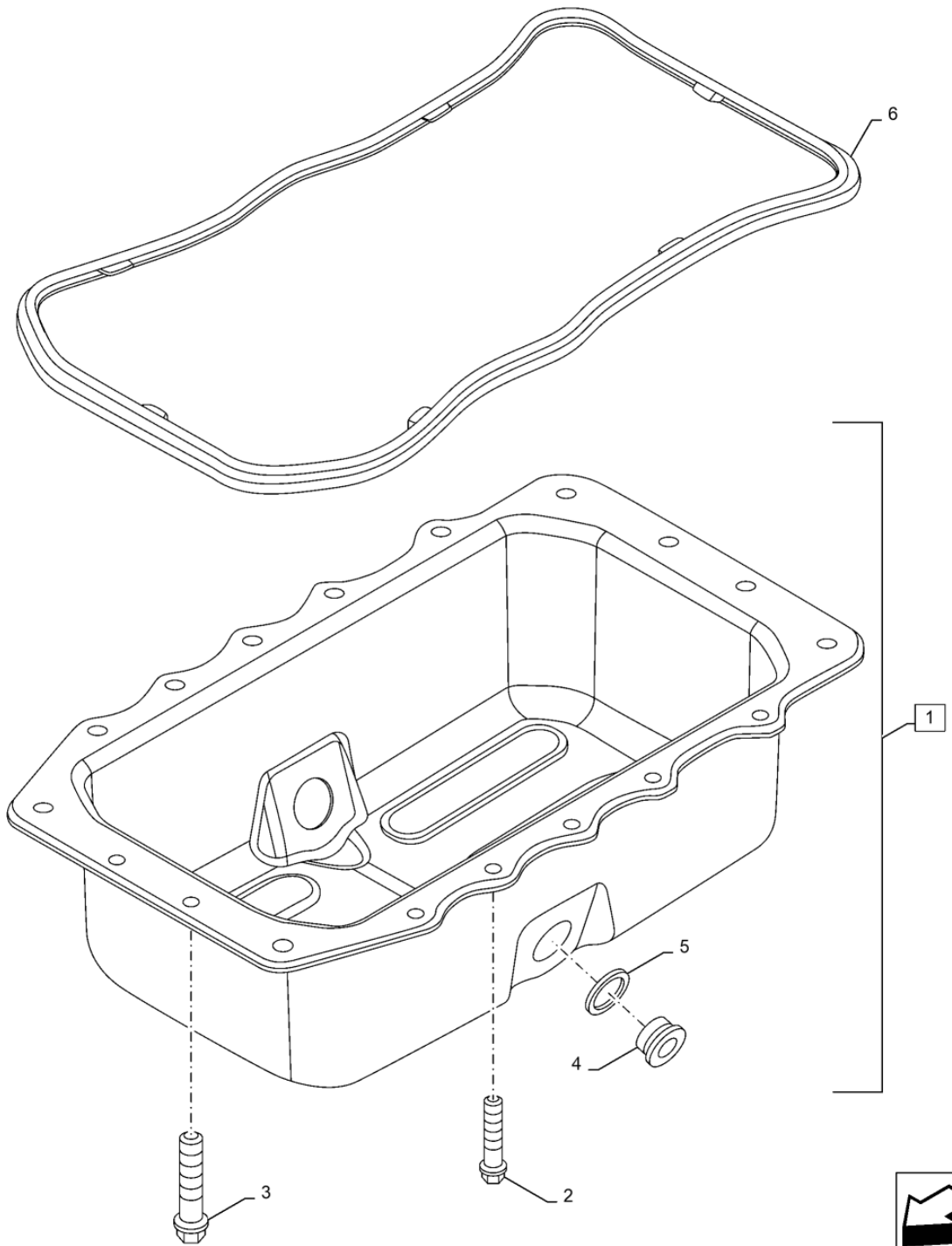
**PLATE, OIL, SUMP**

REF	PN	QTY	DESCRIPTION	USAGE
1	16599134	8	SCREW	Flange
2	5802883816	2	GASKET	Oil Sump/Frame Vs Block
3	5803310308	1	PLATE	Bed - LHS
4	5803026472	4	SCREW	

10.304.AC [02]

p1

SUMP, OIL



# 10.304.AC [02]

p1

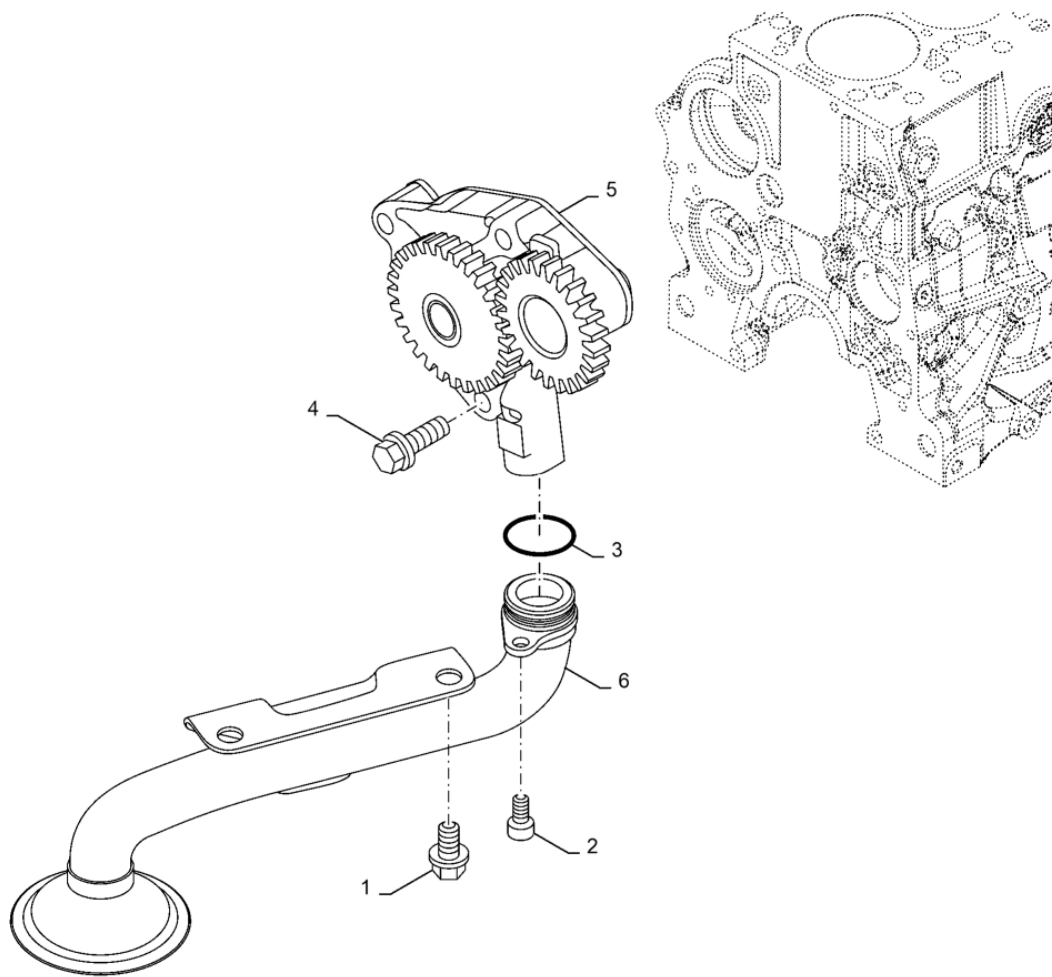
## SUMP, OIL

REF	PN	QTY	DESCRIPTION	USAGE
1	5802987250	1	ENGINE OIL PAN	Sump Complete - Ce Application
2	16586224	14	FLANGE BOLT Hex Flg, M8 x 1.25 x 16mm, CI 8.8	
3	16599134	4	SCREW	Flange
4	16993411	2	PLUG M22 x 1.5	Threaded
5	10263460	2	SEAL 22.3mm ID x 28mm OD x 1.5mm Thk	Copper Washer M22X28X1.5
6	5802987260	1	GASKET	Oil Sump
6	5803381065	1	GASKET	

10.304.AL [01]

p1

LUBE PUMP, OIL & SUCTION STRAINER



**10.304.AL [01]**

p1

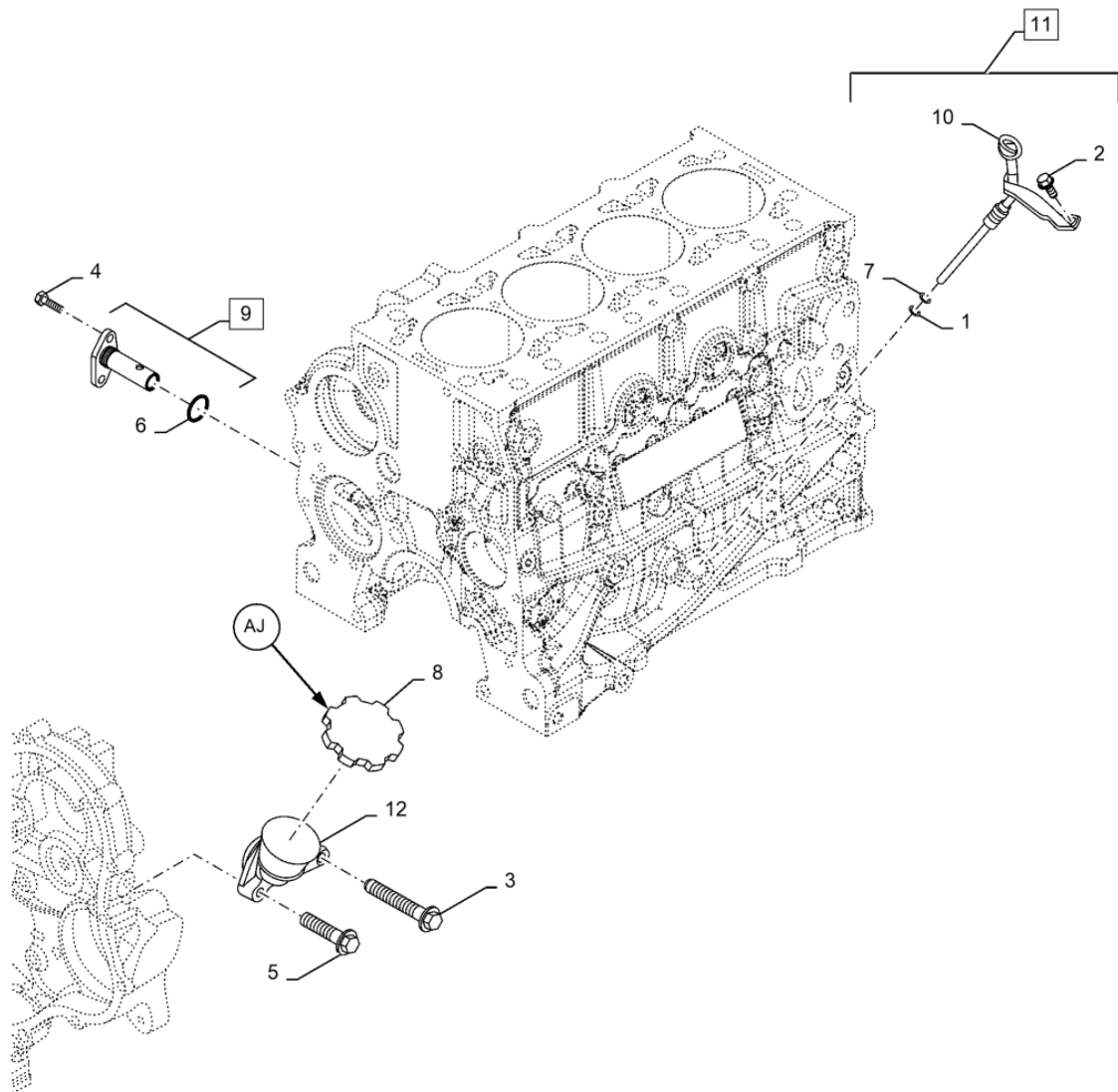
**LUBE PUMP, OIL & SUCTION STRAINER**

REF	PN	QTY	DESCRIPTION	USAGE
1	16597925	2	FLANGE BOLT Hex, M8 x 14mm	Screw
1	16597924	2	SCREW M8 x 14mm	Flange
2	16689021	1	SCREW	
3	4895379	1	O-RING 21.82mm ID x 3.53mm Width	
3	5803318891	1	O-RING	
4	4794007	3	FLANGE BOLT M8 x 25mm	Ind/Marine
5	5802883858	1	LUBE PUMP	
6	5803312700	1	SUCTION PIPE	

# 10.304.AS [01]

p1

## PRESSURE VALVE & OIL DIPSTICK



**10.304.AS [01]**

p1

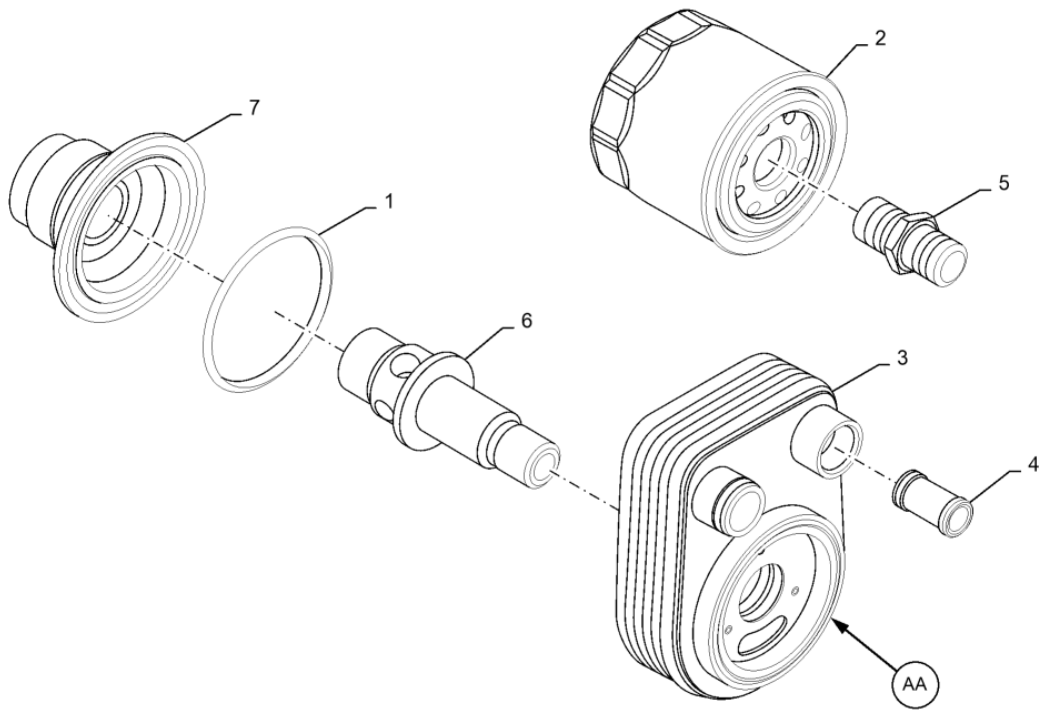
**PRESSURE VALVE & OIL DIPSTICK**

REF	PN	QTY	DESCRIPTION	USAGE
1	14452981	2	O-RING 0.07" Thk x 0.364" ID, -12, CI 7, 75 Duro	
2	16586224	1	FLANGE BOLT Hex Flg, M8 x 1.25 x 16mm, CI 8.8	
3	16592325	2	BOLT M8 x 60mm	
3	16592324	2	FLANGE BOLT Hex, M8 x 60mm	
4	16600224	2	SCREW Hex, M8 x 1.25 x 18mm	
5	16673735	1	FLANGE BOLT Hex, M8 x 1.25 x 25mm	
5	16586424	1	SCREW M8 x 25mm	
6	17281881	1	O-RING 17.12mm ID x 2.62mm Thk, FKM	
7	504027969	1	SEALING RING	Anel Vedador
8	500301568	1	PLUG	Oil Filler
9	5802886019	1	CONTROL VALVE	Complete
10	5803014420	1	DIPSTICK	Oil
11	5803303811	1	DIPSTICK	Oil-Short LHS CE
12	5803303667	1	PIPE	Oil Filling

**10.310.AD [01]**

p1

**INTERCOOLER, OIL FILTER, VC**



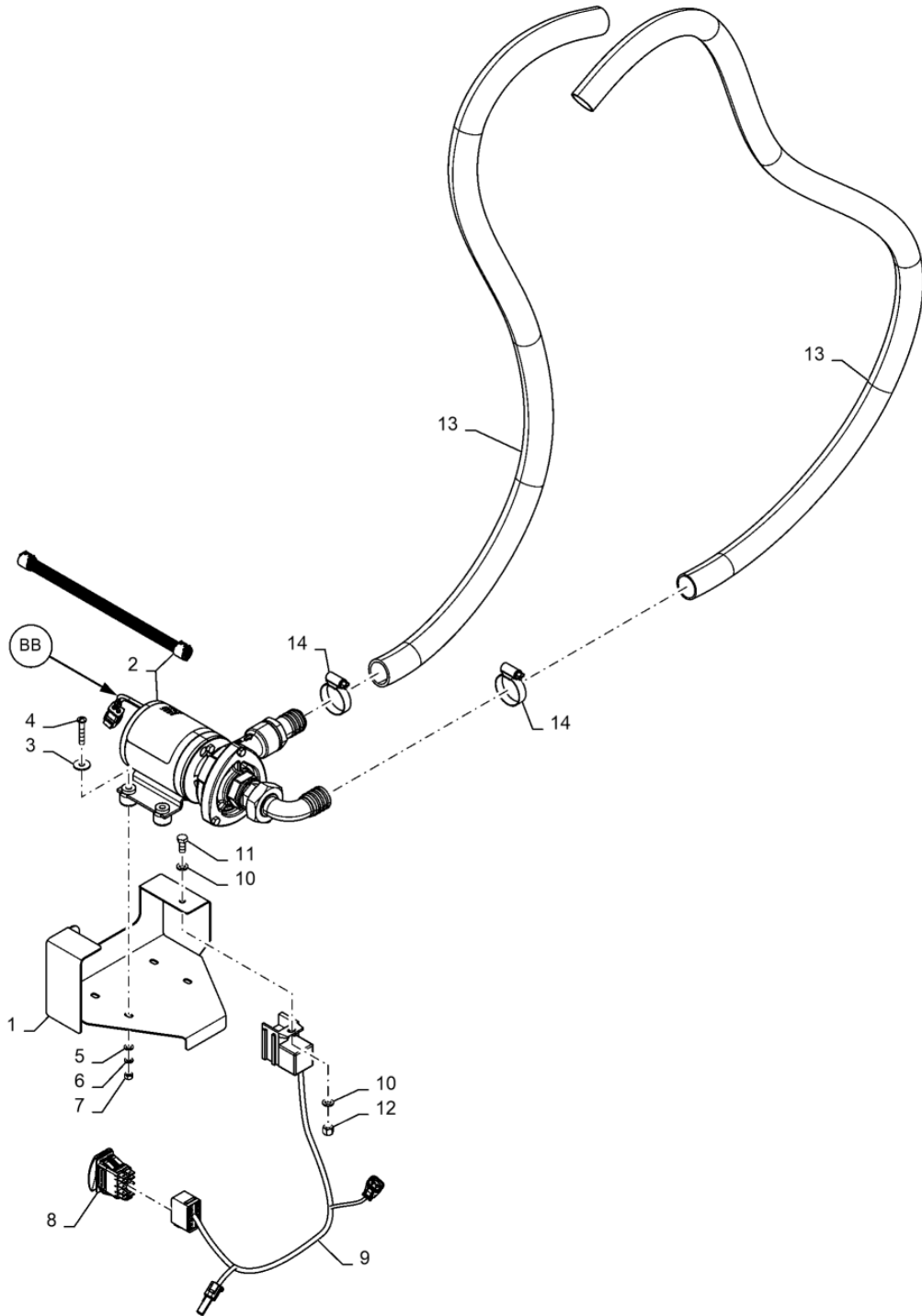
## INTERCOOLER, OIL FILTER, VC

REF	PN	QTY	DESCRIPTION	USAGE
1	17290281	1	O-RING 63.09mm ID x 3.53mm Thk, FKM	
2	5803312695	1	ENGINE OIL FILTER	Filtering Cartridge
3	5802886081	1	HEAT EXCHANGER	
4	5802886097	1	BUSHING	
5	5803014452	1	FITTING	
5	5803349288	1	PIPE	
6	5803014455	1	PLUG	
7	5803014457	1	PLUG	
AA		-		

# 10.400.BB [01]

p1

VAR - 449674, WATER PUMP



**10.400.BB [01]**

p1

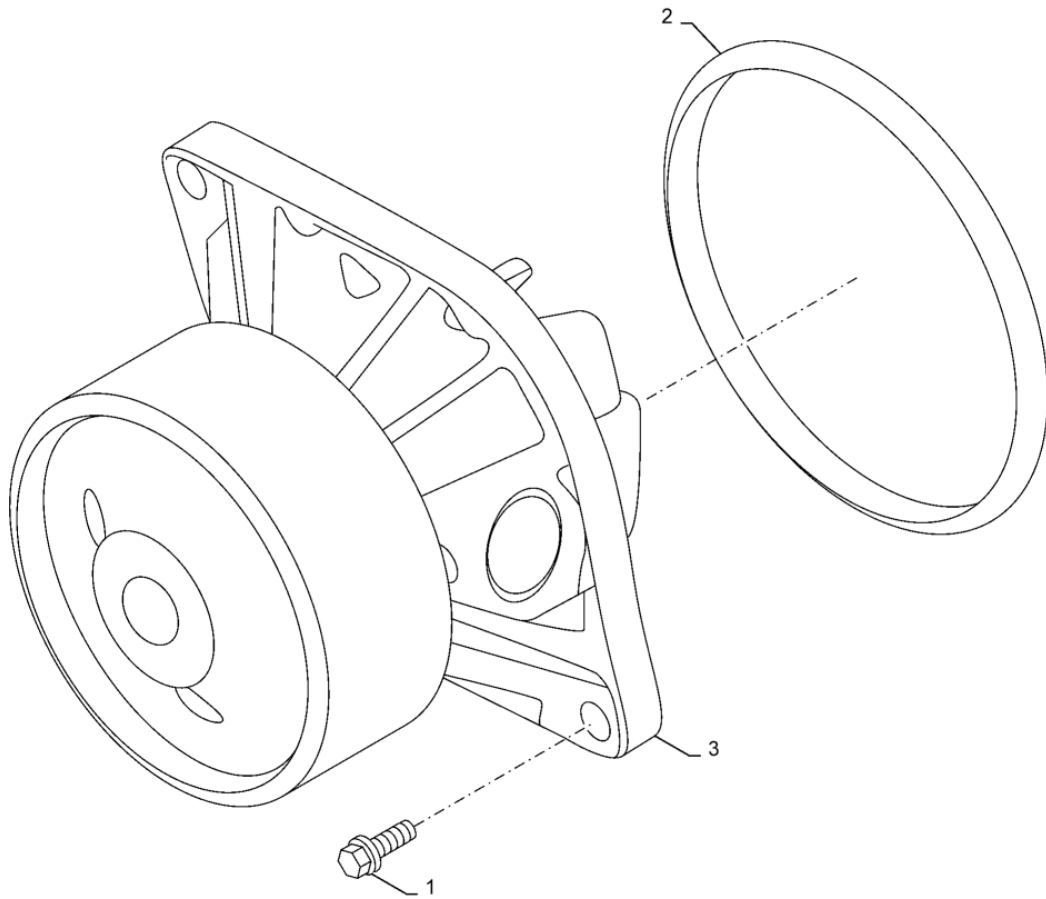
**VAR - 449674, WATER PUMP**

REF	PN	QTY	DESCRIPTION	USAGE
1	47884571	1	PLATE	Switch Mounting
2	47863422	1	WATER PUMP	Refill, (Corrugated Tube For Pump Harness, Supplied & Assembled With Pump)
3	12643721	4	WASHER 6.15mm ID x 18mm OD x 1.5mm Thk	
4	840-3530	4	SCREW	
5	895-11005	4	WASHER 5.5mm ID x 10mm OD x 1mm Thk	
6	892-11005	4	LOCK WASHER M5	
7	825-1405	4	NUT M5, CI 8	
8	47765998	1	ROCKER SWITCH	Tank Refill
9	47838627	1	WIRE HARNESS	Refill Pump
10	895-11006	2	WASHER 6.6mm ID x 12mm OD x 1.6mm Thk	
11	10902221	1	BOLT Hex, M6 x 16mm, CL 8.8	
12	393392	1	LOCK NUT Prev Torque, M6 x 1, CI 8	
13	47890350	5	HOSE	Water
14	BU3690008	2	CLAMP	Hose

**10.400.BB [02]**

p1

**WATER PUMP, COMPLETE**



**10.400.BB [02]**

p1

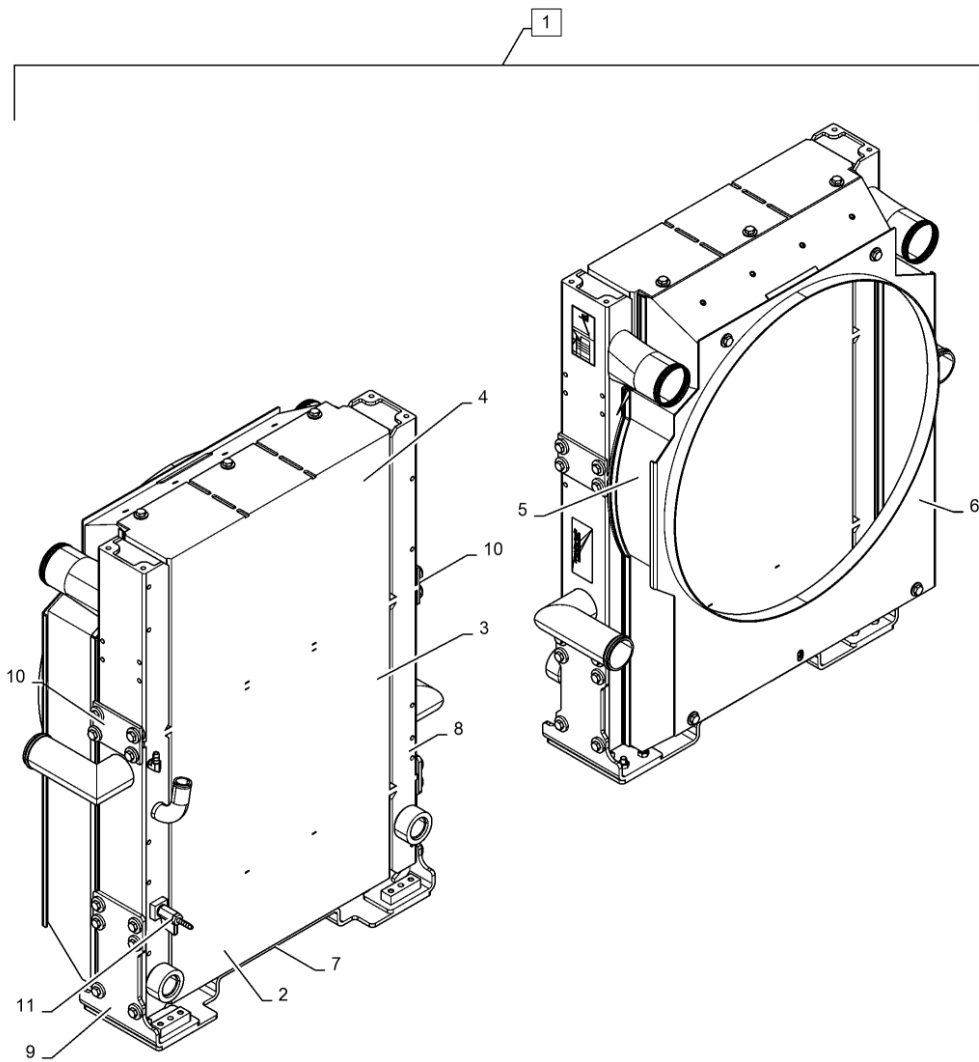
**WATER PUMP, COMPLETE**

REF	PN	QTY	DESCRIPTION	USAGE
1	16586424	2	SCREW M8 x 25mm	Bolt
2	5802455380	1	SEALING RING	
3	5802886181	1	WATER PUMP	

10.400.BE [01]

p1

RADIATOR, ASSY, 952NX F28



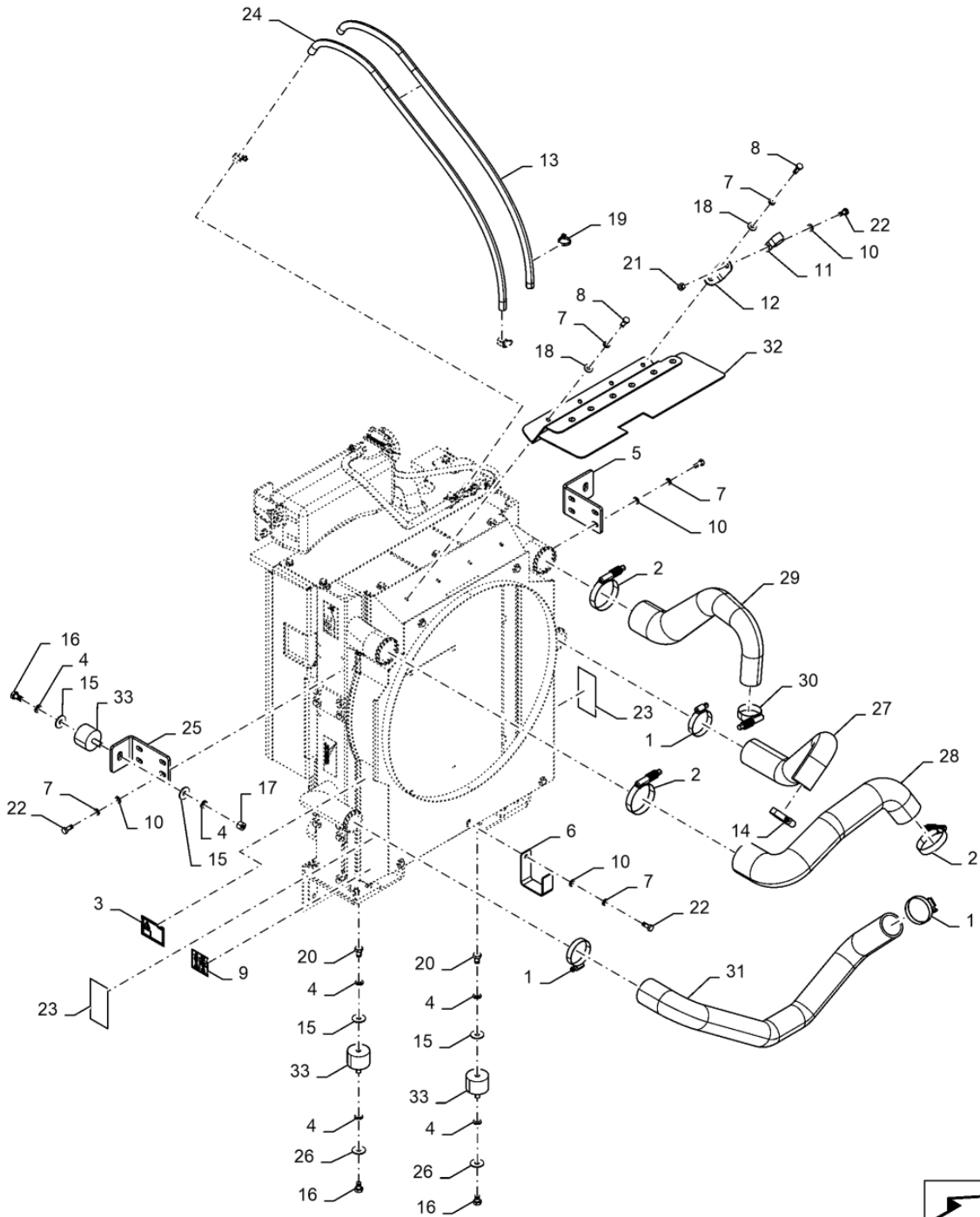
## RADIATOR, ASSY, 952NX F28

REF	PN	QTY	DESCRIPTION	USAGE
1	92042837	1	RADIATOR	Assy, 952Nx F28, Incl 2 - 11
2	92240203	1	OIL COOLER	Hydraulic
3	92240204	1	COOLER	Radiator
4	92240205	1	COOLER	Charge Air
5	92240208	1	SHROUD	Fan
6	92240209	1	PLATE	Fan Shroud
7	92240210	1	BRACKET	Bot, Roc
8	92240211	1	BRACKET	LH, Roc
9	92240212	1	BRACKET	RH, Roc
10	92240213	2	BRACKET	Rad-Cac
11	51684262	1	PLUG	Drain

# 10.400.BF [01]

p1

## RADIATOR, MOUNTING ASSY, 952NX F28



**10.400.BF [01]**

p1

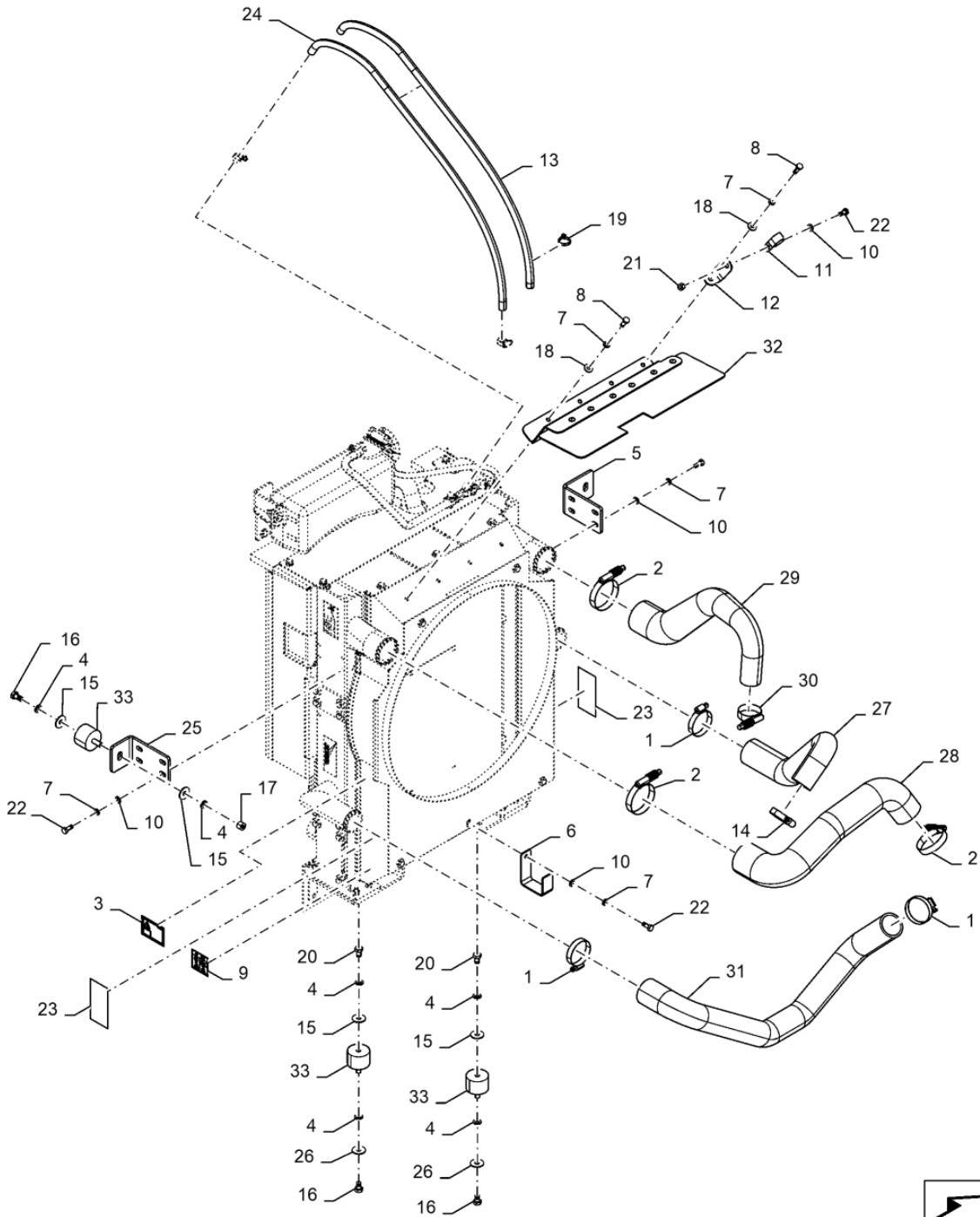
**RADIATOR, MOUNTING ASSY, 952NX F28**

REF	PN	QTY	DESCRIPTION	USAGE
1	51463369	3	CLAMP	Hose, Worm Gear 50X70X12 Sst
2	47420074	3	CLAMP	Hose, Worm Gear 57X79X16 Sst
3	87494551	1	DECAL	Warning, Hot Liquid
4	892-11010	8	LOCK WASHER M10	10.4X18.1 Znd
5	92272834	1	BRACKET	LH, Pltd, Radiator
6	92042858	1	PLATE	Clamp Mtg
7	892-11008	15	LOCK WASHER 8mm ID	8.3X14.8 Znd
8	43127	4	BOLT Hex, M8 x 1.25 x 25mm, CI 8.8, Full Thd	M8X25 Full 8.8 Znd
9	47757330	1	DECAL 50mm x 50mm H	Oat Coolant-Actifull Ot-50X50
10	895-11008	10	WASHER 9mm ID x 16mm OD x 1.6mm Thk	Replaced By 86624184
11	86637977	1	CLAMP 25.4mm, Coat, 8.7mm Bolt Hole, P Type	Closed 25.4Mm Insul 5-16 Bolt
12	47939402	1	BRACKET	L Shape
13	47589124	1	GUARD	Hose
14	51463362	1	CLAMP	Hose, Worm Gear 40X60X12 Sst
15	13578621	6	WASHER 10.2mm ID x 30mm OD x 2mm Thk, R80, ZND	10.2X30X2 R 80 Znd
16	43138	4	BOLT Hex, M10 x 1.5 x 20mm, CI 8.8, Full Thd	M10X20 Full 8.8 Znd
17	832-10410	4	LOCK NUT M10 x 1.5, CI 8	Prev Torque
18	12646704	4	WASHER 8.15mm ID x 20mm OD x 2mm Thk	8.15X20X2 Cst Dac
19	L11541	3	CABLE TIE 203.2mm L, Nylon	
20	300383	2	BOLT Hex, M10 x 1.5 x 16mm, CI 8.8, Full Thd	M10X16 Full 8.8 Znd
21	832-10408	1	LOCK NUT M8 x 1.25, CI 8.8	Prev Torque
22	120104	9	BOLT Hex, M8 x 1.25 x 20mm, CI 8.8, Full Thd	M8X20 Full 8.8 Znd
23	51512906	2	DECAL	Do Not Pressure Wash Fan
24	92044889	1	HOSE	Engine To Tee
25	92272832	1	BRACKET	RH, Radiator, Pltd
26	12641001	2	WASHER 10.2mm ID x 20mm OD x 3mm Thk, CST, ZND	
27	91898658	1	RADIATOR HOSE	Radiator, Inlet
28	91898660	1	HOSE	Cac, Outlet

# 10.400.BF [01]

p2

## RADIATOR, MOUNTING ASSY, 952NX F28



**10.400.BF [01]**

p2

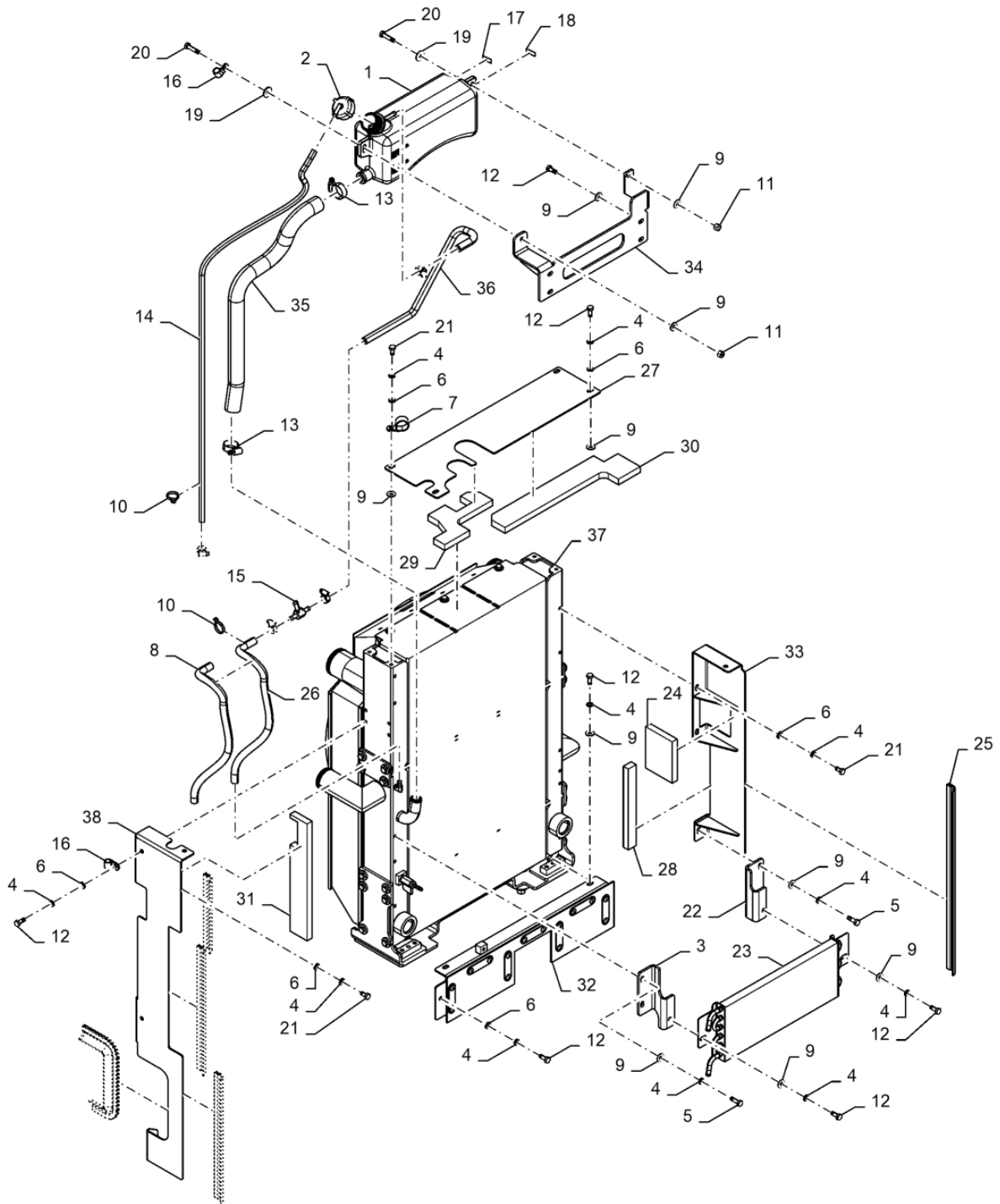
**RADIATOR, MOUNTING ASSY, 952NX F28**

REF	PN	QTY	DESCRIPTION	USAGE
29	91898664	1	HOSE	Cac, Inlet
30	92153113	1	CLAMP	Hose, Worm Gear 32X54X16 Sst
31	92178911	1	RADIATOR HOSE	Outlet
32	92178915	1	DEFLECTOR	Assy, Fan, Top
33	92094085	4	RUBBER MOUNTING	Roc, Bobbin-B50-35

# 10.400.BF [02]

p1

## RADIATOR, MOUNTING ASSY, 952NX F28



**10.400.BF [02]**

p1

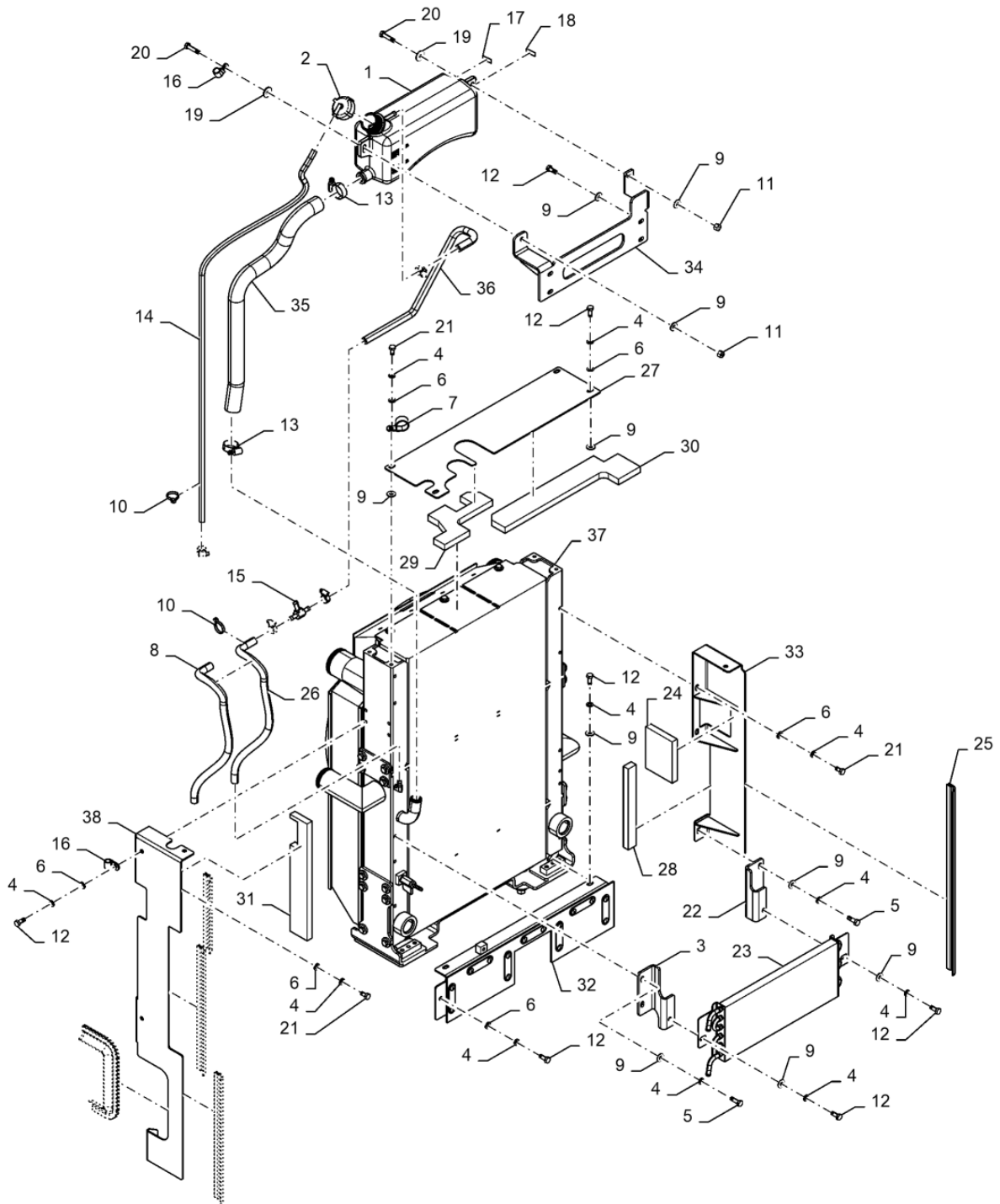
**RADIATOR, MOUNTING ASSY, 952NX F28**

REF	PN	QTY	DESCRIPTION	USAGE
1	87674844	1	RESERVOIR, COOLANT E 3L	Recovery Bottle Assembly
2	85803019	1	RADIATOR CAP	Plug
3	92035748	1	BRACKET	Hose, Deaeration, Overflow
4	892-11008	17	LOCK WASHER 8mm ID	8.3X14.8 Znd
5	43127	4	BOLT Hex, M8 x 1.25 x 25mm, CI 8.8, Full Thd	M8X25 Full 8.8 Znd
6	895-11008	11	WASHER 9mm ID x 16mm OD x 1.6mm Thk	
7	86637977	1	CLAMP 25.4mm, Coat, 8.7mm Bolt Hole, P Type	Closed 25.4Mm Insul 5-16 Bolt
8	47589124	1	GUARD	Hose
9	12646704	16	WASHER 8.15mm ID x 20mm OD x 2mm Thk	8.15X20X2 Cst Dac
10	L11541	1	CABLE TIE 203.2mm L, Nylon	
11	832-10408	2	LOCK NUT M8 x 1.25, CI 8.8	Prev Torque
12	120104	14	BOLT Hex, M8 x 1.25 x 20mm, CI 8.8, Full Thd	M8X20 Full 8.8 Znd
13	514920	2	HOSE CLAMP 20.6mm - 38.1mm, Worm Gear	F Wo/Linr 20.6X38.1X14.45
14	92044886	1	HOSE	Foam, Seal, Top, Lh
15	90377355	1	FITTING	Hose, Tee
16	86625036	3	CLAMP 12.7mm, Coat, 8.7mm Bolt Hole, P Type	Closed 12.7Mm Insul 5/16 Bolt
17	51681805	1	DECAL	Coolant Level High
18	51684243	1	DECAL	Coolant Level, Low
19	12647021	2	WASHER 8.15mm ID x 25mm OD x 2.5mm Thk	8.15X25X2.5 R 80 Znd
20	412479	2	BOLT Hex, M8 x 1.25 x 35mm, CI 8.8	M8 X 35 8.8 Znd
21	120103	6	BOLT M8 x 1.25 x 16mm, CI 8.8	M8X16 Full 8.8 Znd
22	92035760	1	BRACKET	Assy, Fuel Cooler , RH Cegra
23	47689748	1	FUEL COOLER	Fuel
24	92272845	1	FOAM	Bracket Cegra, Deaeration Tank
25	V207010/80084	2.19	SEALING STRIP	
26	92044892	1	HOSE	Foam, Seal, Top, RH
27	92272842	1	DEFLECTOR	Cegra, Plate, LH
28	92168471	1	FOAM	Seal RH
29	92272849	1	FOAM	Foam, Seal, Top, LH

# 10.400.BF [02]

p2

## RADIATOR, MOUNTING ASSY, 952NX F28



**10.400.BF [02]**

p2

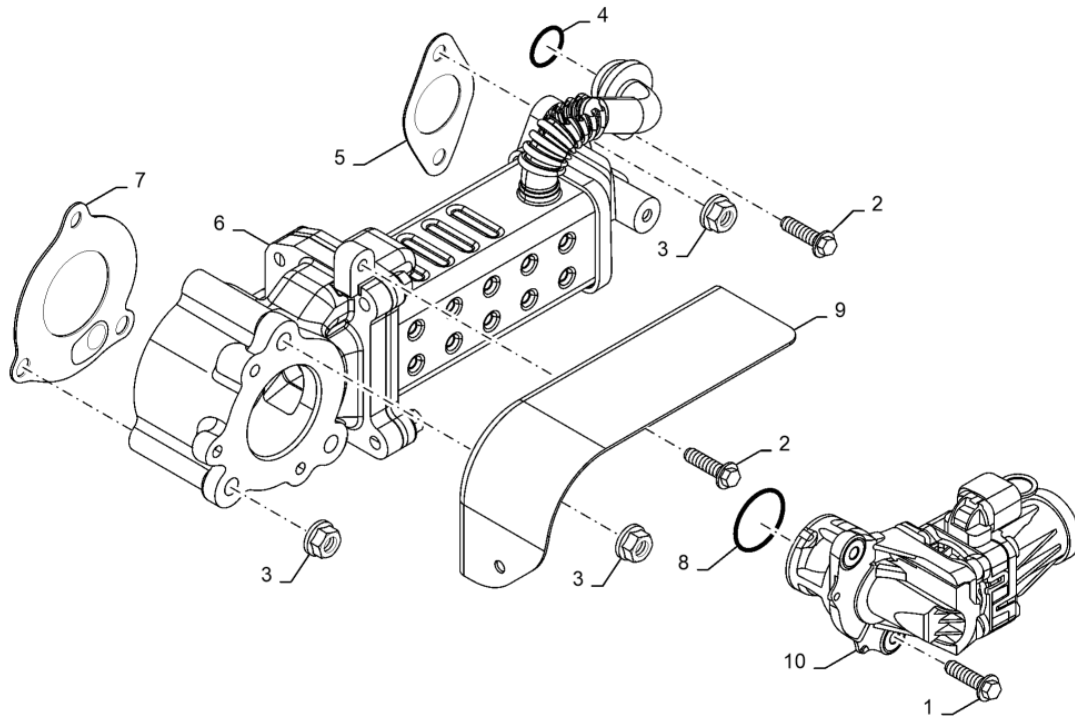
**RADIATOR, MOUNTING ASSY, 952NX F28**

REF	PN	QTY	DESCRIPTION	USAGE
30	92272848	1	FOAM	Foam, Seal, RH
31	92272840	1	FOAM	Foam, Seal, LH
32	92272839	1	DEFLECTOR	Assy, Radiator Bottom
33	92259731	1	DEFLECTOR	Cegra, Plate, RH
34	92048145	1	BRACKET	Cegra, Deaeration Tank
35	92044894	1	HOSE	Hose, Deaeration Outlet
36	92044883	1	HOSE	Deaeration To Tee
37	92042837	1	RADIATOR	Assy, 952Nx F28
38	92259733	-	PLATE	Hose, Deaeration Outlet

10.408.AC [01]

p1

HEAT EXCHANGER, VALVE, EGR



**10.408.AC [01]**

p1

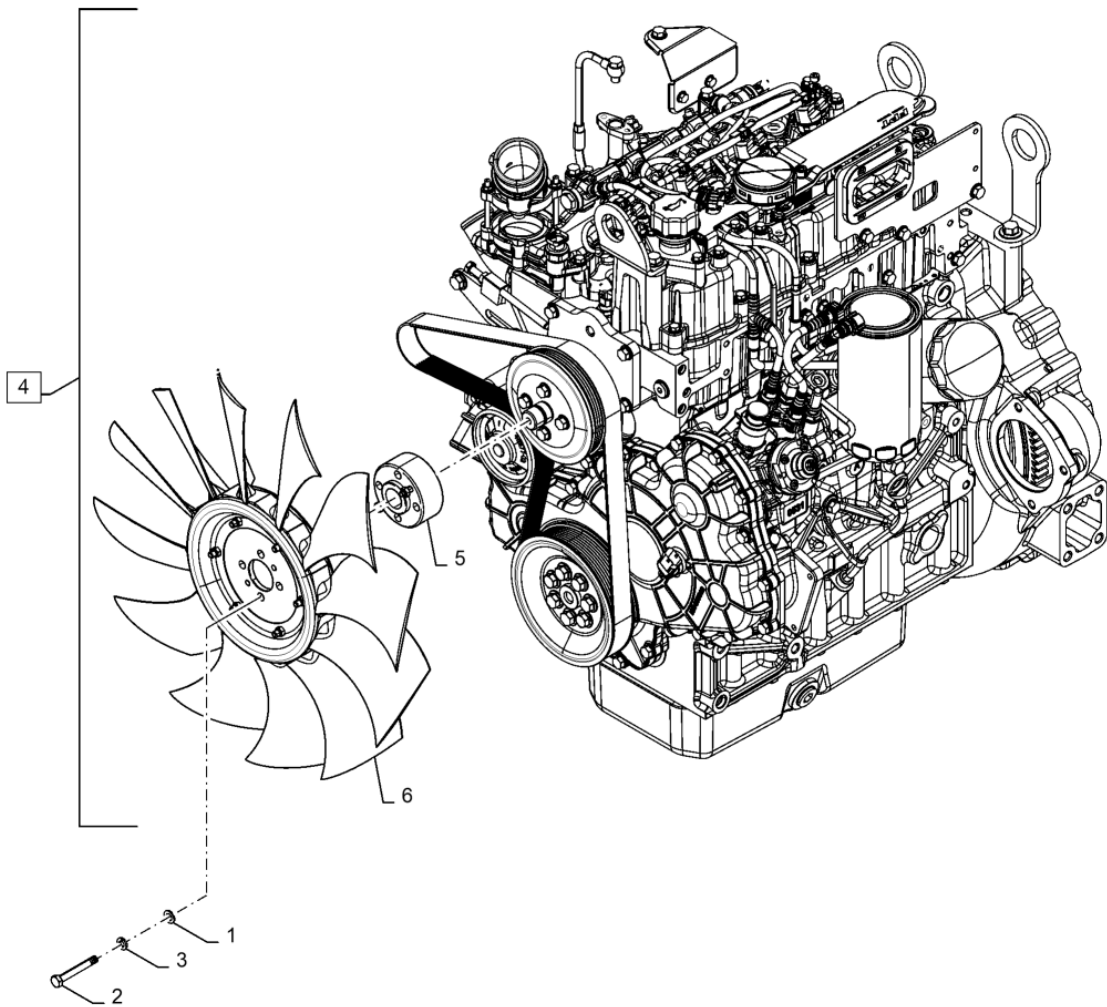
**HEAT EXCHANGER, VALVE, EGR**

REF	PN	QTY	DESCRIPTION	USAGE
1	16585821	2	SCREW	
2	16978124	3	BOLT Hex, M6 x 14mm	
3	17044724	5	NUT	
4	17278690	1	O-RING 20.35mm ID x 1.78mm Thk, HNBR	
5	504167862	1	GASKET	
5	504341194	1	GASKET	
6	5802884323	1	COOLER	Egr Complete
7	5802884330	1	GASKET	
8	5802885299	1	O-RING	
9	5802942555	1	SHROUD	
10	5802981069	1	VALVE	Egr With Gasket

# 10.414.AC [01]

p1

FAN, ENGINE, SUB ASSY 55KW



**10.414.AC [01]**

p1

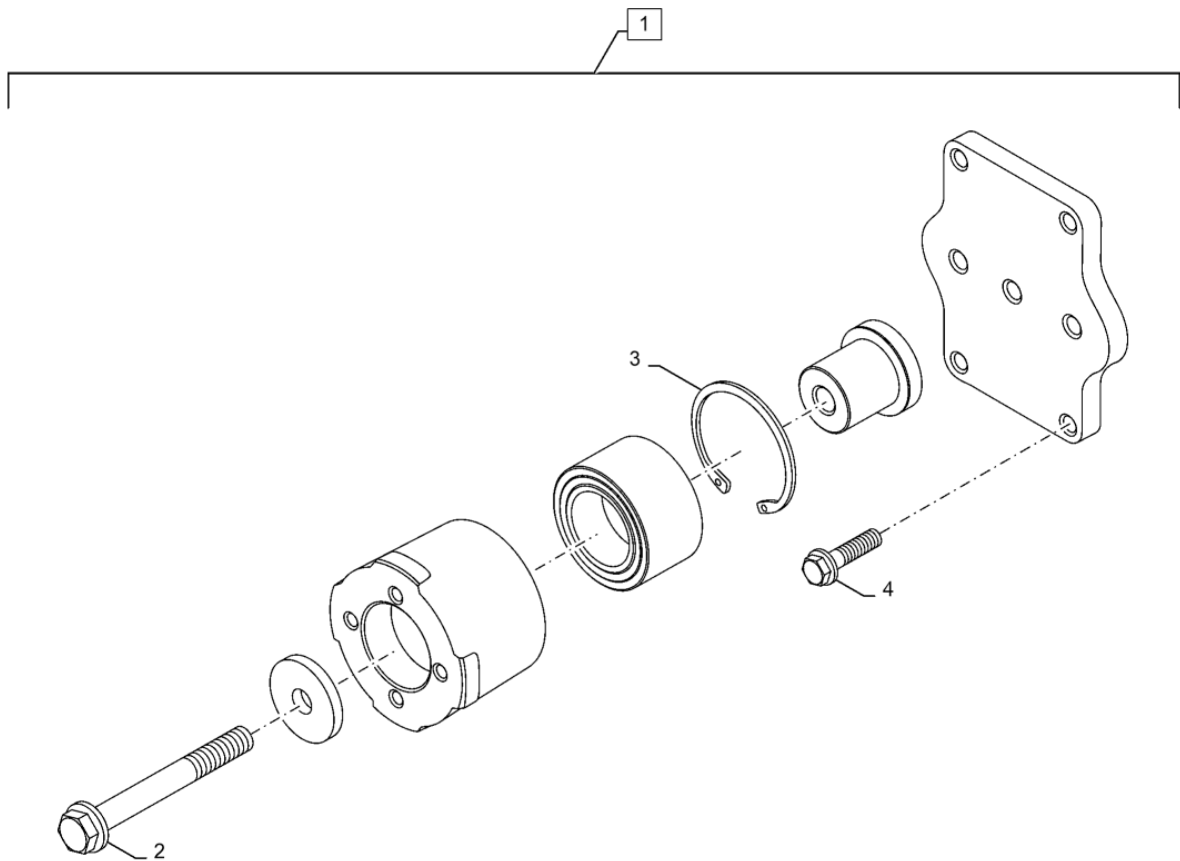
**FAN, ENGINE, SUB ASSY 55KW**

REF	PN	QTY	DESCRIPTION	USAGE
1	895-11008	4	WASHER 9mm ID x 16mm OD x 1.6mm Thk	
2	120061	4	BOLT Hex, M8 x 1.25 x 60mm, Cl 8.8	M8X60 8.8 Znd
3	892-11008	4	LOCK WASHER 8mm ID	8.3X14.8 Znd
4	92267363	1	FAN	Assembly 490 Dia, Incl 5 & 6
5	92267353	1	SPACER	Fan
6	NSS	1	NOT SOLD SEPARAT	

10.414.AC [02]

p1

POWER TAKEOFF & PTO COVER



**10.414.AC [02]**

p1

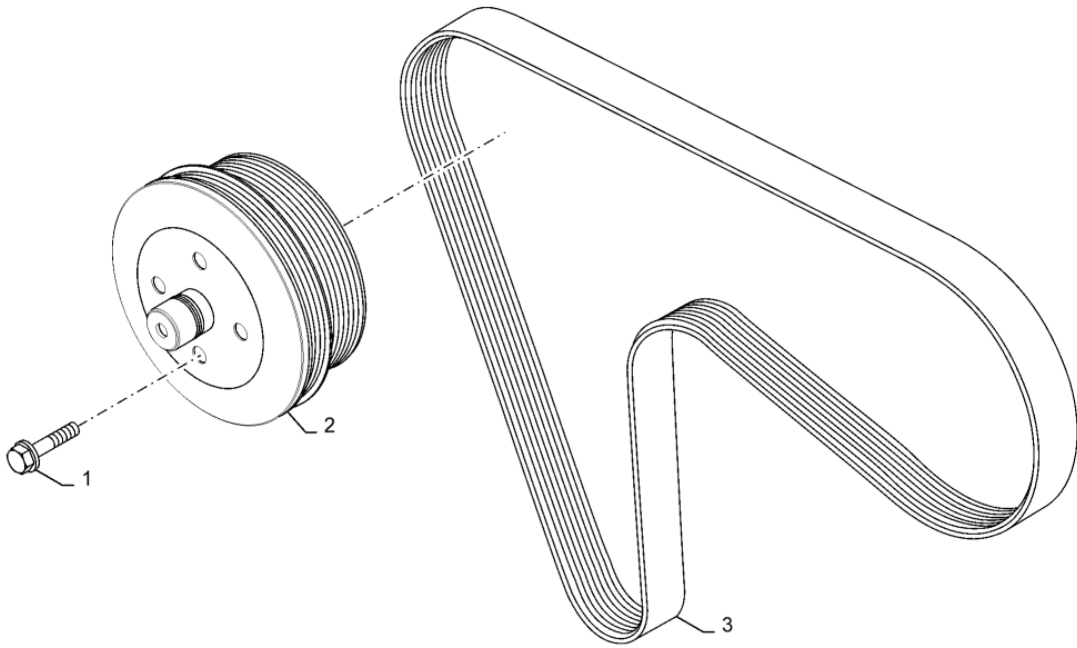
**POWER TAKEOFF & PTO COVER**

REF	PN	QTY	DESCRIPTION	USAGE
1	5802994279	1	SUPPORT	
2	16678734	1	BOLT	Hexagon
3	500395697	1	SNAP RING M68.2, Int	
4	16586421	4	SCREW	
4	16673735	4	FLANGE BOLT Hex, M8 x 1.25 x 25mm	

10.414.AD [01]

p1

FAN, PULLEY, BELT



**10.414.AD [01]**

p1

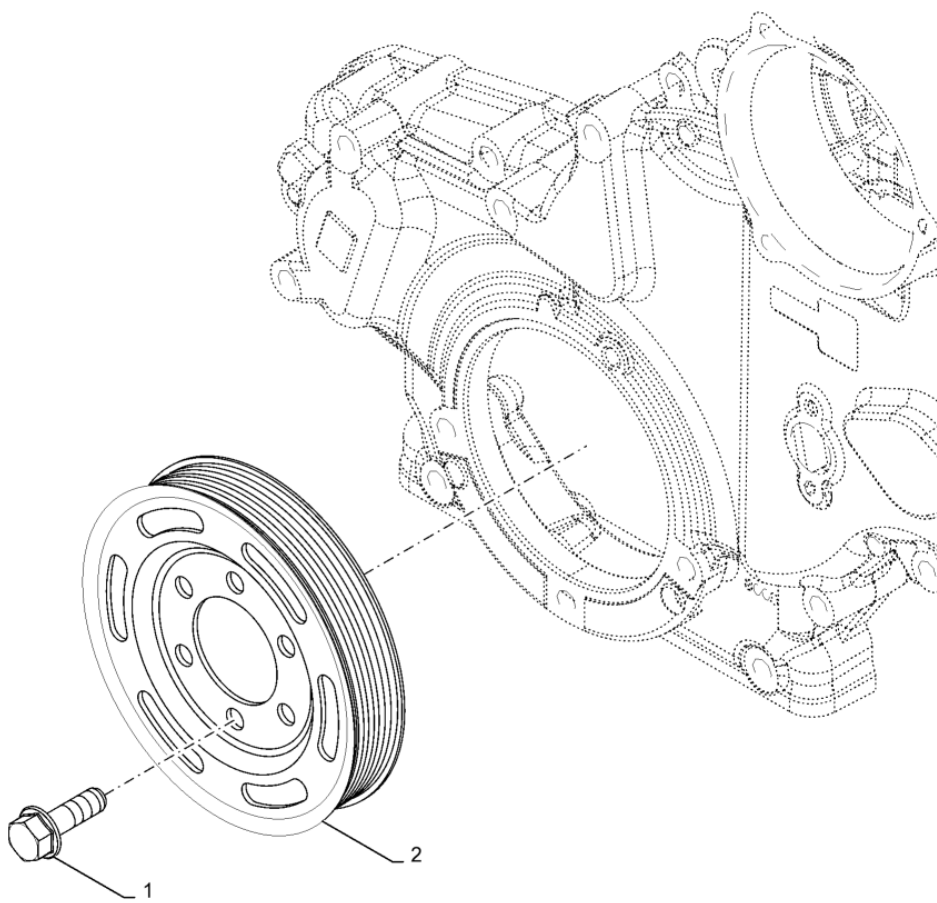
**FAN, PULLEY, BELT**

REF	PN	QTY	DESCRIPTION	USAGE
1	16600224	4	SCREW Hex, M8 x 1.25 x 18mm	
2	5802884704	1	PULLEY	
3	5803252890	1	BELT	Poly V

10.414.AO [01]

p1

DRIVING PULLEY



**10.414.AO [01]**

p1

**DRIVING PULLEY**

REF	PN	QTY	DESCRIPTION	USAGE
1	16597435	7	BOLT	
1	16597425	7	BOLT Hex, Flanged, M10 1.5 x 16mm, Cl 8.8, DAC, Full Thd	
2	5803310097	1	PULLEY	
2	5803133786	1	PULLEY	

---

# SECTION INDEX

## HYDROSTATIC DRIVE

---

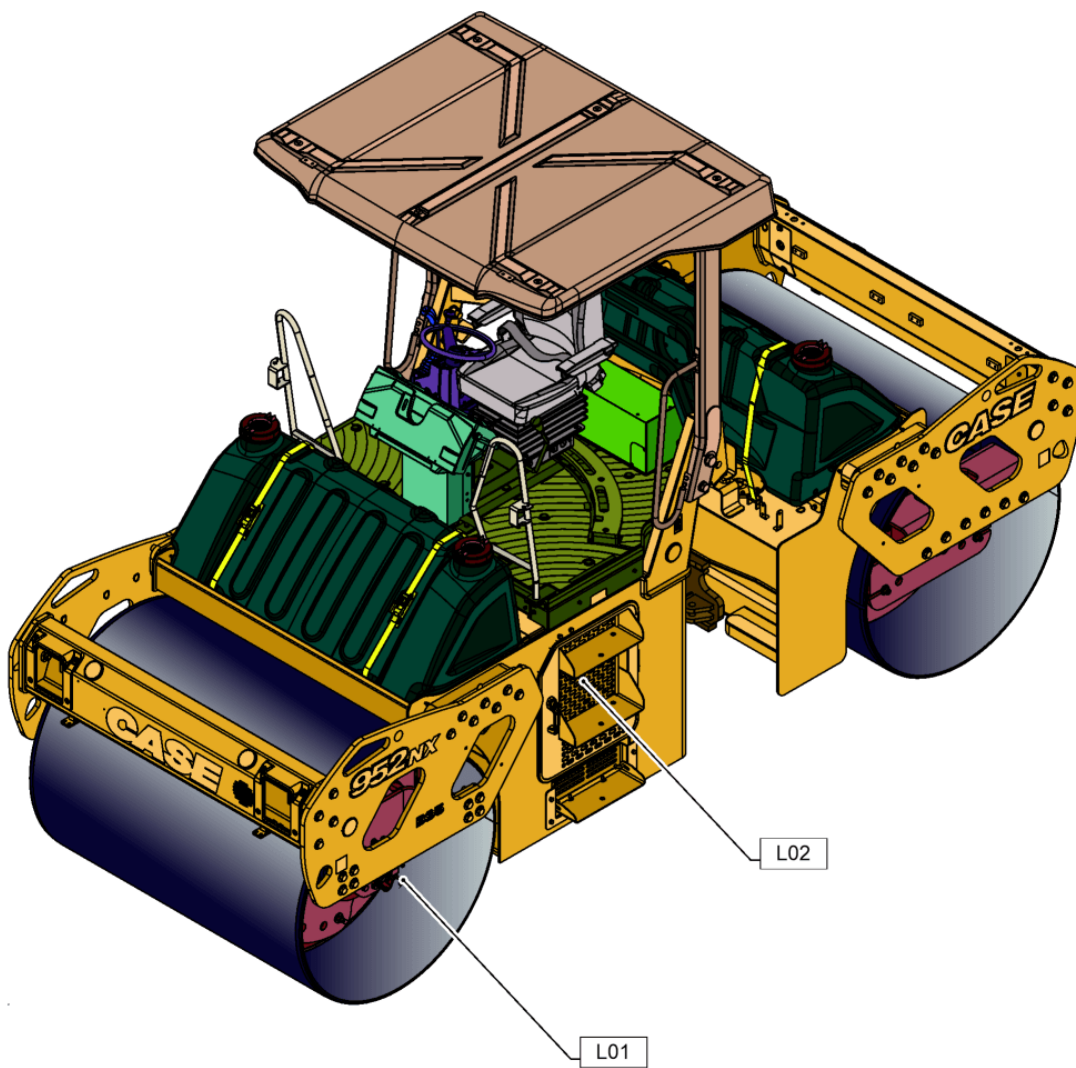
29.000.00 [01]	SECTION INDEX - HYDROSTATIC DRIVE
29.218.AH [01]	HYDRAULIC MOTOR, PISTON, DRUM, DRIVE, AXIAL
29.218.AH [02]	GEARBOX, DRUM, DRIVE



29.000.00 [01]

p1

SECTION INDEX - HYDROSTATIC DRIVE



**29.000.00 [01]**

p1

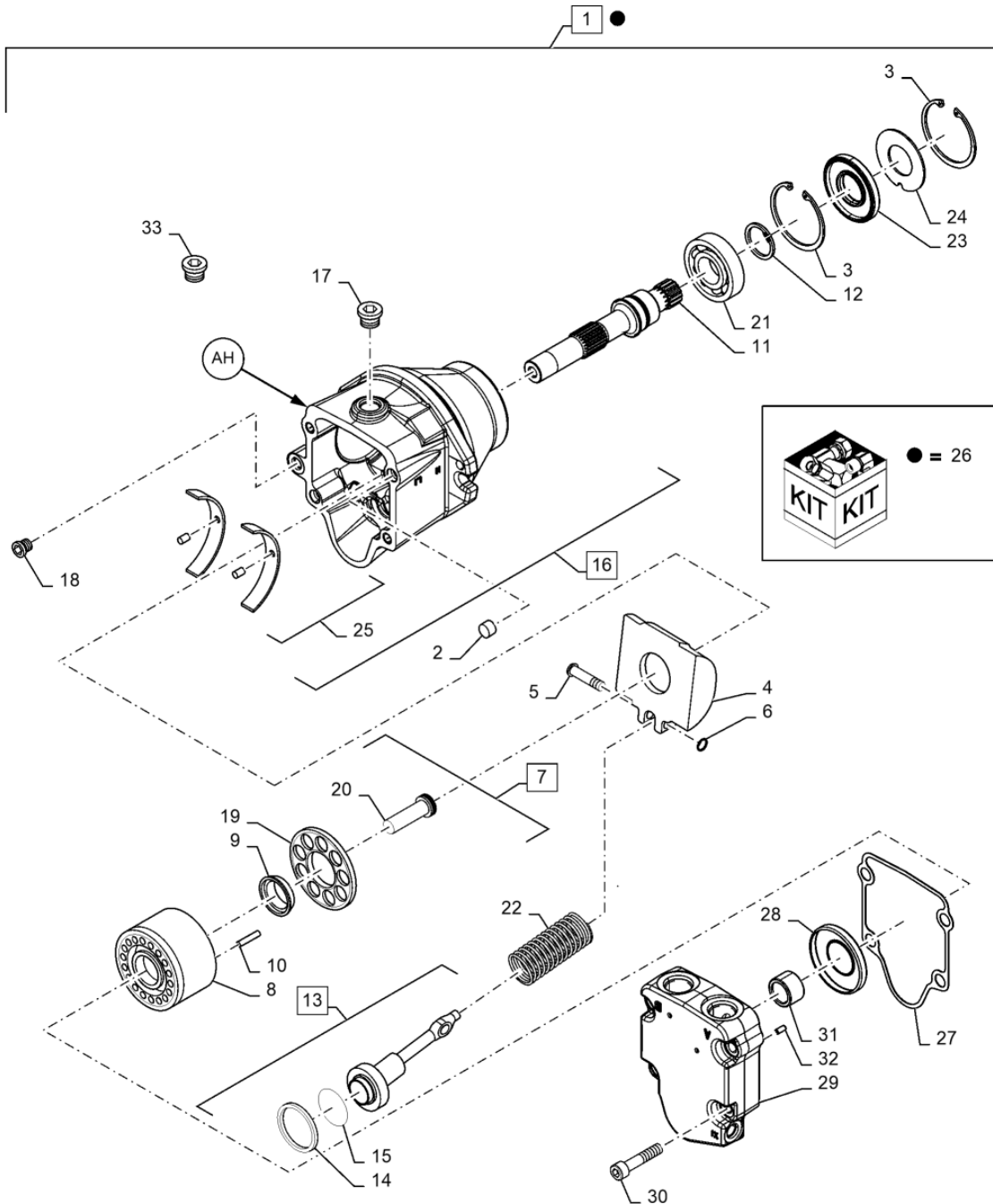
**SECTION INDEX - HYDROSTATIC DRIVE**

REF	FIGURE NUMBER	FIGURE NAME
L02	29.218.AH[02]	GEARBOX, DRUM, DRIVE

# 29.218.AH [01]

p1

HYDRAULIC MOTOR, PISTON, DRUM, DRIVE, AXIAL



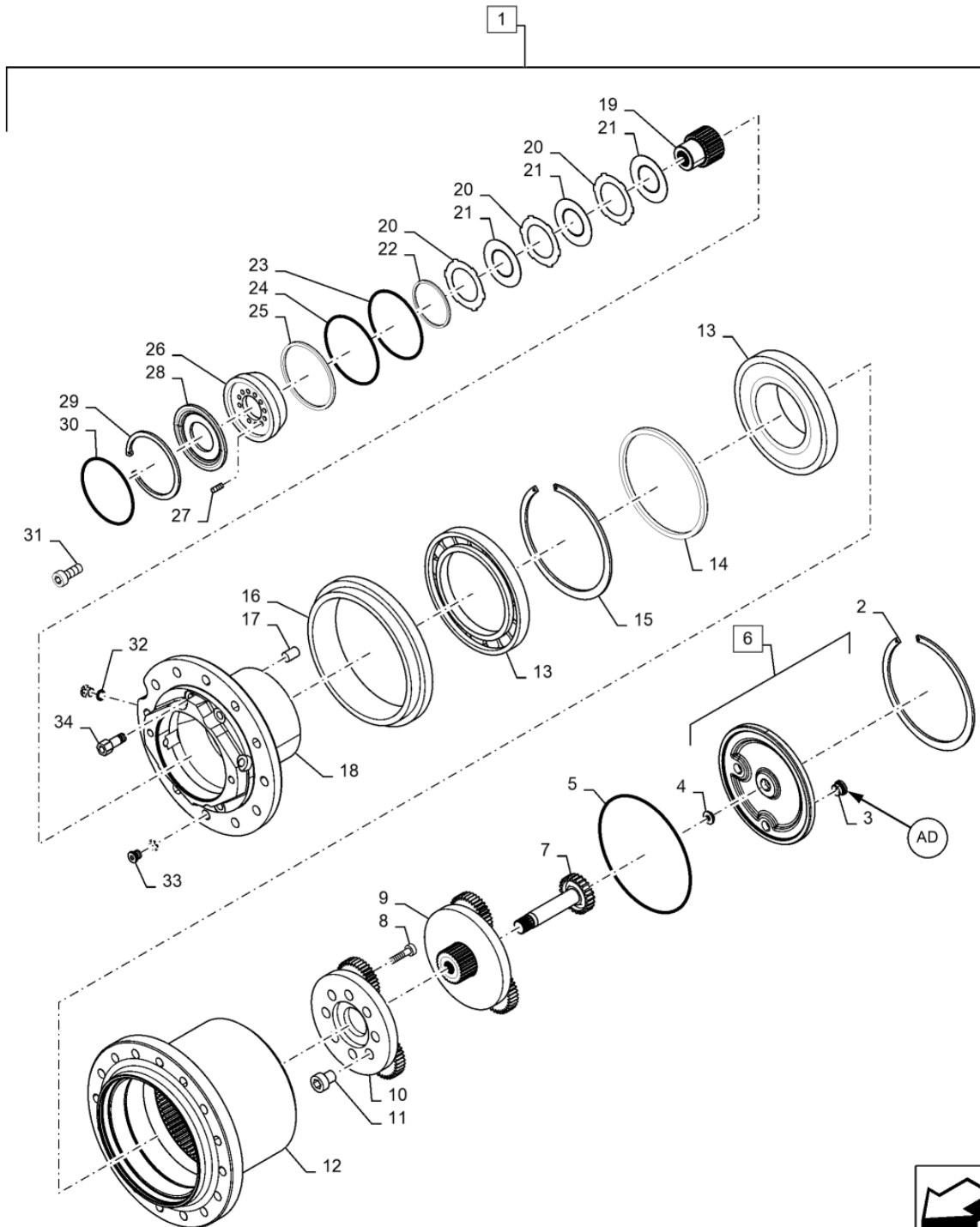
## HYDRAULIC MOTOR, PISTON, DRUM, DRIVE, AXIAL

REF	PN	QTY	DESCRIPTION	USAGE
1	47556268	1	HYDROSTATIC MOTOR	Axial Piston, Drum Drive, Incl 2 - 33
2	48016786	2	PIN	
3	47570492	2	RING	Retaining
4	48016789	1	PLATE	Swash
5	48016808	1	PIN	
6	48016813	1	RING	Retaining
7	48016817	1	BLOCK	Cylinder Kit, Incl 8 - 10, 19, 20
8	48016816	1	BLOCK	Cylinder Assy
9	48017173	1	GUIDE	Slipper Retainer
10	291274A1	3	PIN	Slipper Hold Down
11	48017174	1	SHAFT	
12	100-11137	1	SNAP RING #137, Ext	Rtng Basic
13	48017178	1	PISTON	Servo Assy, Incl 14, 15
14	434309A1	1	O-RING	
15	238-5127	1	O-RING 36.2mm ID x 2.62mm Thk, NBR	
16	48017179	1	HOUSING	Assy, Incl 25, 17
17	48017180	1	PLUG	
18	87742264	1	PLUG	
19	48017181	1	RETAINER	Slipper
20	48017182	9	PISTON	Assy
21	48017183	1	BALL BEARING	
22	48017184	1	SPRING	
23	47716164	1	SEAL	Lip
24	47716166	1	WASHER 47716166	Support
25	48017185	1	KIT	Swashplate Bearing
26	48017187	1	KIT	Overhaul Seal
27	48016798	1	GASKET	
28	48016819	1	PLATE	Valve
29	48017175	1	CAP	End
30	48017176	4	SCREW	
31	48017177	1	NEEDLE BEARING	
32	47694755	1	PIN	
33	47694734	1	PLUG	

# 29.218.AH [02]

p1

## GEARBOX, DRUM, DRIVE



## GEARBOX, DRUM, DRIVE

REF	PN	QTY	DESCRIPTION	USAGE
1	47554961	1	GEARBOX	Planetary, Drum Drive, Incl 2 - 34
2	87619885	1	CIRCLIP	
3	48008632	2	PLUG	
4	47660035	1	PAD	
5	47660039	1	O-RING	
6	48008634	1	O-RING	Cover Assembly, Incl 3 & 4
7	48008641	1	SUN GEAR	
8	48008642	4	SCREW	
9	48008644	1	REDUCER	Assy
10	48008645	1	REDUCER	Assy
11	47660055	4	PIN	
12	48008647	1	GEARBOX	Housing
13	48008651	2	BEARING LINER	
14	47660068	1	PAD	Spacer
15	47660069	1	CIRCLIP	
16	48139645	1	SEAL	Lifetime
17	84154954	1	PLUG	
18	48008659	1	HUB	Hub
19	48008661	1	SHAFT	Brake
20	84154970	7	DISC	
21	84154973	8	DISC	
22	47660655	1	RING	Backup
23	47660659	1	O-RING	
24	47660663	1	O-RING	
25	47660667	1	RING	Backup
26	47660669	1	PISTON	
27	48008663	12	PISTON	
28	47660671	1	RETAINER	Spring
29	47660679	1	CIRCLIP	
30	48008664	1	O-RING	
31	87605988	2	SCREW M12 x 35mm, Cl 8.8	
32	72275323	4	SEALING WASHER	
33	48008666	4	PLUG	
34	48008667	1	HYD CONNECTOR	Braze

---

# SECTION INDEX

## BRAKES & CONTROLS

---

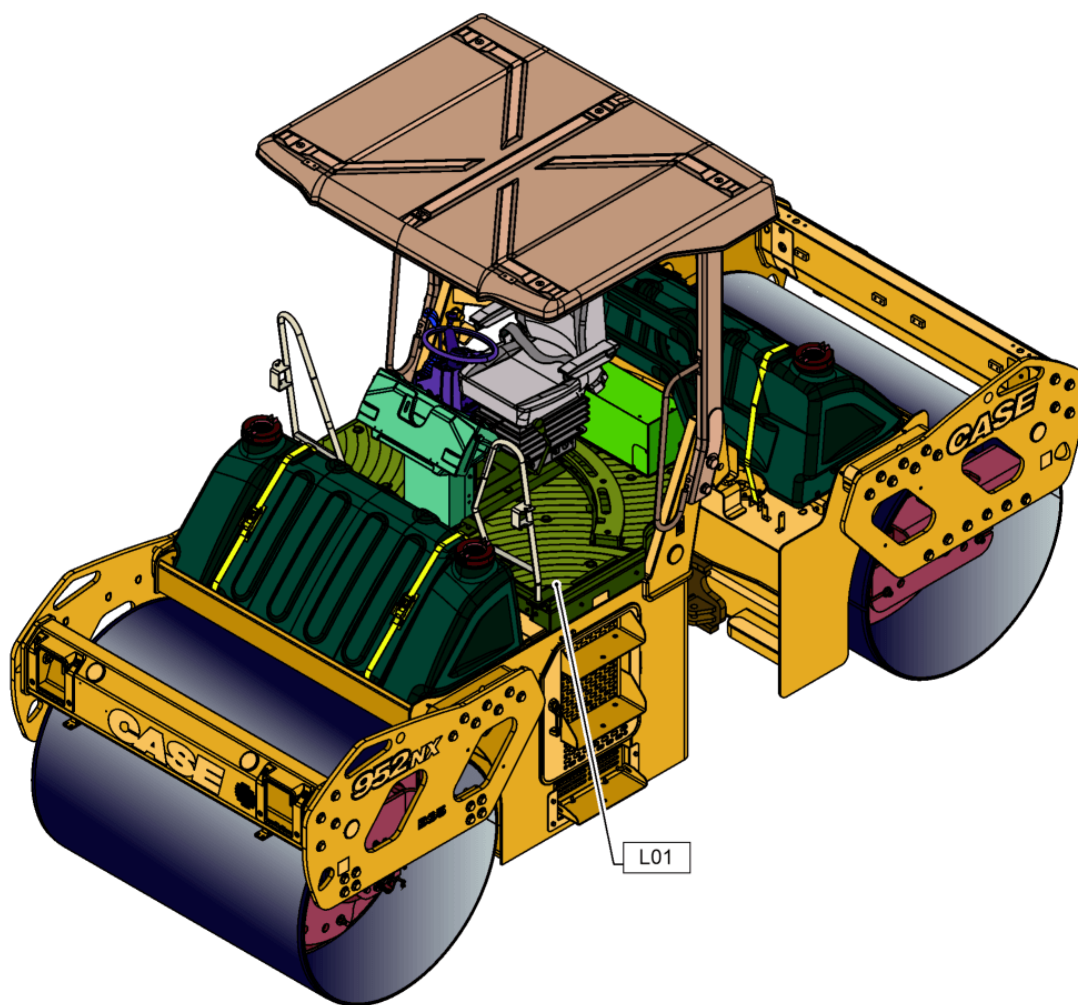
33.000.00 [01]	SECTION INDEX - BRAKES & CONTROLS
33.202.AP [01]	BRAKE, CKT
33.202.BE [01]	VAR - B547039, SOLENOID VALVE



33.000.00 [01]

p1

SECTION INDEX - BRAKES & CONTROLS



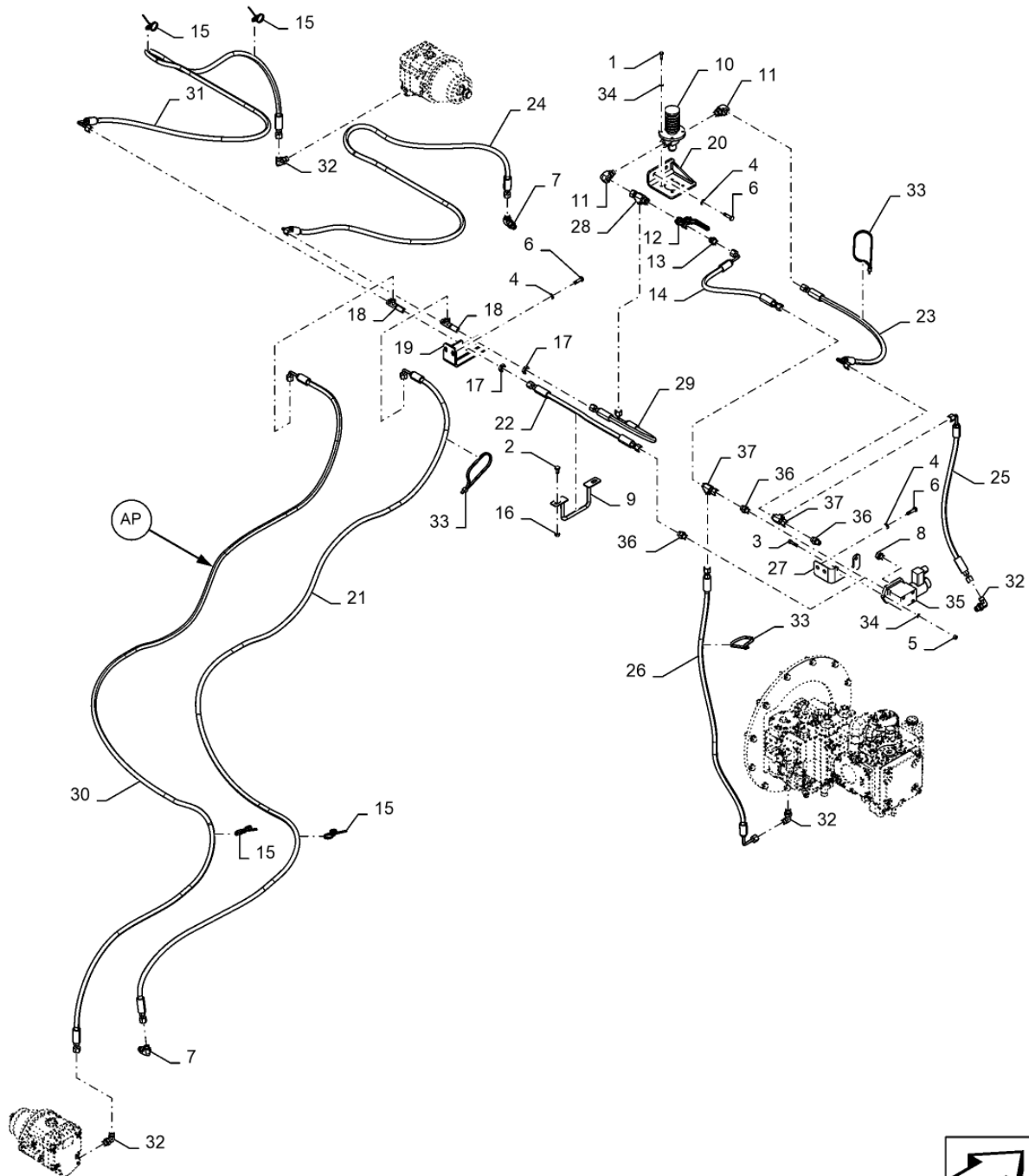
**33.000.00 [01]**

p1

**SECTION INDEX - BRAKES & CONTROLS**

REF	FIGURE NUMBER	FIGURE NAME
L01	33.202.AP[01]	BRAKE, CKT
L01	33.202.BE[01]	VAR - B547039, SOLENOID VALVE

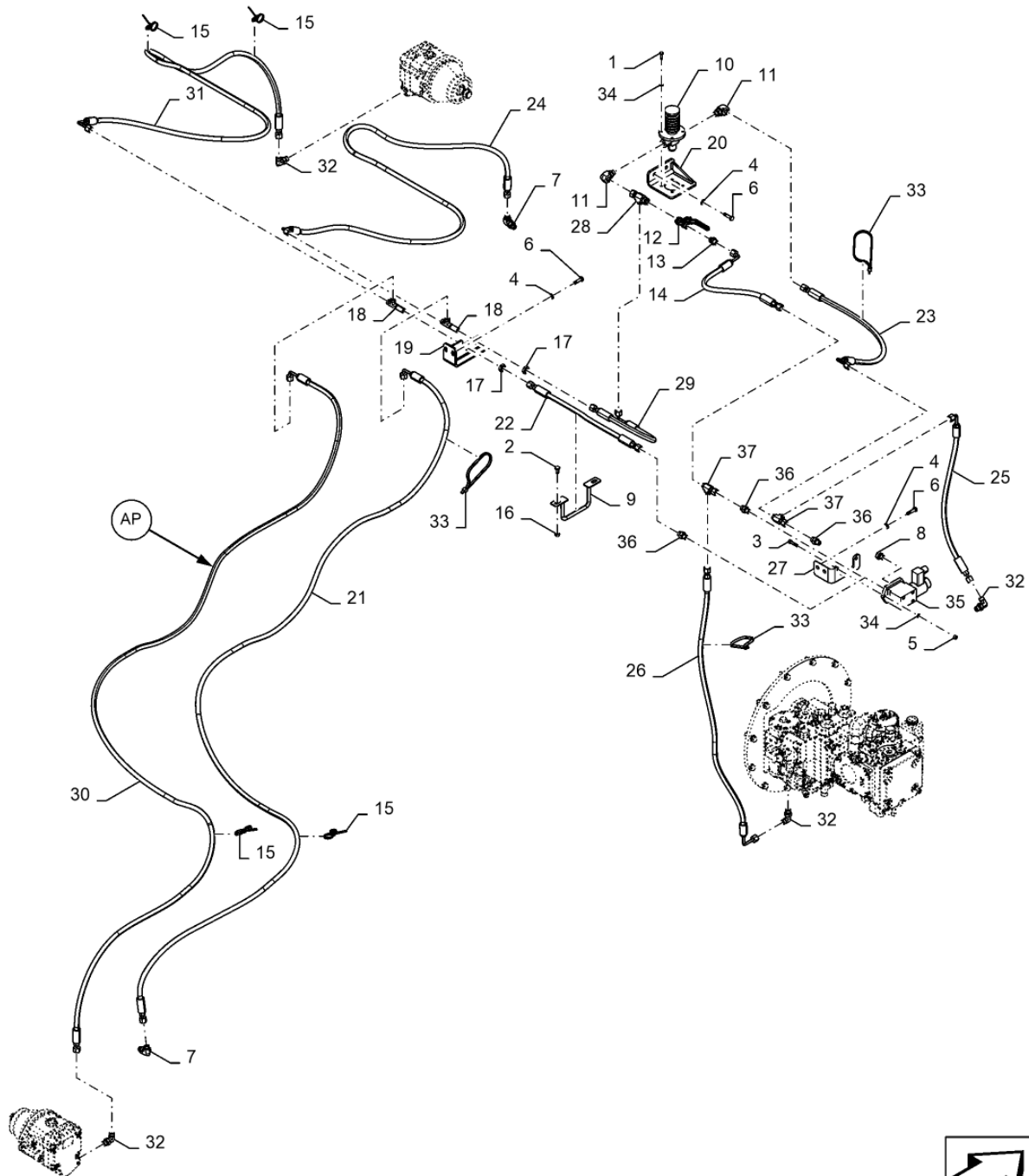
BRAKE, CKT



## BRAKE, CKT

REF	PN	QTY	DESCRIPTION	USAGE
1	10902421	4	SCREW Hex, M6 x 20mm, CI 8.8	Bolt, Replaced By 120100
2	120103	2	BOLT M8 x 1.25 x 16mm, CI 8.8	
3	14305574	2	HEX SOC SCREW M6 x 30mm, CI 12.9	
4	14496521	6	WASHER 8.4mm ID x 17mm OD x 1.6mm Thk	
5	393392	2	LOCK NUT Prev Torque, M6 x 1, CI 8	Prev Torque, Non-Mtl M6 8 Znd
6	43128	6	BOLT Hex, M8 x 1.25 x 30mm, CI 8.8, Full Thd	
7	47494314	2	90 ELBOW 90 Deg, G1/4"A, 9/16" - 18 ORFS	
8	47558945	1	PLUG	
9	47663671	1	HOSE CLAMP	
10	47770189	1	PUMP	Foot
11	47859539	2	90 ELBOW	
12	48158076	1	STD INLET VALVE	Ball Valve 1-4Bsp
13	51491338	1	HYD CONNECTOR	Conversion G1-4 X9-6 (M)
14	51569839	1	HOSE	Assy
15	82013031	4	CABLE TIE 193mm L	Double-Loop 193-210Mm
16	825-1408	2	NUT M8, CI 8	
17	86639063	2	BHD LOCK NUT 9/16"-18, ORFS Bikh	
18	87388785	2	RUN TEE	Union Bulkhead Orfs 6Mm
19	91724046	1	BRACKET	Assy, Brake Bulk Head
20	92041612	1	BRACKET	Cegra, Foot Pump
21	92041613	1	HYDRAULIC HOSE	
22	92041615	1	HOSE	Assy
23	92041617	1	HOSE	Assy
24	92048748	1	HYDRAULIC HOSE	
25	92050898	1	HOSE	Assy
26	92061406	1	HOSE	Hose Assy
27	92070227	1	BRACKET	Cegra, Brake Solenoid
28	92082082	1	RUN TEE	Conversion G1-4 X 9-16
29	92082274	1	HOSE	Assy
30	92176984	1	HYDRAULIC HOSE	
31	92177901	1	HOSE	Assy

BRAKE, CKT



# 33.202.AP [01]

p2

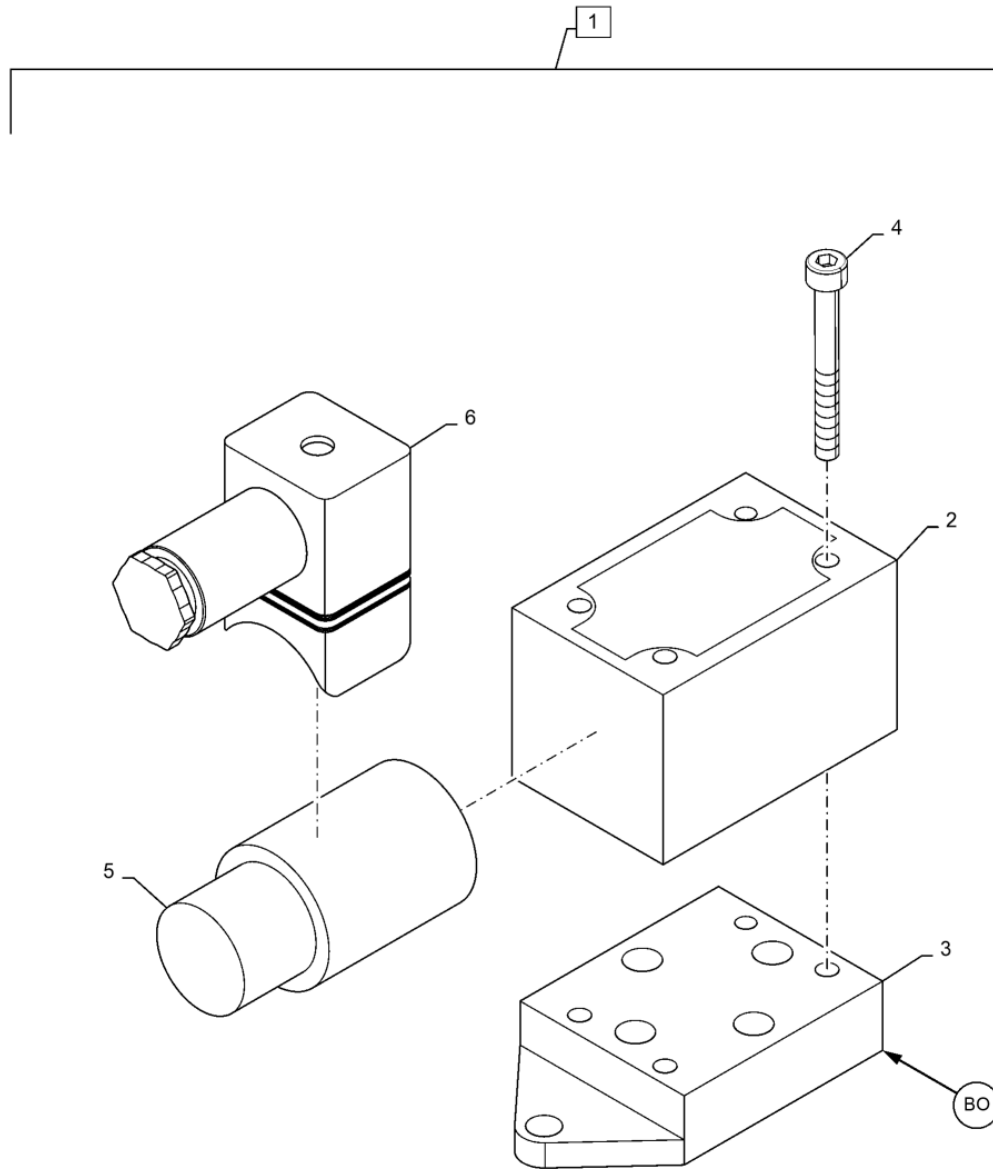
## BRAKE, CKT

REF	PN	QTY	DESCRIPTION	USAGE
32	9840542	4	ELBOW 90 Degree, 9/16"-18 x 9/16"-18, Adj, ORFS	Adj -4 Orfs X 9-16-18 Orb
33	L18331	3	CABLE TIE 375.9mm L, Nylon, Black	
34	P00034607R	6	WASHER	
35	V204010/00004	1	SOLENOID VALVE	
36	V204029/30489	3	HYD CONNECTOR	
37	V204029/30490	2	TEE	

**33.202.BE [01]**

p1

VAR - B547039, SOLENOID VALVE



**33.202.BE [01]**

p1

**VAR - B547039, SOLENOID VALVE**

REF	PN	QTY	DESCRIPTION	USAGE
1	V204010/00004	2	SOLENOID VALVE	Solenoid, Assy, Incl 2 - 6
2	48085422	1	VALVE	Direction Control
3	48085433	1	PLATE	Sub
4	48101235	4	HEX SOC SCREW	
5	48085426	1	COIL	
6	48085430	1	ELEC CONNECTOR	Electric

---

## SECTION INDEX

### HYDRAULIC SYSTEMS

---

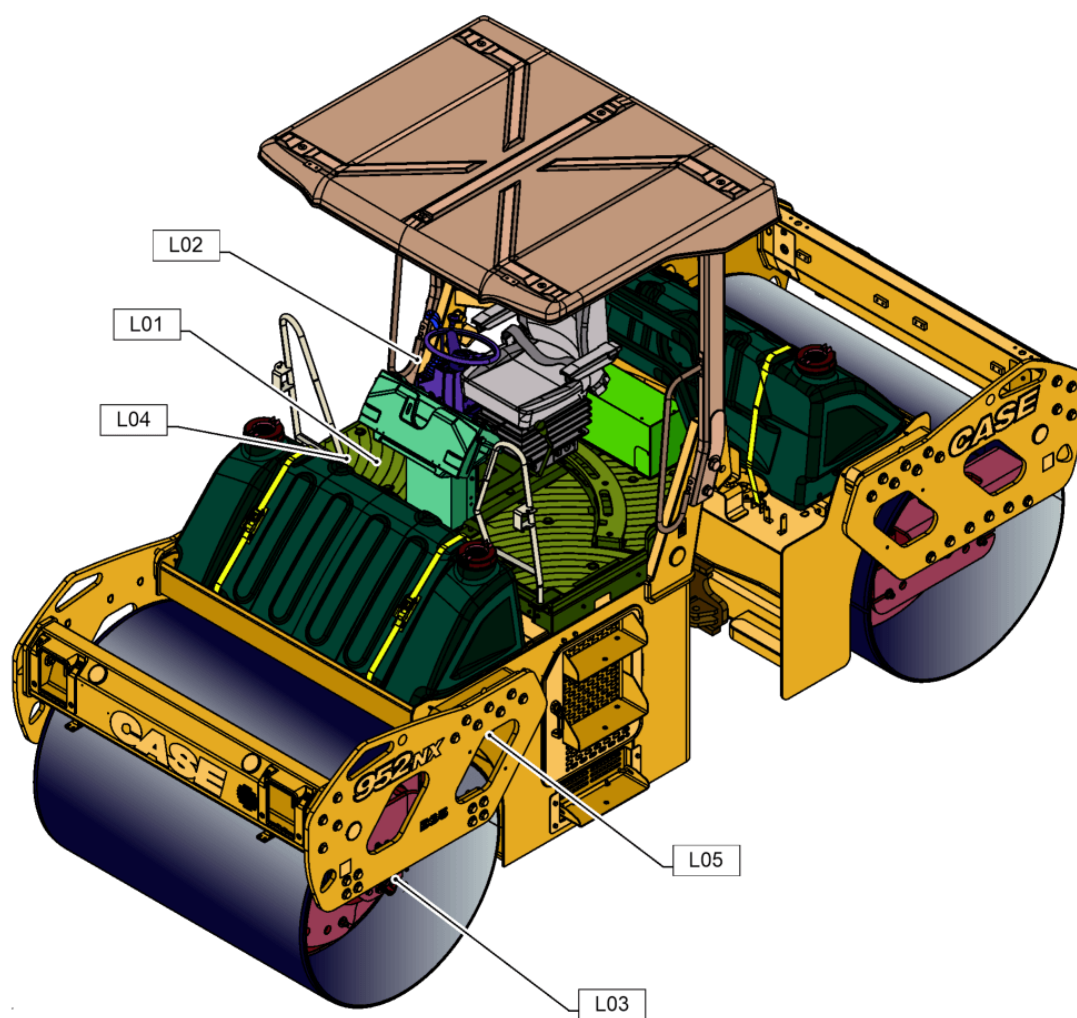
35.000.00 [01]	SECTION INDEX - HYDRAULIC SYSTEMS
35.104.AA [01]	PUMP, TANDEM MOUNTING
35.300.AQ [01]	TANK, HYDRAULIC
35.300.AQ [02]	OIL COOLER, CKT
35.300.BC [01]	LEAK CKT
35.353.AE [01]	TRAVEL CKT
35.353.AE [02]	TRAVEL CKT
35.995.AA [01]	KIT, CYLINDER, BLOCK, PUMP, TRAVEL
35.995.AA [02]	HYDRAULIC, PUMP, TRAVEL
35.995.AA [03]	HYDRAULIC, PUMP, TRAVEL
35.995.AA [04]	HYDRAULIC, PUMP, TRAVEL
35.995.AA [05]	HYDRAULIC, PUMP, TRAVEL
35.995.AA [06]	HYDRAULIC, PUMP, TRAVEL
35.995.AA [07]	HYDRAULIC, PUMP, VIBRATION
35.995.AA [08]	HYDRAULIC, PUMP, VIBRATION
35.995.AA [09]	HYDRAULIC, PUMP, VIBRATION
35.995.AA [10]	MOTOR, HYD, VIBRATION
35.995.AB [01]	VIBRATION CKT
35.995.AB [02]	VIBRATION CKT
35.995.AB [03]	BLOCK, VIBRATION



35.000.00 [01]

p1

SECTION INDEX - HYDRAULIC SYSTEMS



**35.000.00 [01]**

p1

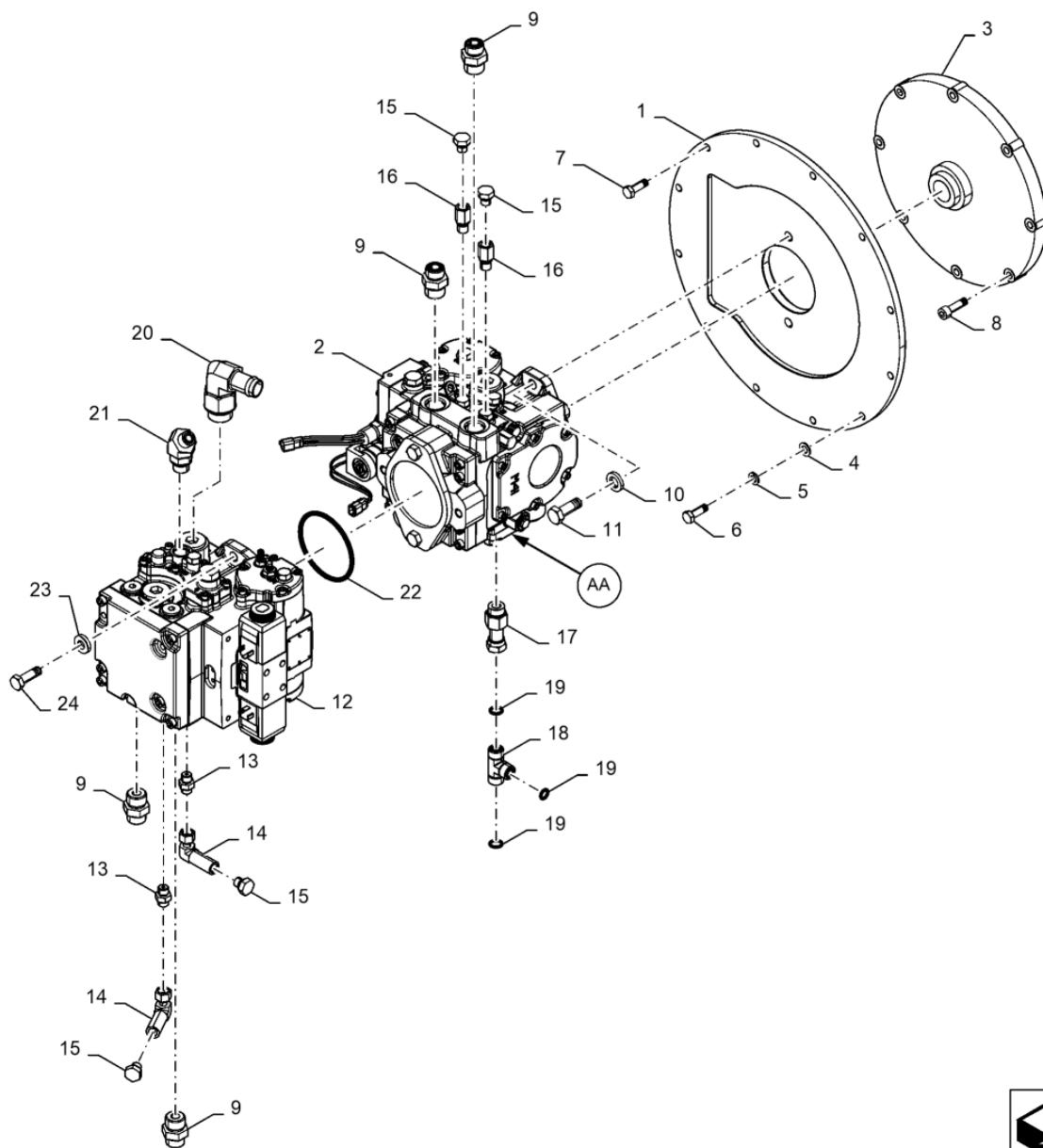
**SECTION INDEX - HYDRAULIC SYSTEMS**

<b>REF</b>	<b>FIGURE NUMBER</b>	<b>FIGURE NAME</b>
L01	35.104.AA[01]	PUMP, TANDEM MOUNTING
L01	35.995.AA[01]	KIT, CYLINDER, BLOCK, PUMP, TRAVEL
L01	35.995.AA[02]	HYDRAULIC, PUMP, TRAVEL
L01	35.995.AA[04]	HYDRAULIC, PUMP, TRAVEL
L01	35.995.AA[05]	HYDRAULIC, PUMP, TRAVEL
L01	35.995.AA[06]	HYDRAULIC, PUMP, TRAVEL
L02	35.300.AQ[01]	TANK, HYDRAULIC
L02	35.300.AQ[02]	OIL COOLER, CKT
L02	35.300.BC[01]	LEAK CKT
L03	35.353.AE[01]	TRAVEL CKT
L03	35.353.AE[02]	TRAVEL CKT
L04	35.995.AA[07]	HYDRAULIC, PUMP, VIBRATION
L04	35.995.AA[08]	HYDRAULIC, PUMP, VIBRATION
L04	35.995.AA[09]	HYDRAULIC, PUMP, VIBRATION
L04	35.995.AA[10]	MOTOR, HYD, VIBRATION
L05	35.995.AB[01]	VIBRATION CKT
L05	35.995.AB[02]	VIBRATION CKT
L05	35.995.AB[03]	BLOCK, VIBRATION

35.104.AA [01]

p1

PUMP, TANDEM MOUNTING



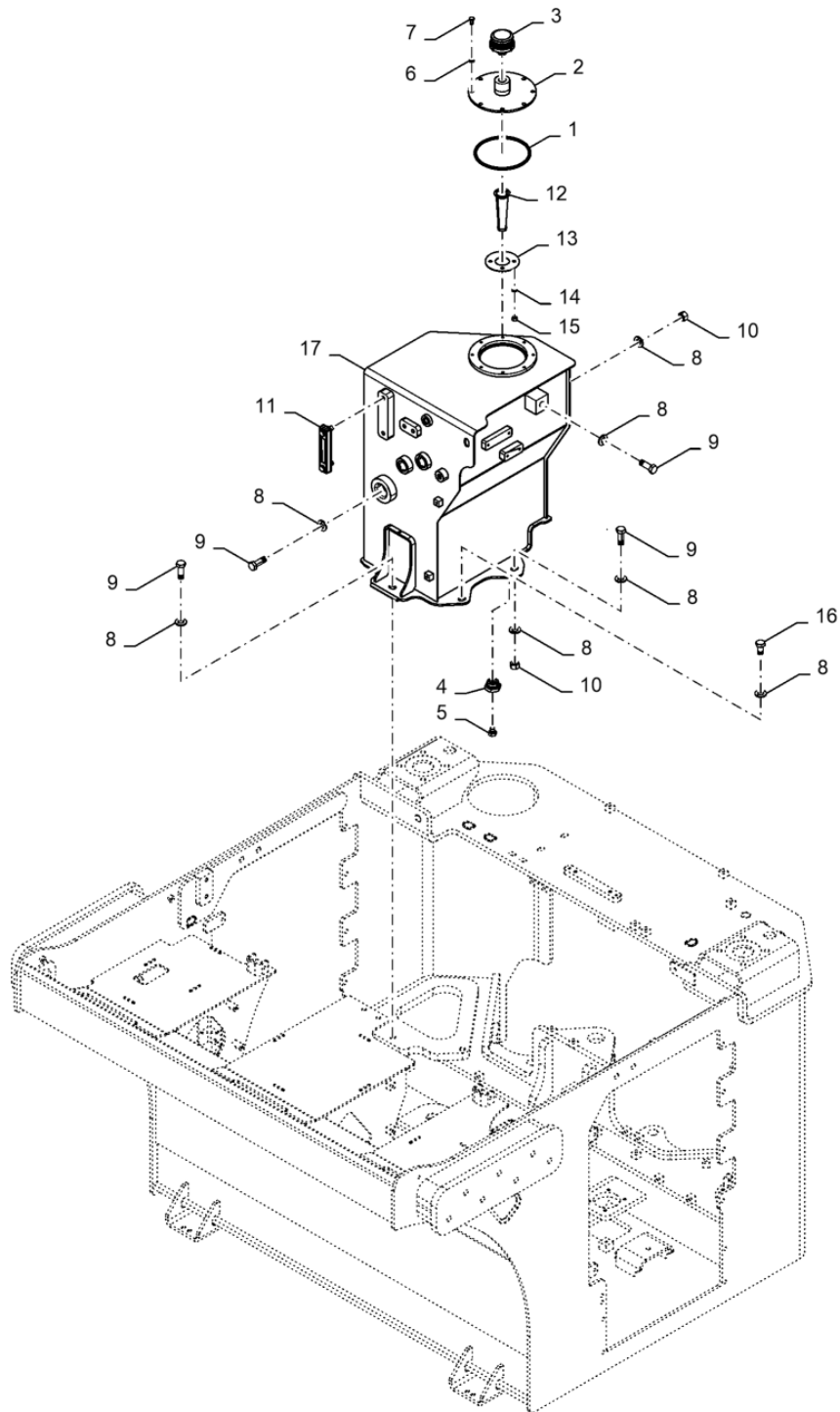
## PUMP, TANDEM MOUNTING

REF	PN	QTY	DESCRIPTION	USAGE
1	47836318	1	PLATE	Pump Mounting
2	51540309	1	HYDRAULIC PUMP	Hydro
3	V004033/25200	1	COUPLING	
4	895-11010	12	WASHER 11mm ID x 20mm OD x 2mm Thk	
5	892-11010	12	LOCK WASHER M10	
6	43140	10	BOLT Hex, M10 x 1.5 x 30mm, CI 8.8, Full Thd	
7	9706704	2	BOLT Hex, M10 x 1.5 x 35mm, CI 8.8, Full Thd	
8	14420374	8	HEX SOC SCREW M10 x 35mm, CI 12.9	
9	83962539	4	HYD CONNECTOR 1" - 14 ORFS x 1-1/16 - 12 ORB	
10	P04628739N	2	WASHER	
11	P00033848R	2	BOLT Hex, M14 x 2 x 40mm, CI 8.8	
12	47826025	1	HYDRAULIC PUMP	Vibration
13	85802803	2	FITTING 9/16"-18 ORFS x 9/16"-18 ORB	Connector, Hyd, Str -4 Orfs X 9-16-18 Or
14	90390716	2	90 ELBOW	Swivel, Hyd, , Connector
15	47558945	4	PLUG	G 1-4 Inch
16	V204029/30395	1	ADAPTER	
17	51570528	1	HYD CONNECTOR	Long 13-16 X 7-8
18	86533127	1	TEE 13/16" - 16 ORFS x 13/16" - 16 ORFS x 13/16" - 16 ORFS	Union -8 Orfs Metric Hex
19	9992298	3	O-RING 12.4mm ID x 1.78mm Thk, HNBR	
20	92158952	1	HOSE FITTING	90Elb 1 To 1-5-16-12 Orb
21	87026877	1	ELBOW 45 Degree, 13/16"-16 x 7/8"-14, Adj, ORFS	45, Adj -8 Orfs X 7-8-14 Orb Jump
22	V204029/60155	1	O-RING	
23	V204010-70004	2	WASHER D13XD27X5	
24	V204010/70015	1	BOLT	

35.300.AQ [01]

p1

TANK, HYDRAULIC



**35.300.AQ [01]**

p1

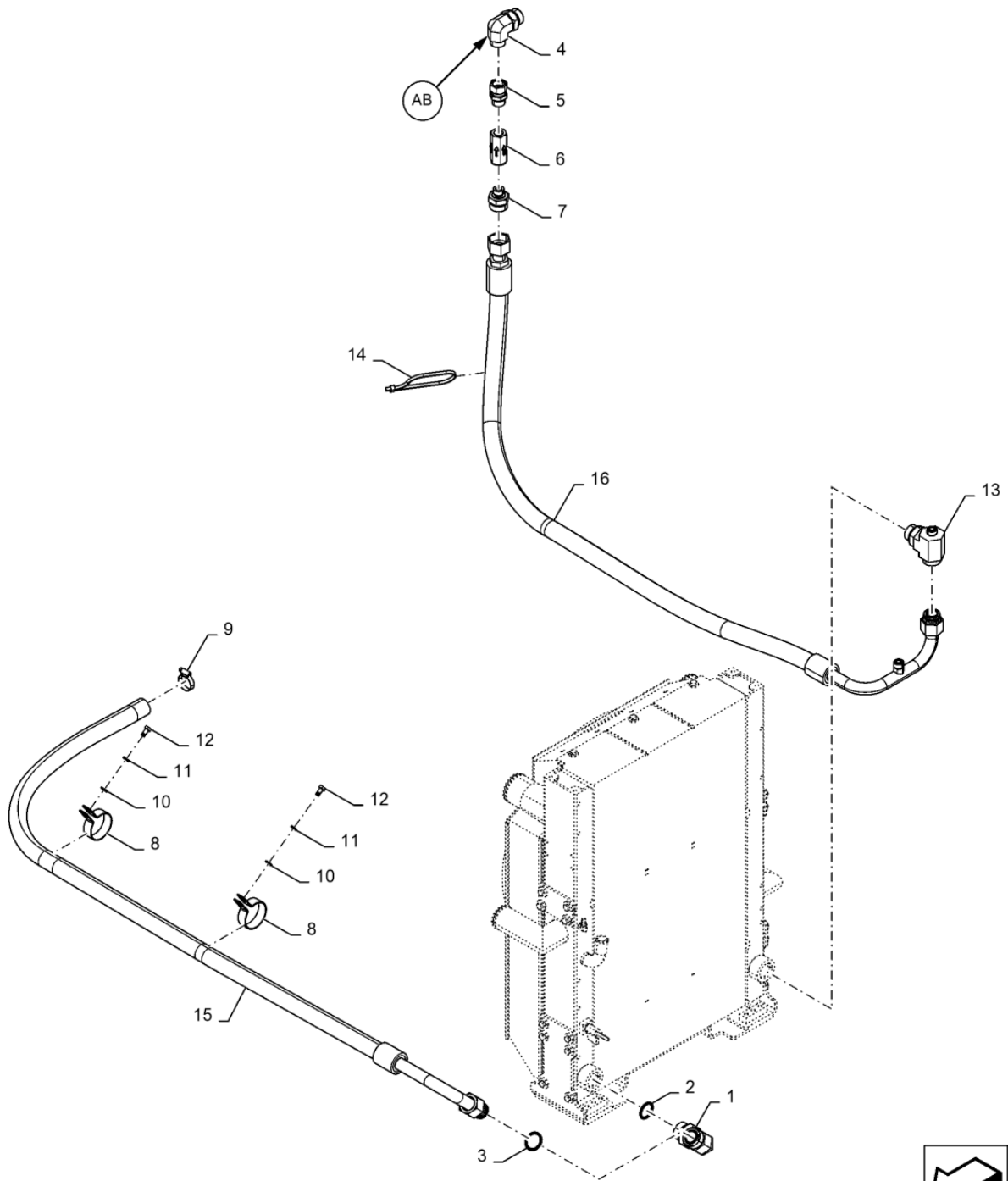
**TANK, HYDRAULIC**

REF	PN	QTY	DESCRIPTION	USAGE
1	47558946	1	O-RING	Hyd Tank
2	92140948	1	FILLER NECK	Cegra, Oil
3	BU4430027	1	BREATHER FILTER, 2 MICRON	
4	91727008	1	MAGNETIC PLUG	Drain
5	47558945	1	PLUG	G 1/4 Inch
6	11193879	8	WASHER M8 Bolt Size x 16mm OD x 1.4mm Thk	Belleville, 8.4X16, Znm
7	120103	8	BOLT M8 x 1.25 x 16mm, CI 8.8	M8X16 Full 8.8 Znd
8	11191579	7	BELLEVILLE WASHER M16 Bolt Size x 34mm OD x 3.6mm Thk	17X34, Znm
9	86508624	4	BOLT Hex, M16 x 2 x 45mm, CI 10.9, Full Thd	M16X45 Full 10.9 Znd
10	392530	2	NUT Hex, M16 x 2, CI 10, ZND	M16 10 Znd
11	92045001	1	LEVEL INDICATOR	Hyd Oil
12	BU0360092	1	FILTER STRAINER	
13	V207010/40982	1	PLATE	Strainer Resting
14	895-11008	4	WASHER 9mm ID x 16mm OD x 1.6mm Thk	
15	832-10408	4	LOCK NUT M8 x 1.25, CI 8.8	Prev Torque
16	86508623	1	BOLT Hex, M16 x 2 x 30mm, CI 10.9, Full Thd	M16X30 Full 10.9 Znd
17	92186086	1	TANK	Wa, Pwrtan Hydraulic

35.300.AQ [02]

p1

OIL COOLER, CKT



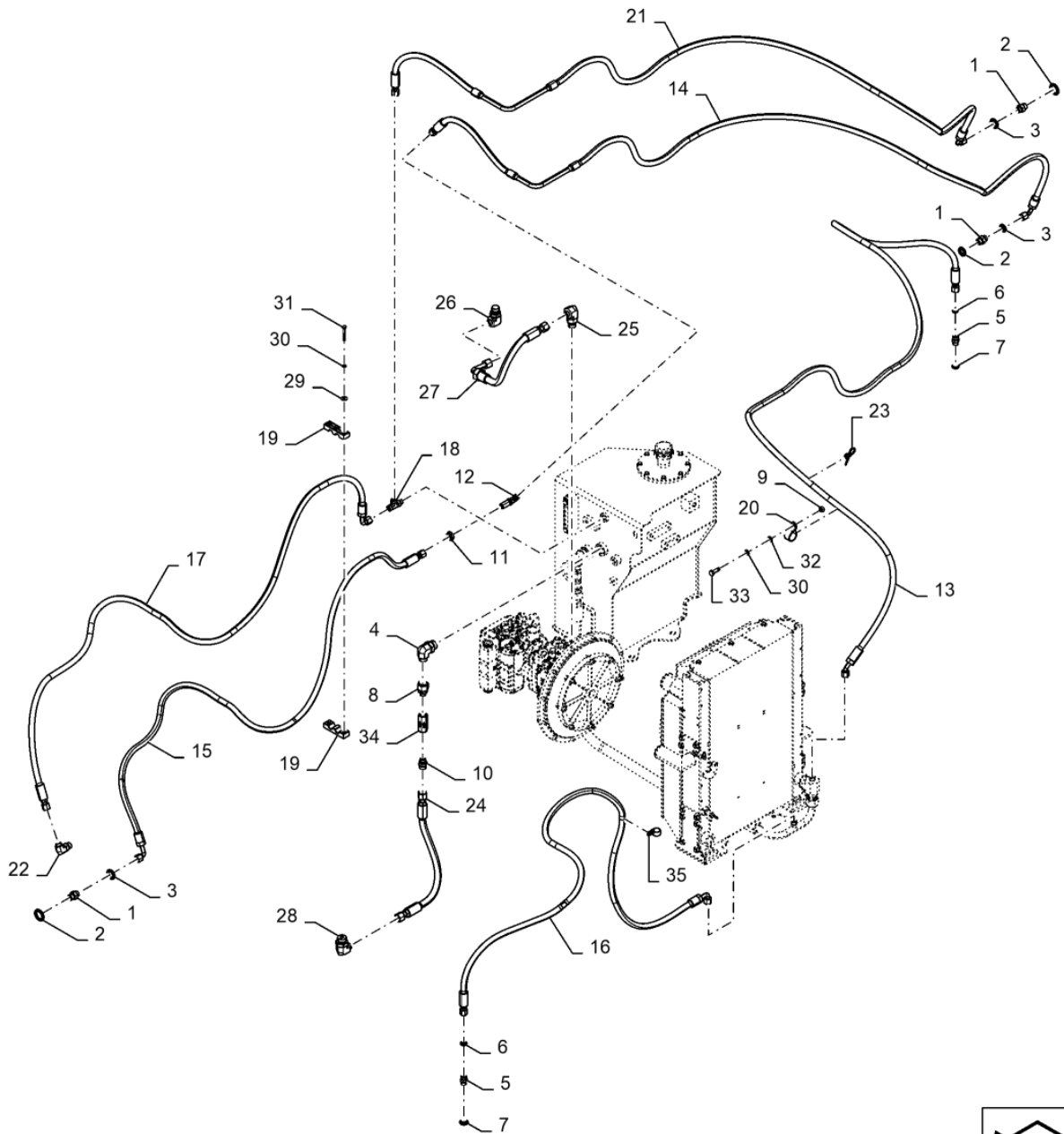
**35.300.AQ [02]**

p1

**OIL COOLER, CKT**

REF	PN	QTY	DESCRIPTION	USAGE
1	9846955	1	90 ELBOW 1-7/16"-12 ORFS x 1-5/16"-12 ORB	Adj -16 Orfs X 1-5/16-12 Orb
2	167268	1	O-RING 0.116" Thk x 1.171" ID, -916, CI 6, 90 Duro	116X1.171 916 6
3	9824050	1	O-RING 23.5mm ID x 1.78mm Thk, HNBR	07 X .926 21 6
4	87326965	1	90 ELBOW 1-3/16" - 12 ORFS x 1-5/16" - 12 ORB	Adj -12 Orfs X 1-5/16-12 Orb
5	47859543	1	HYD CONNECTOR	G1/2 X 1-3/16
6	P20043342R	1	CHECK VALVE	Inline Straight
7	47859540	1	HYD CONNECTOR	G1/2 X 1-7/16
8	51692640	2	CLAMP	Radiator, O Shape
9	BU3690008	1	CLAMP	Hose,(Klipco 35A)
10	895-11008	2	WASHER 9mm ID x 16mm OD x 1.6mm Thk	
11	892-11008	2	LOCK WASHER 8mm ID	8.3X14.8 Znd
12	120103	2	BOLT M8 x 1.25 x 16mm, CI 8.8	M8X16 Full 8.8 Znd
13	92179569	1	RUN TEE	1-7/16-12 ,1-5/16-12 , 13/16-16
14	L18331	1	CABLE TIE 375.9mm L, Nylon, Black	
15	92058436	1	HOSE	Tube, Hyd Wa, Combo
16	92174882	1	HOSE	Tube, Hyd Wa, Combo

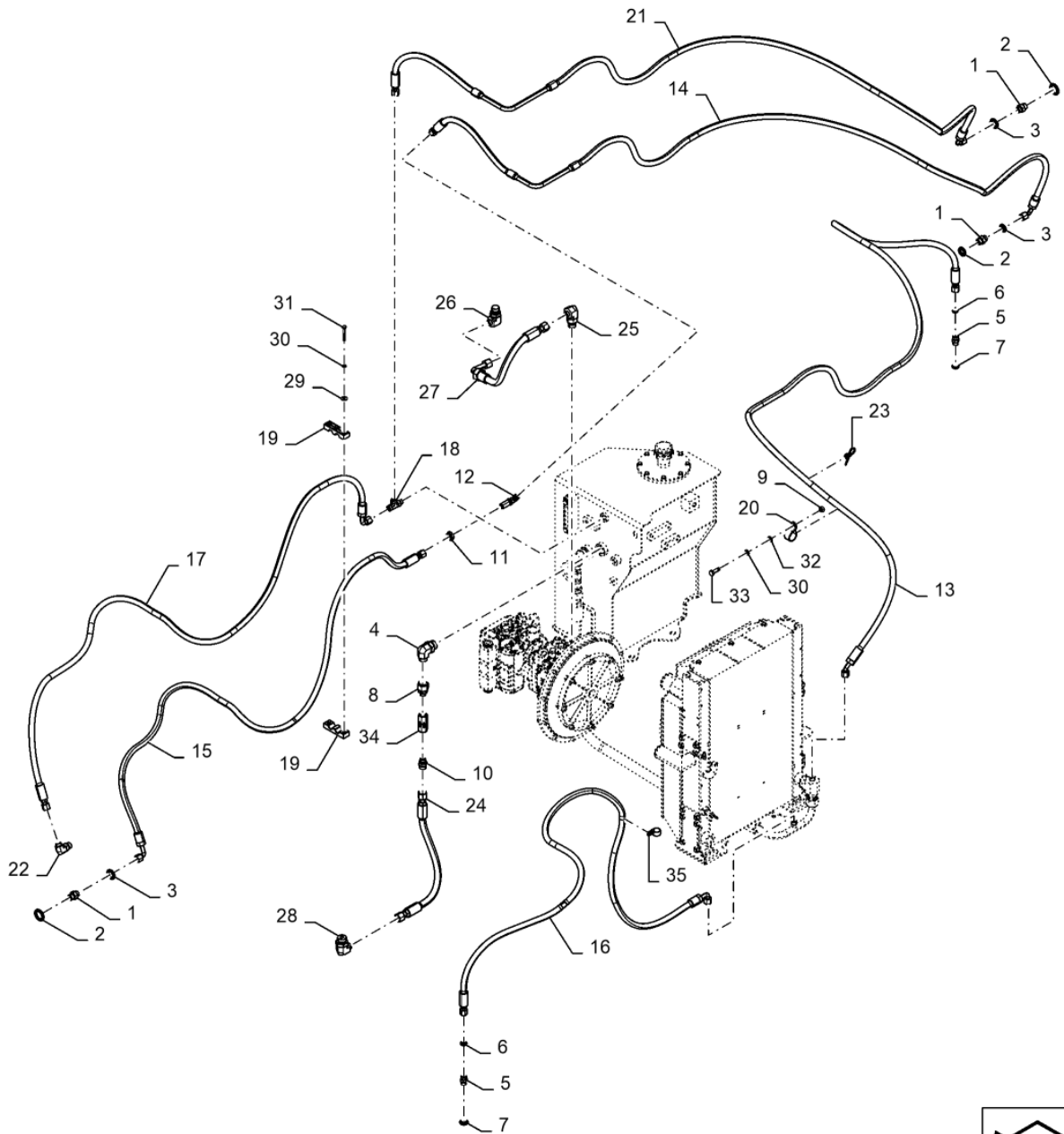
LEAK CKT



## LEAK CKT

REF	PN	QTY	DESCRIPTION	USAGE
1	83963376	3	FITTING 13/16"-16 ORFS x 7/8"-14 ORB	Connector, Hyd
2	80167269	6	O-RING 0.097" Thk x 0.755" ID, -910, CI 6, 90 Duro	
3	89992298	6	O-RING 0.07" Thk x 0.489" ID, -14, CI 6, 90 Duro	
4	87326965	1	90 ELBOW 1-3/16" - 12 ORFS x 1-5/16" - 12 ORB	Adj -12 Orfs X 1-5-16-12 Orb
5	9992305	2	HYD CONNECTOR 13/16" - 16 ORFS x 3/4" - 16 ORB	8 Orfs X 3-4-16 Orb
6	128825	4	O-RING 0.087in Thk x 0.644in ID, -908, CI 6, 90 Duro	.087X.644 908 6
7	9992298	4	O-RING 12.4mm ID x 1.78mm Thk, HNBR	.07 X .489 14 6
8	91725104	1	HYD CONNECTOR	G1-2 X 1-3-16
9	825-1408	1	NUT M8, CI 8	
10	47859535	1	HYD CONNECTOR	1-14 Orfs Orb G1-2
11	86639083	1	BHD LOCK NUT 13/16"-16 ORFS, Bulkhead	13-16-16X9 Orfs-8 Cst
12	92064060	1	ELBOW	Bulkhead 13-16-16
13	92041142	1	HOSE	Assy
14	92041138	1	HOSE	Assy, Wa Hyd
15	92196073	1	HYDRAULIC HOSE	
16	92177290	1	HYDRAULIC HOSE	
17	92041143	1	HYDRAULIC HOSE	
18	84533155	1	RUN TEE 13/16" - 16 ORFS x 13/16" - 16 ORFS x 3/4" - 16 ORB	-8 Orfs X 3-4-16 Orb
19	92081513	2	CLAMP	Tube Nylon
20	86637977	1	CLAMP 25.4mm, Coat, 8.7mm Bolt Hole, P Type	Closed 25.4Mm Insul 5-16 Bolt
21	92178626	1	HOSE	Assy
22	85802961	1	ELBOW 13/16"-16 UN-2A x 7/8"-14 UNF-2A	90, 13-16-16 Orfs 7-8-14 Orb Jump
23	82013031	1	CABLE TIE 193mm L	Double-Loop 193-210Mm
24	92059919	1	HOSE	Assy
25	48166884	1	90 ELBOW	djustable 13-16 X 1-5-16
26	47861036	1	90 ELBOW	Adjustable 13-16 X 1-5-16
27	92060791	1	HOSE	Assy

LEAK CKT



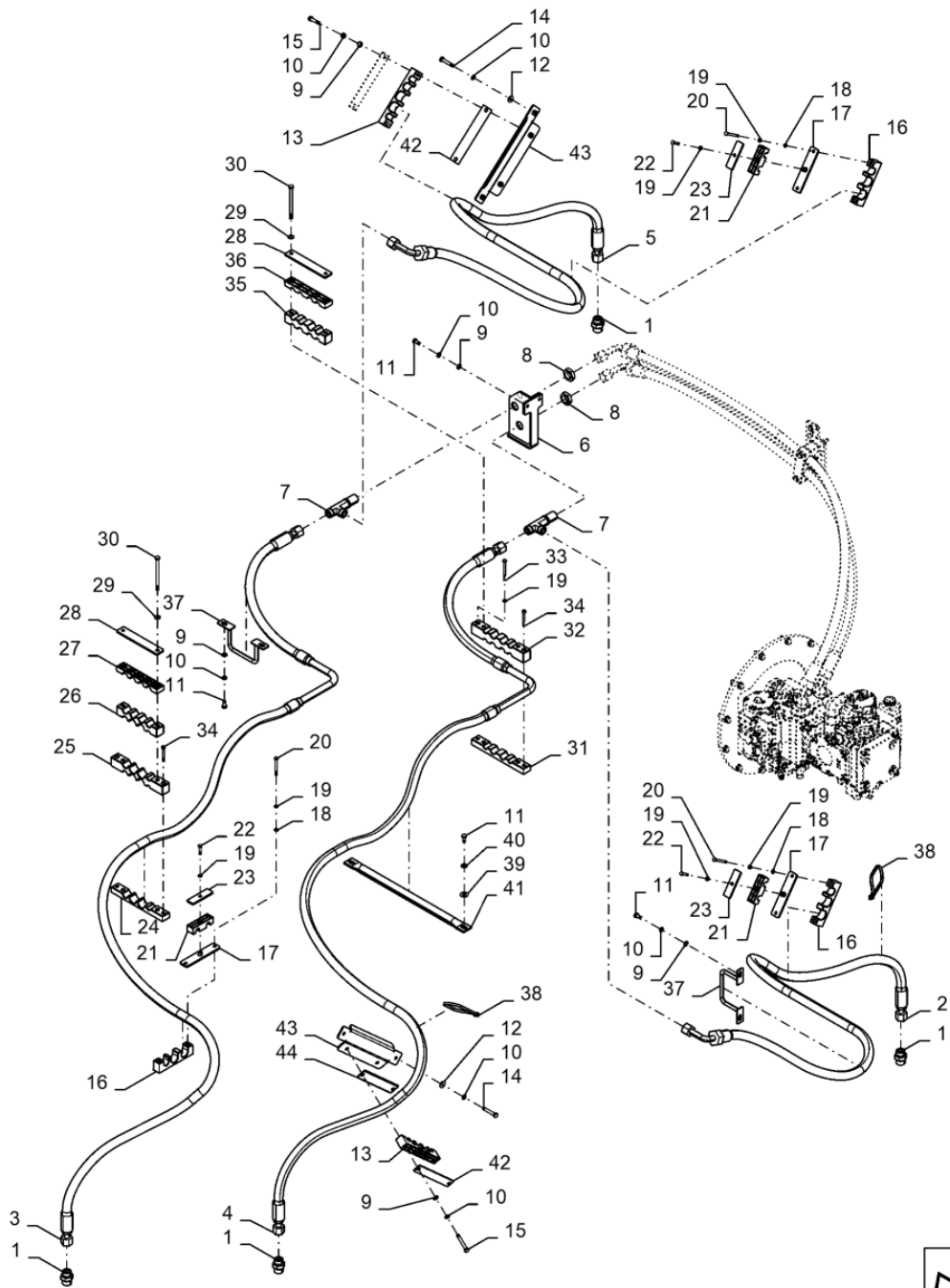
**35.300.BC [01]**

p2

**LEAK CKT**

<b>REF</b>	<b>PN</b>	<b>QTY</b>	<b>DESCRIPTION</b>	<b>USAGE</b>
28	87376123	1	90 ELBOW	Adj -10Orfsx1-5-16-12 Orb Jump
29	86639313	2	WASHER 9mm ID x 24mm OD x 2mm Thk, CST, ZND	9X24X2 Cst Znd
30	892-11008	3	LOCK WASHER 8mm ID	8.3X14.8 Znd
31	120061	2	BOLT Hex, M8 x 1.25 x 60mm, CI 8.8	M8X60 8.8 Znd
32	895-11008	1	WASHER 9mm ID x 16mm OD x 1.6mm Thk	
33	43127	1	BOLT Hex, M8 x 1.25 x 25mm, CI 8.8, Full Thd	M8X25 Full 8.8 Znd
34	V204010/60165	1	CHECK VALVE	G1/2IN-3 BA
35	85802890	1	CLAMP 28mm, Coat, 12.5mm Bolt Hole, P Type	

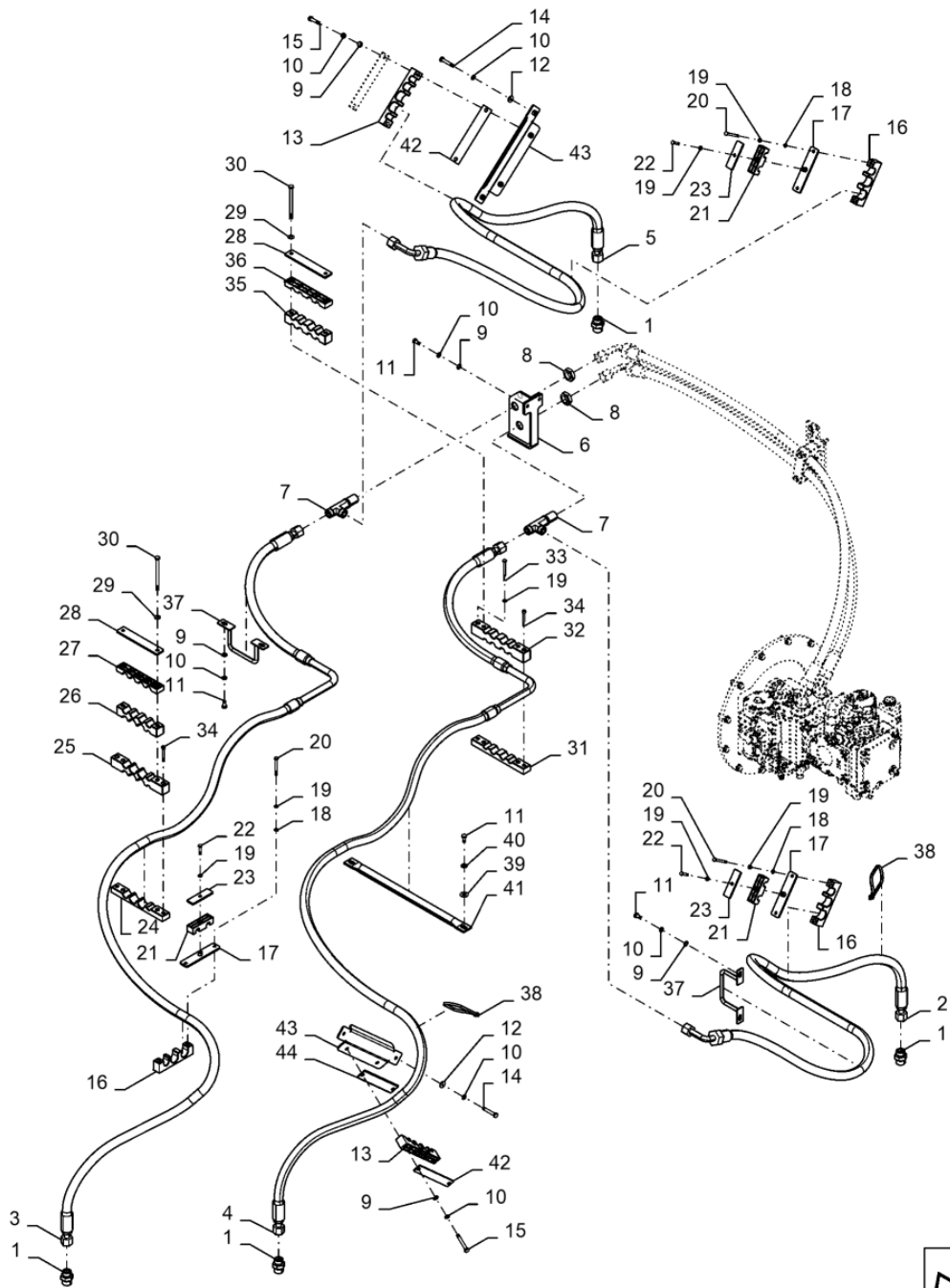
TRAVEL CKT



## TRAVEL CKT

REF	PN	QTY	DESCRIPTION	USAGE
1	83962539	4	HYD CONNECTOR 1" - 14 ORFS x 1-1/16 - 12 ORB	-10Orfsx1-1/16-12 Orb Ju
2	92180019	1	HOSE	Travel Motor Front Port B
3	92180017	1	HOSE	Travel Motor Rear Port B
4	92180016	1	HOSE	Travel Motor Rear Port A
5	92180018	1	HOSE	Travel Motor Front Port A
6	92170204	1	BRACKET	Cegra, Bulkhead
7	92182203	2	UNION TEE	Bulk-Hd Orfs 1-14Un
8	86639085	2	BHD LOCK NUT 1"-14, Bulkhead	Bhd Lock, 1-14X10.5 Orfs-10 Cst
9	895-11008	10	WASHER 9mm ID x 16mm OD x 1.6mm Thk	
10	892-11008	14	LOCK WASHER 8mm ID	Lock, 8.3X14.8 Znd
11	120104	8	BOLT Hex, M8 x 1.25 x 20mm, Cl 8.8, Full Thd	M8X20 Full 8.8 Znd
12	12647121	4	WASHER 8.15mm ID x 20mm OD x 3mm Thk	8.15X20X3 R 80 Znd
13	92170148	2	CLAMP	Hose
14	43130	4	BOLT Hex, M8 x 1.25 x 50mm, Cl 8.8	M8X50 8.8 Znd
15	120061	4	BOLT Hex, M8 x 1.25 x 60mm, Cl 8.8	M8X60 8.8 Znd
16	92061544	3	CLAMP	Hose
17	51570418	3	PLATE	Support, Blk
18	895-11006	7	WASHER 6.6mm ID x 12mm OD x 1.6mm Thk	
19	892-11006	9	LOCK WASHER M6	6.3X11.8 Znd
20	338413	6	BOLT Hex, M6 x 1 x 60mm, Cl 8.8	6X60 8.8 Znd
21	92058492	3	CLAMP	Hose
22	43117	3	BOLT Hex, M6 x 1.0 x 30mm, Cl 8.8	M6X30 8.8 Znd
23	92159383	3	PLATE	Support
24	92031077	1	CLAMP	Hose
25	92031078	1	CLAMP	Hose
26	92031079	1	CLAMP	Hose
27	92049021	1	CLAMP	Hose
28	92049014	2	PLATE	Support
29	322358	4	BELLEVILLE WASHER M8 Bolt Size x 18mm OD x 1.4mm Thk	9.2X18 Znm
30	16045521	4	SCREW Hex, M8 x 1.25 x 115mm, Cl 8.8	Do Not Use In Iveco Assy

TRAVEL CKT



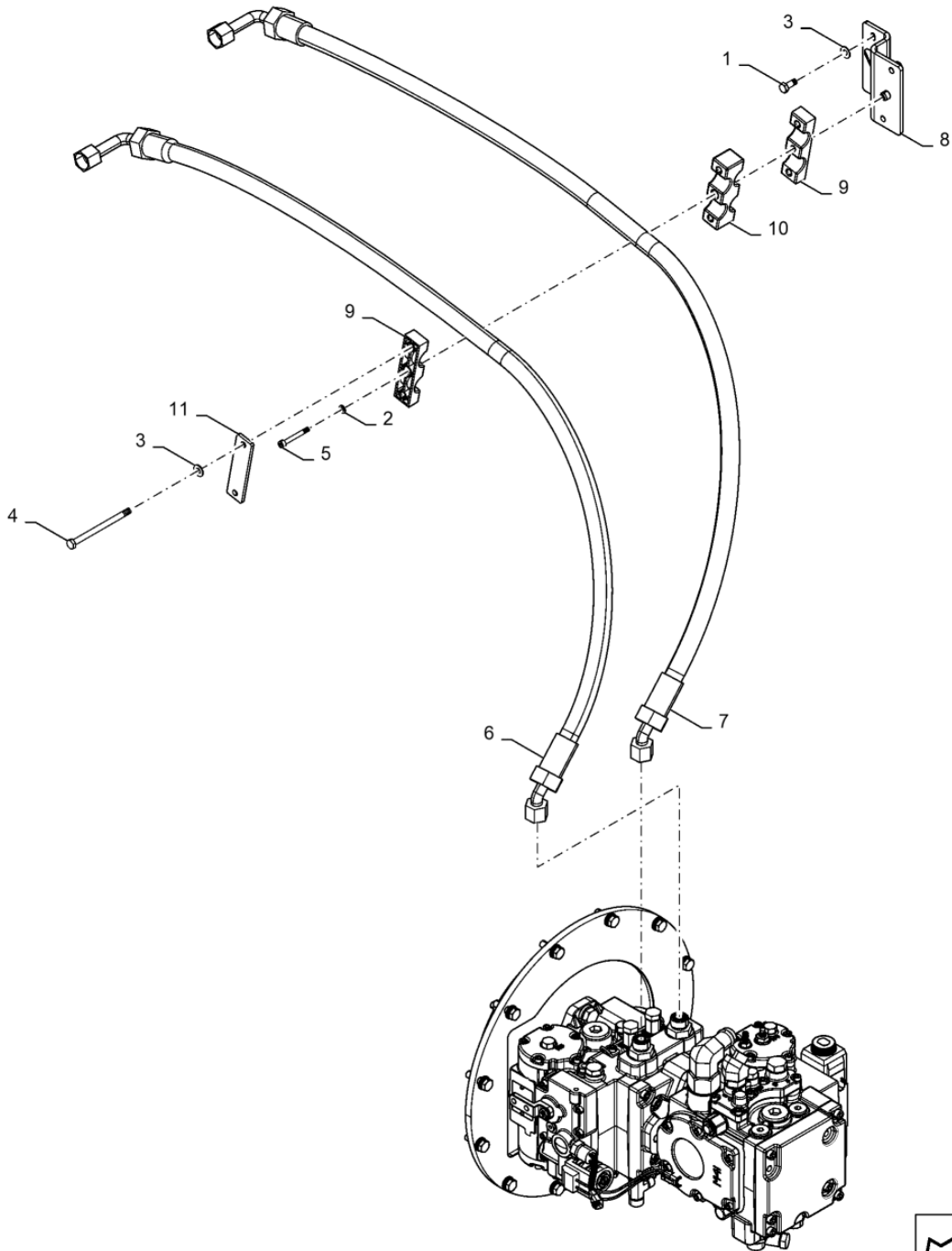
## TRAVEL CKT

REF	PN	QTY	DESCRIPTION	USAGE
31	92032919	1	CLAMP	Hose
32	92032918	1	CLAMP	Hose
33	86508569	1	BOLT Hex, M6 x 70mm, Cl 8.8	M6X70 8.8 Znd
34	47940518	3	HEX SOC SCREW Hex Socket, M6 x 1.0 x 50mm L, CL 12.9	M6X50 12.9 Dac
35	92032917	1	CLAMP	Hose
36	92049018	1	CLAMP	Hose
37	47663671	2	HOSE CLAMP	
38	L18331	3	CABLE TIE 375.9mm L, Nylon, Black	
39	86625253	2	WASHER 11mm ID x 24mm OD x 2mm Thk, CST, ZND	11X24X2 Cst Znd
40	892-11010	2	LOCK WASHER M10	10.4X18.1 Znd
41	92212449	1	TUBE	Pwrtan, Flat Ends
42	92170149	2	PLATE	Plate, Support
43	92167408	2	BRACKET	Bracket Cegra, Hose Clamp
44	92293292	2	STRIP	Nylon

35.353.AE [02]

p1

TRAVEL CKT



**35.353.AE [02]**

p1

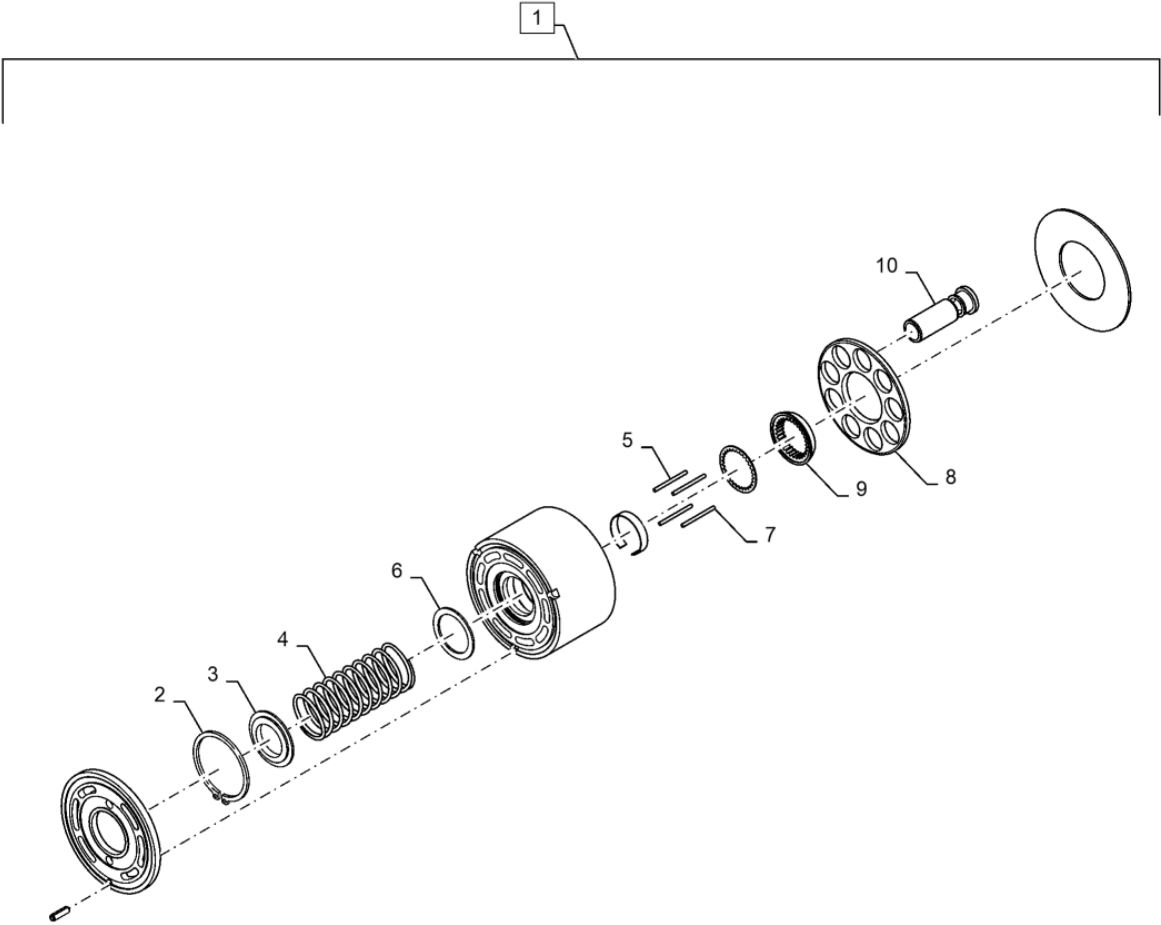
**TRAVEL CKT**

REF	PN	QTY	DESCRIPTION	USAGE
1	120104	2	BOLT Hex, M8 x 1.25 x 20mm, Cl 8.8, Full Thd	M8X20 Full 8.8 Znd
2	895-11006	1	WASHER 6.6mm ID x 12mm OD x 1.6mm Thk	
3	322358	4	BELLEVILLE WASHER M8 Bolt Size x 18mm OD x 1.4mm Thk	9.2X18 Znm
4	16045521	2	SCREW Hex, M8 x 1.25 x 115mm, Cl 8.8	Bolt, Do Not Use In Iveco Assy
5	47940518	1	HEX SOC SCREW Hex Socket, M6 x 1.0 x 50mm L, CL 12.9	M6X50 12.9 Dac
6	92170513	1	HOSE	Pump Port A
7	92180020	1	HOSE	Pump Port B
8	92180138	1	BRACKET	Cegra, Hose Clamp
9	92176437	2	CLAMP	Hose
10	92176451	1	CLAMP	Hose
11	92180594	1	PLATE	Support

35.995.AA [01]

p1

KIT, CYLINDER, BLOCK, PUMP, TRAVEL



**35.995.AA [01]**

p1

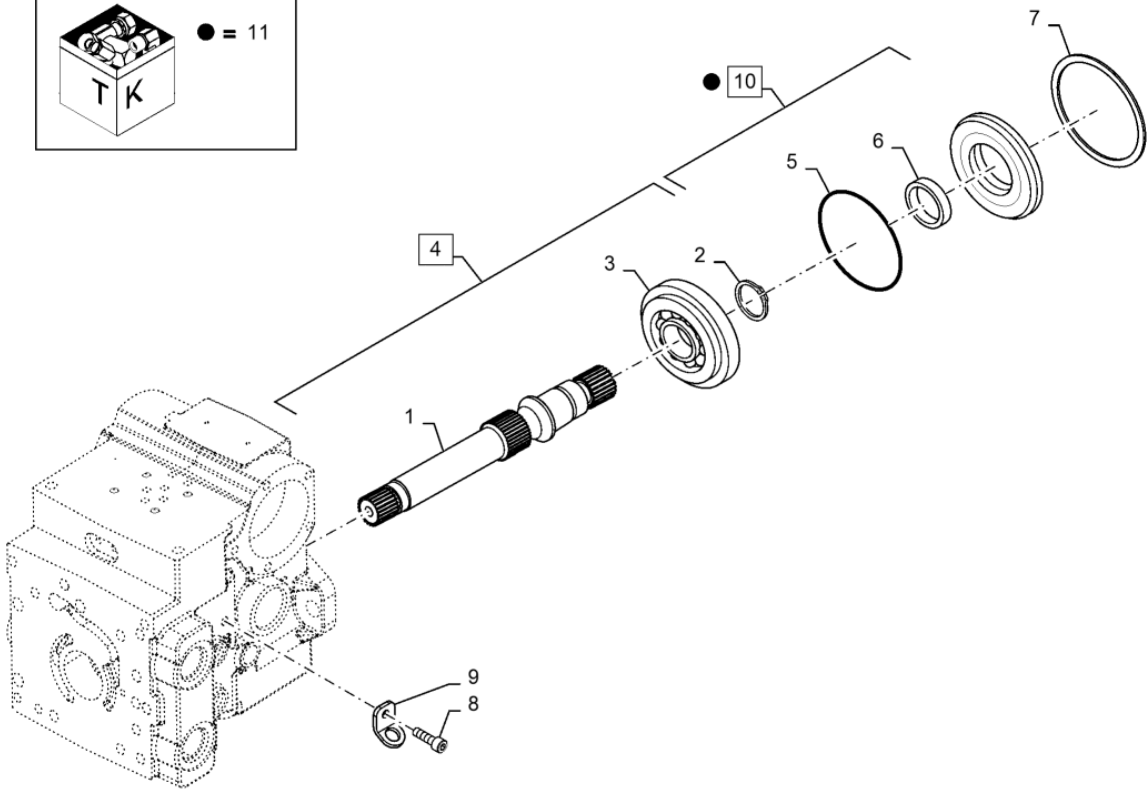
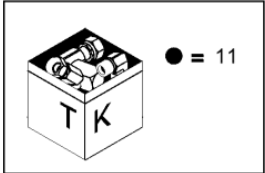
**KIT, CYLINDER, BLOCK, PUMP, TRAVEL**

REF	PN	QTY	DESCRIPTION	USAGE
1	233039A1	1	KIT	Cylinder Block, Incl 2 - 10
2	D38748	1	SNAP RING #162, 1.701, Int, Spiral	Int, Spiral
3	115950A1	1	WASHER	
4	176373A1	1	SPRING	Cylinder Block
5	117382A1	1	SPLIT PIN/SAFETY PIN	
6	176372A1	1	WASHER	
7	291274A1	3	PIN	Slipper Hold Down
8	291276A1	1	PLATE	Slipper
9	291275A2	1	GUIDE	Slipper Retainer
10	291277A1	9	PISTON	

35.995.AA [02]

p1

HYDRAULIC, PUMP, TRAVEL



**35.995.AA [02]**

p1

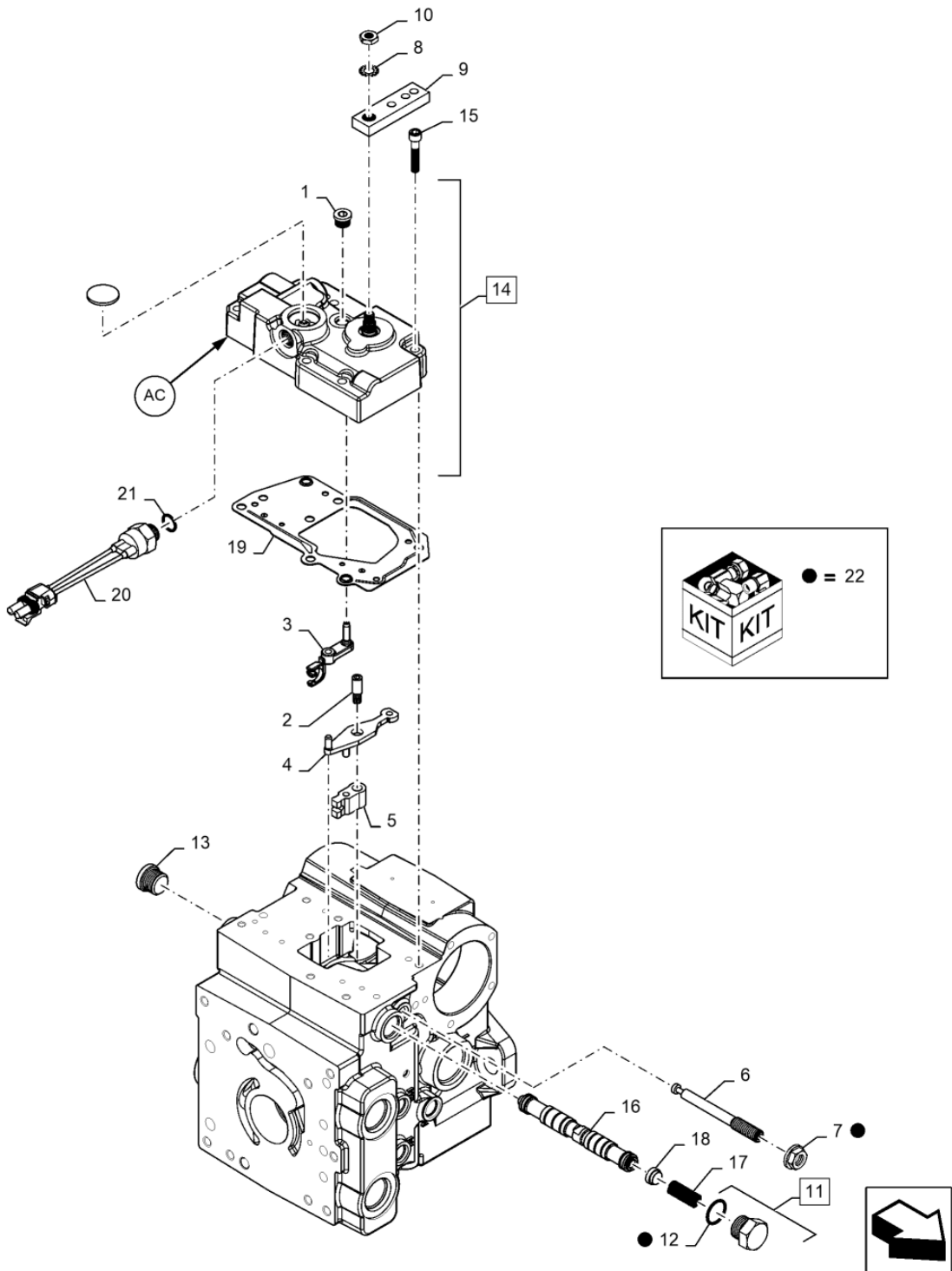
**HYDRAULIC, PUMP, TRAVEL**

REF	PN	QTY	DESCRIPTION	USAGE
1	47832369	1	SHAFT	Pump,15T,41/51CC
2	48017618	1	RING	Retaining
3	48017619	1	BEARING, ROLLER, CYL	
4	47832370	1	SHAFT	Assembly-15T, 42P Incl 1-3
5	259482A1	1	O-RING	
6	100699A1	1	SEAL	Lip
7	233015A1	1	SNAP RING	
8	48017661	2	SCREW	
9	87741965	1	BRACKET	Lifting
10	48017645	1	CARRIER	Shaft Seal Incl 5-6
11	48017649	1	KIT	Seal

35.995.AA [03]

p1

HYDRAULIC, PUMP, TRAVEL



**35.995.AA [03]**

p1

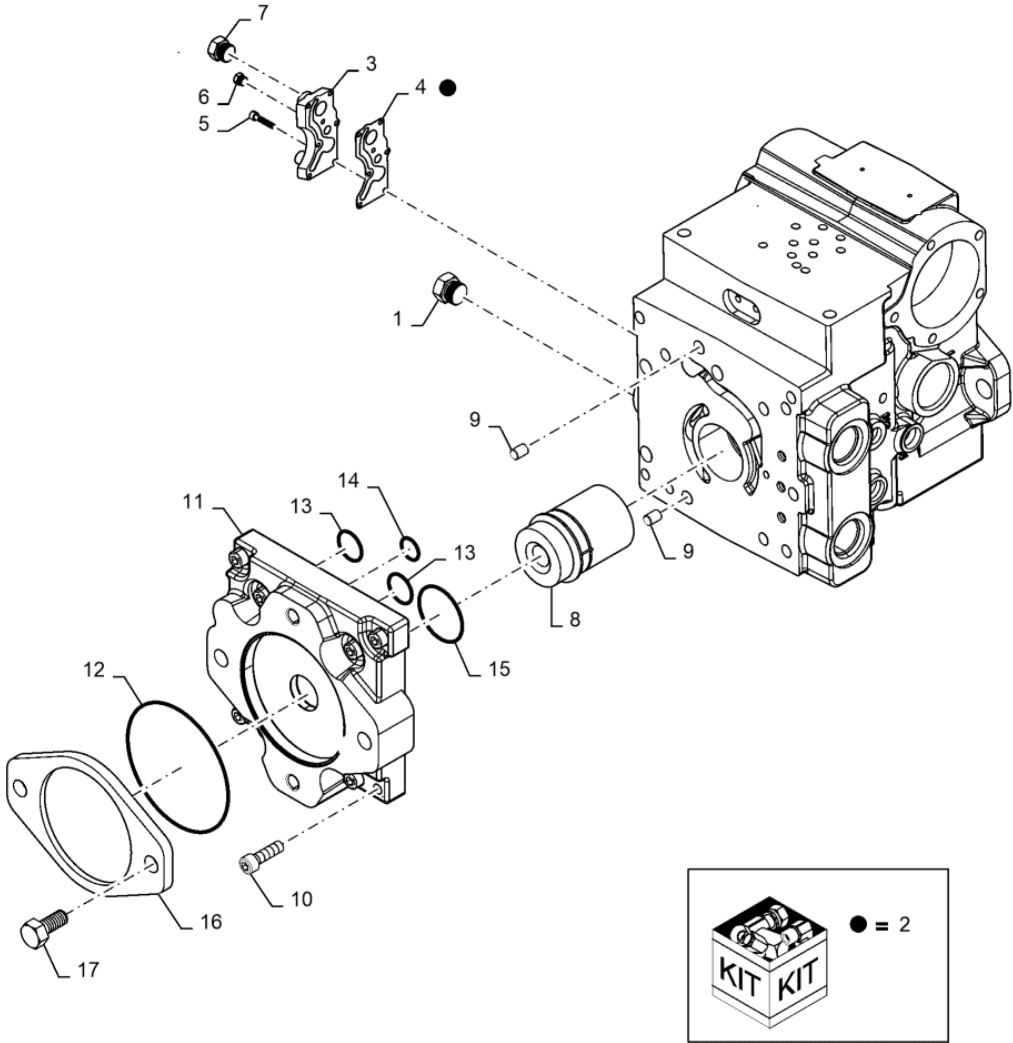
**HYDRAULIC, PUMP, TRAVEL**

REF	PN	QTY	DESCRIPTION	USAGE
1	87742264	1	PLUG	
2	233023A1	1	SCREW	
3	233024A1	1	JOINT	Summing S/S 4800196
4	233026A1	1	JOINT	Feedback S/S 4800214
5	233027A1	1	JOINT	Adjust S/S 4800201
6	324795A1	1	SET SCREW	
7	233029A1	1	NUT	
8	493-41033	1	LOCK WASHER 0.33" ID x 0.61" OD x 0.03" Thk	
9	84041838	1	HANDLE	Control Sharp Bend
10	105693A1	1	NUT	
11	291791A1	1	PLUG	Incl 12
12	237-6008	1	O-RING 0.087" Thk x 0.644" ID, -908, CI 6, 90 Duro	
12	48017656	1	O-RING	
13	48017180	1	PLUG	
14	90381167	1	CONTROL	Mdc Assy, Incl 1
15	233022A1	7	SCREW	
16	90381171	1	SPOOL	Assembly
17	48017658	1	SPRING	
18	48017659	1	SPRING	Adaptor
19	47830970	1	CONTROL	Gasket
20	90381243	1	TOGGLE SWITCH	Neutral Start Kit
21	90381244	1	RING	
22	48017649	1	KIT	Seal

35.995.AA [04]

p1

HYDRAULIC, PUMP, TRAVEL



**35.995.AA [04]**

p1

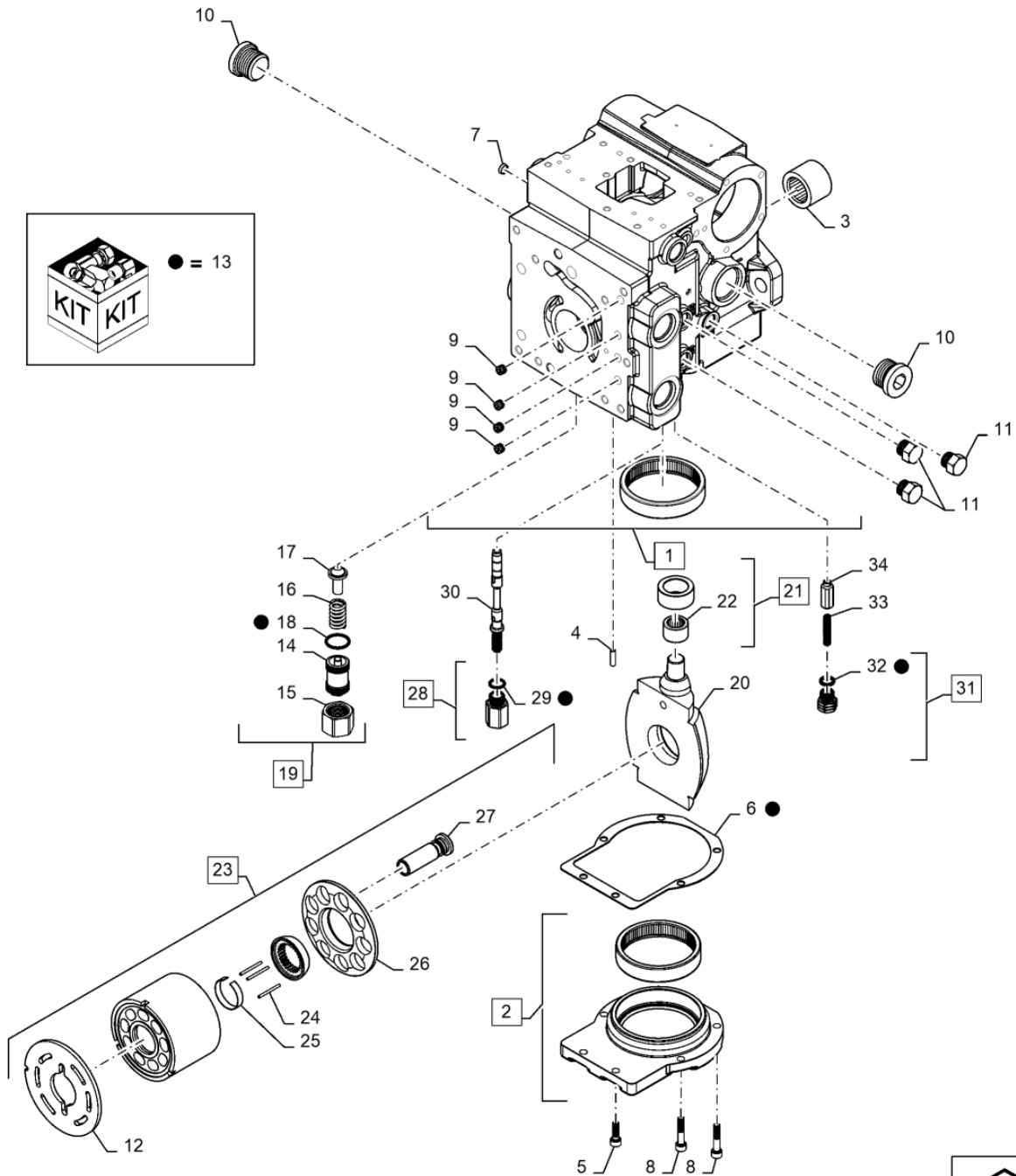
**HYDRAULIC, PUMP, TRAVEL**

REF	PN	QTY	DESCRIPTION	USAGE
1	48017634	2	PLUG	Assembly
2	48017649	1	KIT	Seal
3	47832964	1	ADAPTER	Remote Filter Rvaf
4	47832966	1	GASKET	Filter Adapter
5	233022A1	7	SCREW	
6	47695197	2	PLUG	
7	47694768	1	HEX PLUG	
8	47832371	1	COUPLING	
9	51623855	2	PIN	
10	47831039	8	SCREW	
11	47832375	1	PAD	Adaptor-B
12	48017654	1	O-RING	
13	N13987	1	O-RING	
14	47832382	1	O-RING	
15	434306A1	1	O-RING	
16	47832384	1	COVER	Sae B Flange
17	47832385	2	HEX SOC SCREW	

35.995.AA [05]

p1

HYDRAULIC, PUMP, TRAVEL



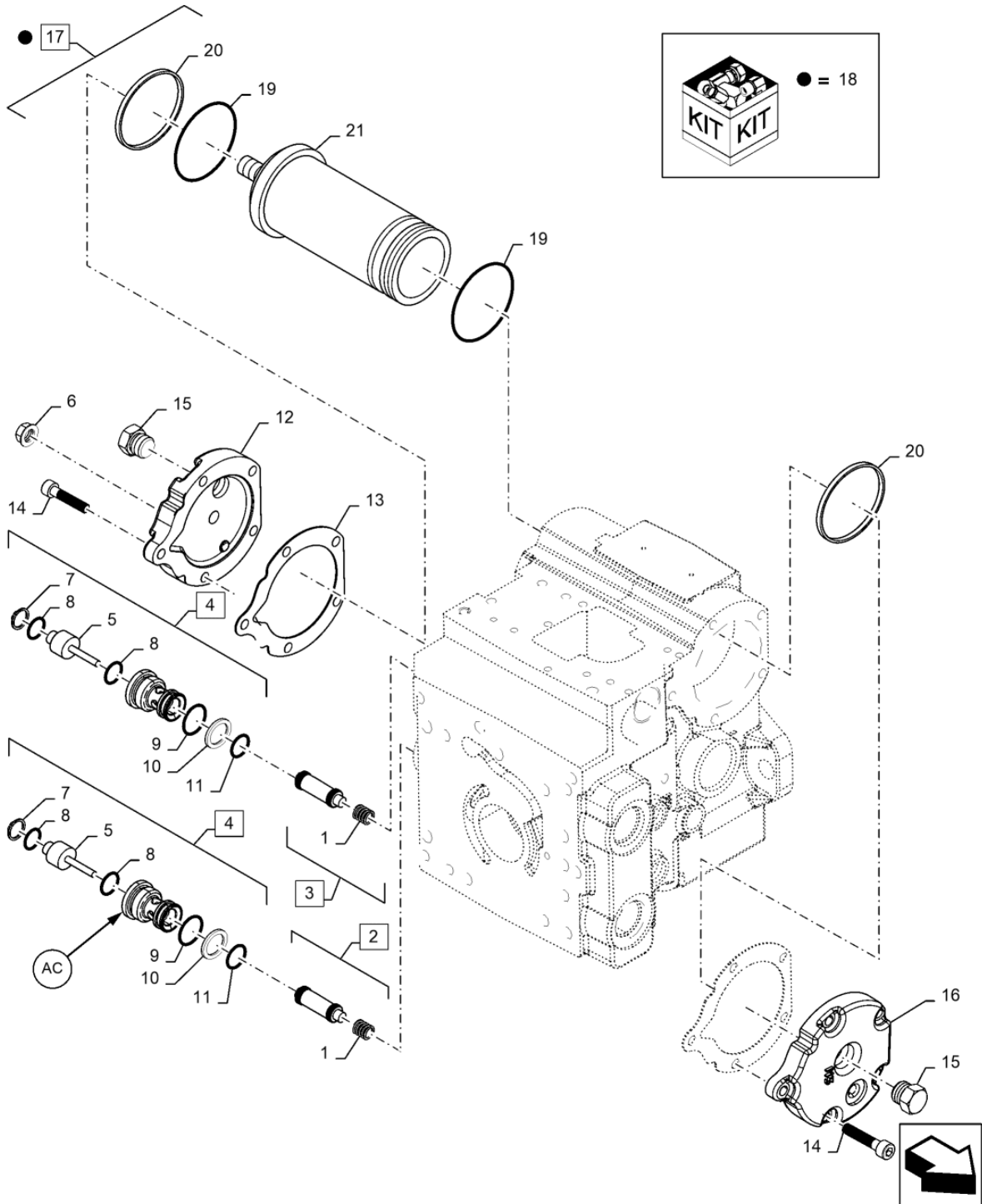
## HYDRAULIC, PUMP, TRAVEL

REF	PN	QTY	DESCRIPTION	USAGE
1	48017660	1	HOUSING	Assembly Incl 3,7,9
2	48017623	1	COVER	Side
3	48017626	1	NEEDLE	Bearing
4	48017627	1	PIN	
5	48017661	2	SCREW	
6	47832401	1	GASKET	Side Cover
7	48017630	1	SCREEN	
8	233022A1	7	SCREW	Socket Hd Torx
9	48017631	3	PLUG	
10	48017634	2	PLUG	Assembly
11	47695197	4	PLUG	
12	233008A1	1	PLATE	Valve
13	48017649	1	KIT	Seal
14	51470867	1	ADJUSTER	Charge Relief Valve
15	106553A1	1	SPECIAL NUT	
16	48017640	1	SPRING	
17	47831021	1	POPPET	
18	47694757	2	O-RING	
19	47832423	1	BAR	Incl 14,15,16,17,18
20	48017642	1	PLATE	Swash
21	291114A1	1	BEARING ASSY	Incl 22
22	48017644	1	NEEDLE	Bearing
23	233039A1	1	KIT	Cylinder Block Incl 12,24,25,26,27
24	291274A1	3	PIN	Slipper Hold Down
25	117382A1	1	SPLIT PIN/SAFETY PIN	Hold Down
26	90381241	1	GUIDE	Slipper Retainer
27	291277A1	9	PISTON	
28	47831012	1	PLUG	Assembly Incl 29
29	47570452	1	O-RING	
30	47833605	1	SPOOL	Assy (Flashing Valve)
31	47831016	1	PLUG	Assembly Incl 32
32	47716174	1	O-RING	
33	47831017	1	SPRING	
34	47831018	1	POPPET	

35.995.AA [06]

p1

HYDRAULIC, PUMP, TRAVEL



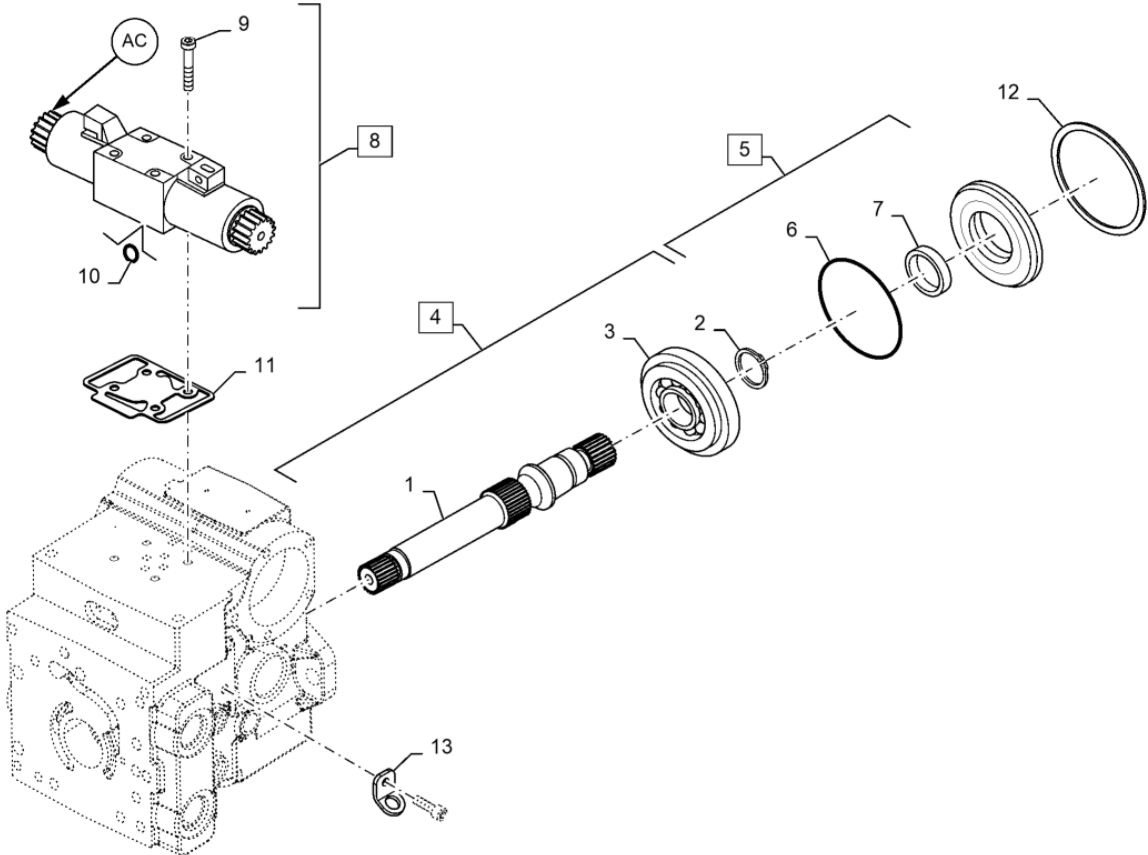
**35.995.AA [06]**

p1

**HYDRAULIC, PUMP, TRAVEL**

REF	PN	QTY	DESCRIPTION	USAGE
1	48017638	2	SPRING	
2	233044A1	1	VALVE	Incl 1
3	47833591	1	VALVE	Screw Assy, 345 Bar/5000 Psi, Incl 1
4	48017662	2	VALVE	Bypass, Incl 5, 7 - 11
5	48017663	2	SHAFT	Bypass
6	233029A1	1	NUT	
7	48017664	2	RING	Retainer
8	48017641	4	O-RING	
9	47694757	2	O-RING	
10	86993483	2	BACK-UP RING 0.643"	
11	47830973	2	RING	
12	47832455	1	COVER	Servo, Stroke Limiter
13	373328A1	2	GASKET	Servo Coversauer
14	233022A1	14	SCREW	
15	47695197	4	PLUG	
16	233047A1	1	COVER	Servo Side
17	259495A1	1	SET OF PARTS	Piston Servo, Incl 19 - 21
18	48017649	1	KIT	Seal
19	238-5139	2	O-RING 55.2mm ID x 2.62mm Thk, NBR	
19	47831020	2	RING	
20	291278A1	4	PISTON RING	Piston
21	233042A1	1	KIT	Servo Piston Ring

HYDRAULIC, PUMP, VIBRATION



**35.995.AA [07]**

p1

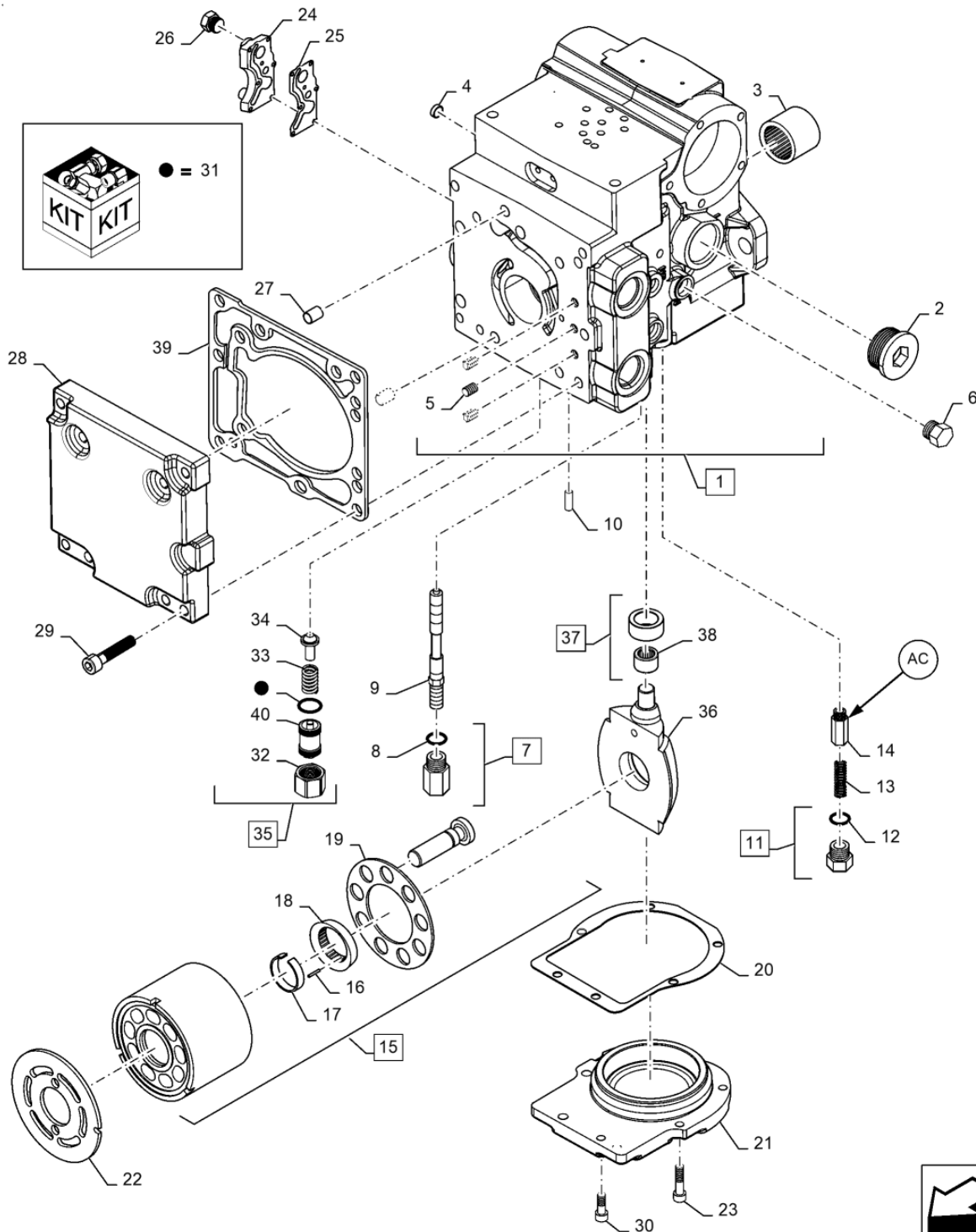
**HYDRAULIC, PUMP, VIBRATION**

REF	PN	QTY	DESCRIPTION	USAGE
1	47832369	1	SHAFT	Pump, 15T
2	48017618	1	RING	Retaining
3	48017619	1	BEARING, ROLLER, CYL	Cylindrical
4	47832370	1	SHAFT	Assy, Incl 1 - 3
5	48017645	1	CARRIER	Shaft Seal, Incl 6 - 7
6	259482A1	1	O-RING	
7	100699A1	1	SEAL	Lip, Incl In 5
8	51470713	1	VALVE	Solenoid, Incl 9 - 10
9	51470723	4	SCREW	
10	48017657	1	KIT	Valve Seal
11	51408536	1	GASKET	
12	233015A1	2	SNAP RING	Internal Reaining
13	87741965	1	BRACKET	Lifting

35.995.AA [08]

p1

HYDRAULIC, PUMP, VIBRATION



**35.995.AA [08]**

p1

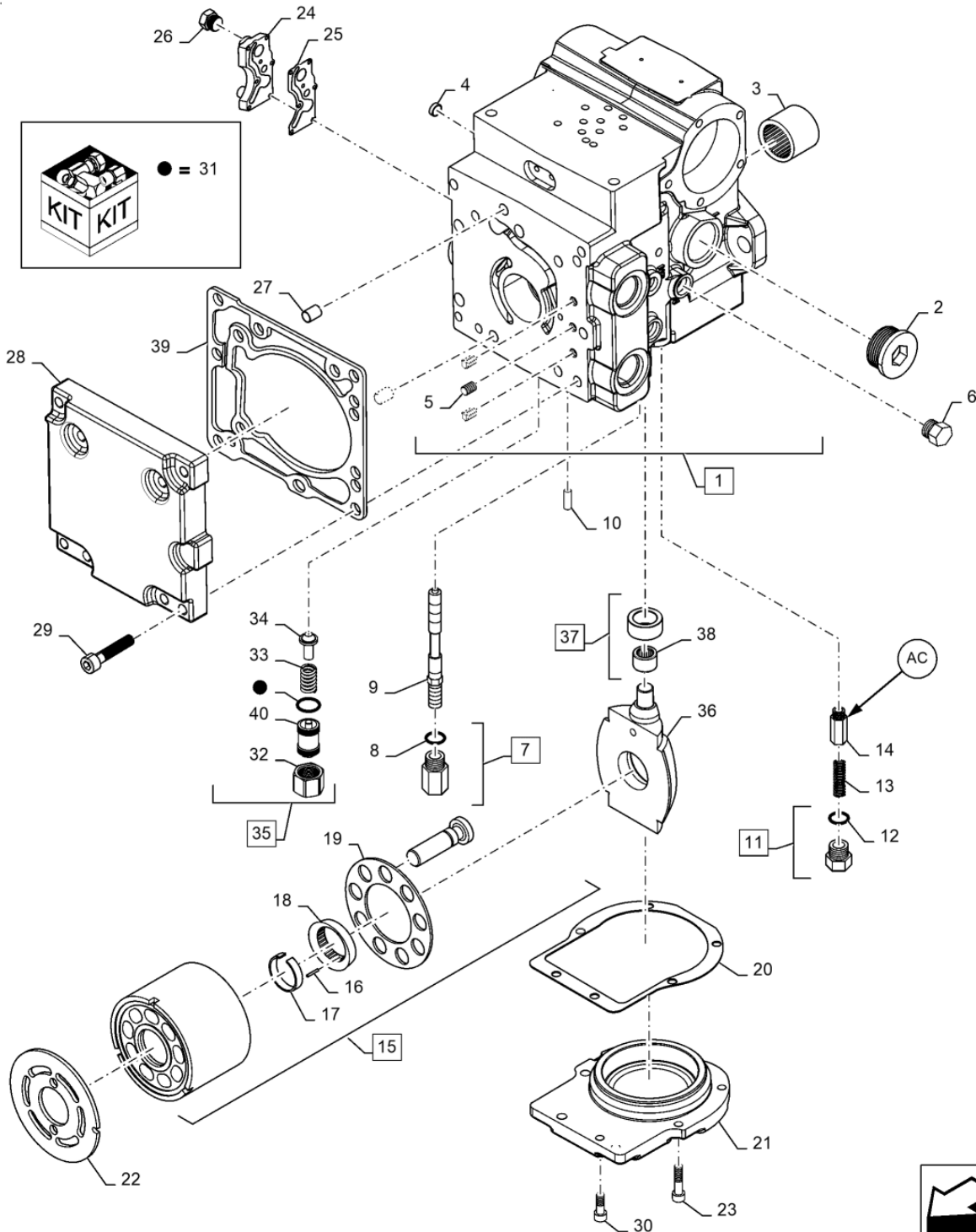
**HYDRAULIC, PUMP, VIBRATION**

REF	PN	QTY	DESCRIPTION	USAGE
1	48017622	1	HOUSING	Assy Incl 3 - 5
2	48017634	3	PLUG	Assy
3	48017626	1	NEEDLE	Bearing
4	48017630	1	SCREEN	
5	48017631	1	PLUG	Plug
6	47695197	2	PLUG	
7	47831012	1	PLUG	Assy Incl 8
8	47570452	1	O-RING	
9	47833605	1	SPOOL	Assy Flashing Valve
10	48017627	1	PIN	
11	47831016	1	PLUG	Assy Incl 12
12	47716174	1	O-RING	
13	47831017	1	SPRING	Spring
14	47833606	1	VALVE POPPET	Valve
15	47833607	1	CYLINDER BLOCK	Kit, Incl 16 - 19
16	48017647	3	SLIPPER	Hold Down Pin
17	117382A1	1	SPLIT PIN/SAFETY PIN	Hold Down
18	48017650	1	SLIPPER	Retainer Guide
19	48017651	1	SLIPPER	Retainer
20	48017629	1	GASKET	Side Cover
21	48017623	1	COVER	Side
22	233008A1	1	PLATE	Valve
23	233022A1	13	SCREW	
24	47832964	1	ADAPTER	Remote Filter Rvaf
25	47832966	1	GASKET	Filter Adapter
26	47694768	1	HEX PLUG	
27	47715503	2	PIN	Straight
28	47833593	1	COVER	Charge Pump, No Pad
29	47831039	8	SCREW	
30	48017661	3	SCREW	
31	48017649	1	KIT	Seal
32	106553A1	1	SPECIAL NUT	Special
33	48017640	1	SPRING	Spring
34	47831021	1	POPPET	Poppet
35	47832423	1	BAR	Incl 32 - 34, 40
36	48017642	1	PLATE	Swash

35.995.AA [08]

p2

HYDRAULIC, PUMP, VIBRATION



**35.995.AA [08]**

p2

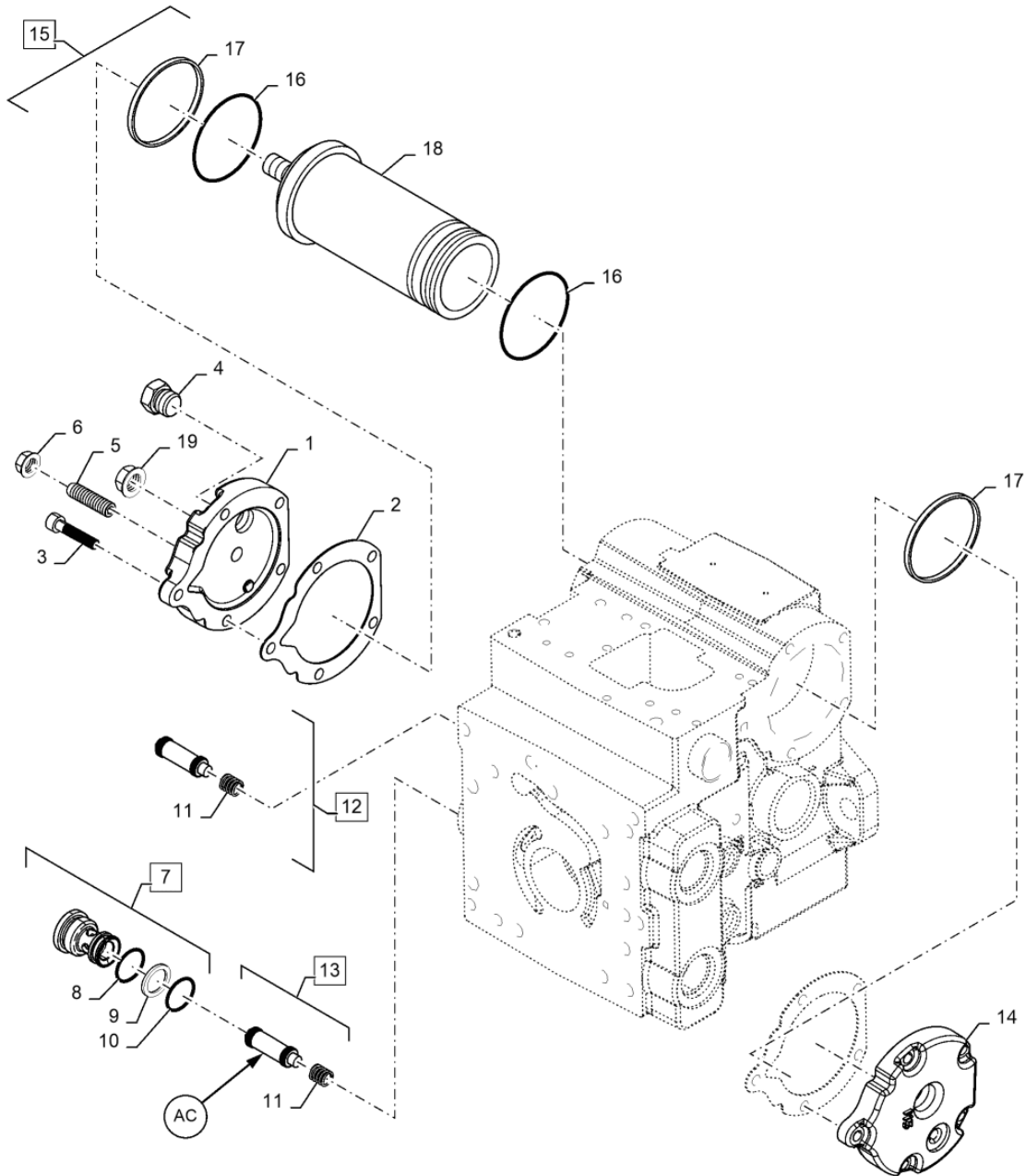
**HYDRAULIC, PUMP, VIBRATION**

<b>REF</b>	<b>PN</b>	<b>QTY</b>	<b>DESCRIPTION</b>	<b>USAGE</b>
37	291114A1	1	BEARING ASSY	Cam Followers
38	48017644	1	NEEDLE	Bearing
39	47833592	1	GASKET	Cover Charge Pump
40	51470867	1	ADJUSTER	Charge Relief Valve

35.995.AA [09]

p1

HYDRAULIC, PUMP, VIBRATION



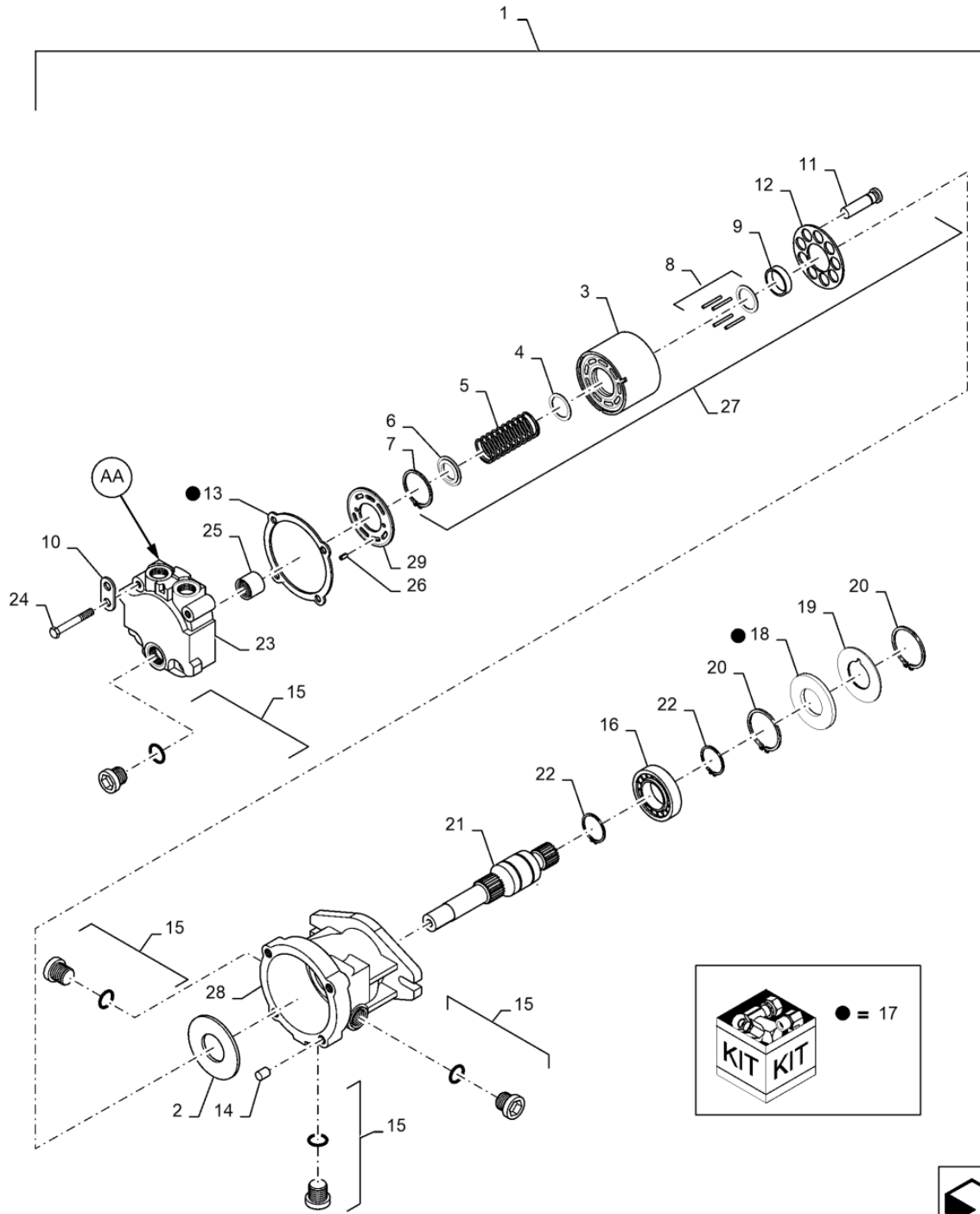
## HYDRAULIC, PUMP, VIBRATION

REF	PN	QTY	DESCRIPTION	USAGE
1	47832455	1	COVER	Servo With Stroke Limiter
2	373328A1	10	GASKET	Servo
3	233022A1	2	SCREW	
4	47695197	2	PLUG	
5	47832482	2	SET SCREW	
6	47831022	1	SEAL	
7	259496A1	3	PLUG	Incl 8 - 10
8	238-6016	2	O-RING 0.07" Thk x 0.614" ID, -16, CI 6, 90 Duro	
8	47694757	2	O-RING	
9	86993483	2	BACK-UP RING 0.643"	
9	V39097	2	RING	
10	237-6010	2	O-RING 0.097" Thk x 0.755" ID, -910, CI 6, 90 Duro	
10	47830973	2	RING	O-Ring
11	48017638	2	SPRING	
12	51470734	1	VALVE	Incl 11
13	51470735	1	VALVE	Incl 11
14	47832961	1	COVER	Servo, Side 2
15	233042A1	1	KIT	Servo, Incl 16 - 18
15	259495A1	1	SET OF PARTS	Piston Servo, Incl 16 - 18
16	238-5139	2	O-RING 55.2mm ID x 2.62mm Thk, NBR	
16	47831020	2	RING	
17	291278A1	2	PISTON RING	Piston
18	48017652	1	PISTON	Assembly
19	233029A1	1	NUT	Nut

35.995.AA [10]

p1

MOTOR, HYD, VIBRATION



**35.995.AA [10]**

p1

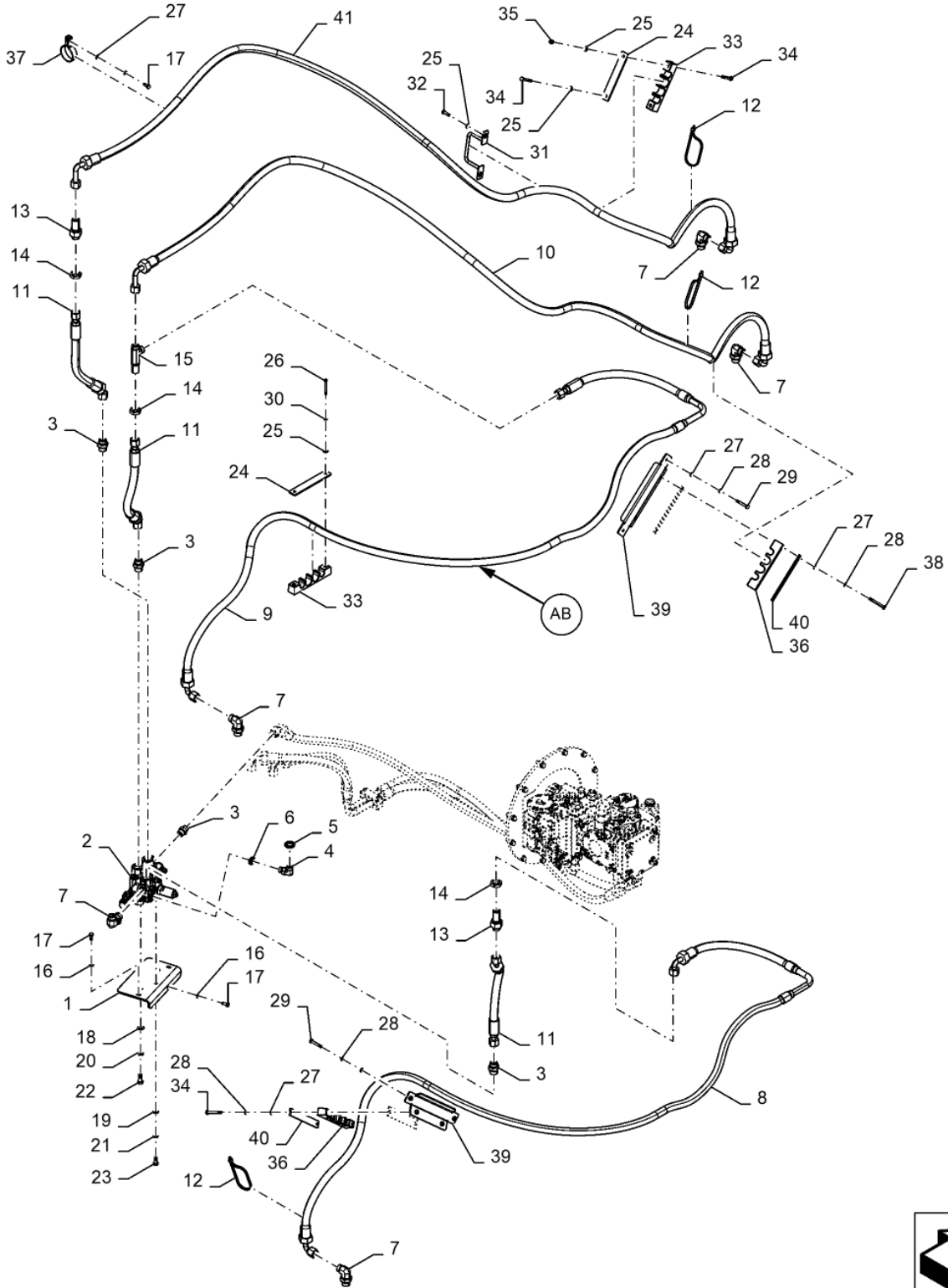
**MOTOR, HYD, VIBRATION**

REF	PN	QTY	DESCRIPTION	USAGE
1	V204010/60139	1	HYDRAULIC MOTOR	Vibration 752 Sauer Danfoss, Incl 2 - 29
2	100700A1	1	PLATE	Thrust
3	117379A1	1	SUPPORT	Cylinder Block, /A, Sauer/Sund 4350100
4	176372A1	1	WASHER	
5	176373A1	1	SPRING	Cylinder Block, S/S 4350172
6	115950A1	1	WASHER	Special
7	D38748	1	SNAP RING #162, 1.701, Int, Spiral	
8	51441326	2	SERVICE KIT	Service
9	117382A1	2	SPLIT PIN/SAFETY PIN	Retainer, Hold Down Sauer/Sund 4350
10	92095637	1	BRACKET	Lifting
11	92122049	9	PISTON	Assy
12	176376A1	2	COLLAR	Retainer, Slipper S/S 4350185
13	86556366	1	GASKET	End
14	N13994	2	SPACER	Pin, Special
15	47716163	4	PLUG	Assembly
16	87051506	1	BEARING, ROLLER, CYL	Sauer 357616
17	91844723	1	KIT	Seal
18	47716164	1	SEAL	Seal, Lip
19	47716166	1	WASHER 47716166	Support
20	47570492	2	RING	
21	87431908	1	SHAFT	Sauer/Sundstrand 4350428
22	100-11137	2	SNAP RING #137, Ext	Circlip, Replaced By 9671424
23	234853A1	1	PLUG	Cap, Cylinder End, Cap, End S/S # 435041
24	47716169	4	SCREW 47716169	Screw
25	132391A1	1	BEARING, NEEDLE	S/S 9001465-0015
26	38-11210	1	LOCK PIN 3/16" x 5/8", Slotted	Slotted, Replaced By 88180
27	100706A1	1	CYLINDER BLOCK	Block, Cyl (Std), Incl 3 - 8, 10 - 12
28	47835667	1	HOUSING	Fixed
29	47696483	1	PLATE	Motor Valve

35.995.AB [01]

p1

VIBRATION CKT



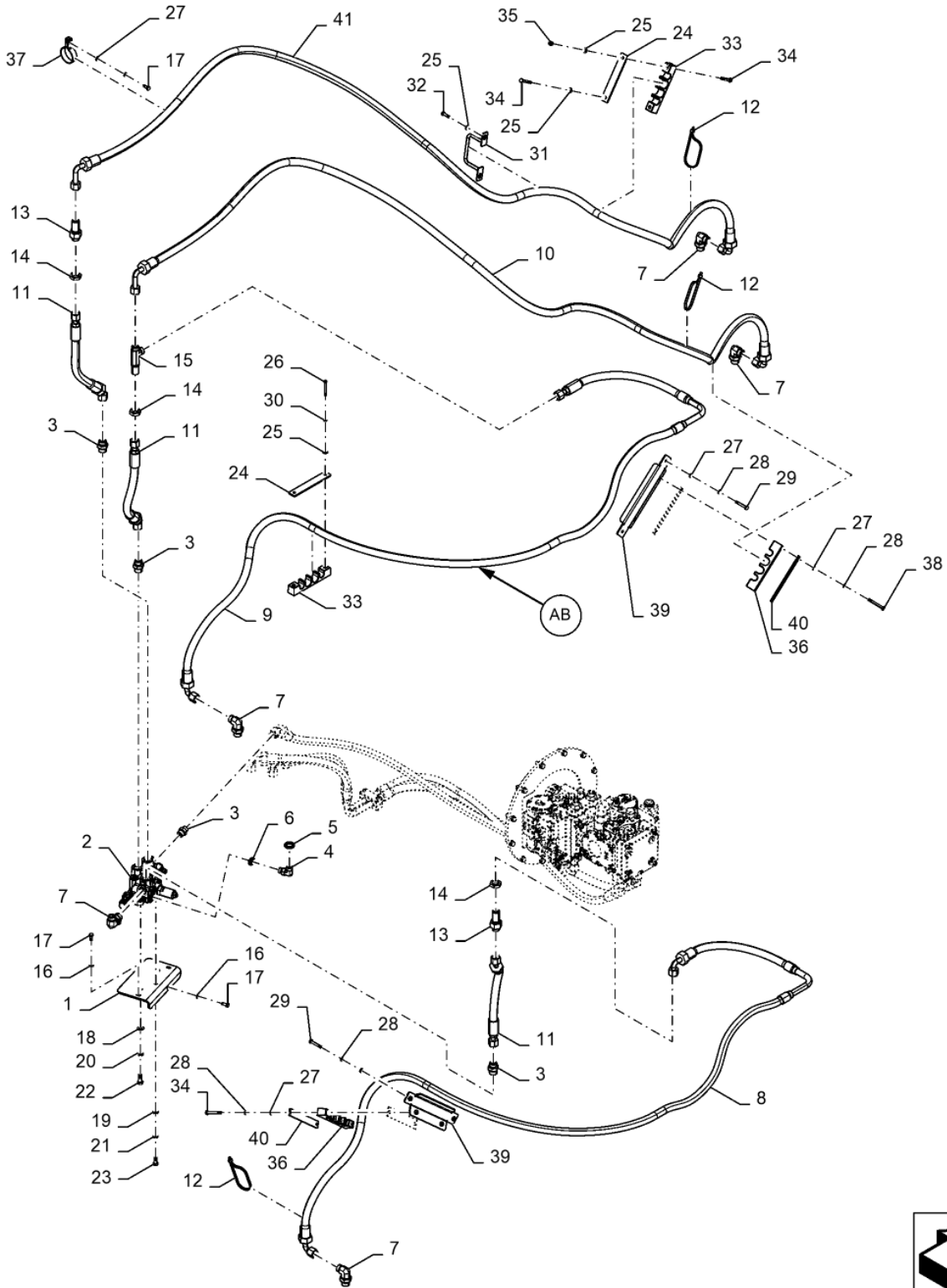
**35.995.AB [01]**

p1

**VIBRATION CKT**

REF	PN	QTY	DESCRIPTION	USAGE
1	92034094	1	PLATE	Cegra, Vibration Block Mounting
2	90503135	1	BLOCK	Vibration
3	83962539	4	HYD CONNECTOR 1" - 14 ORFS x 1-1/16 - 12 ORB	
4	9992307	1	90 ELBOW 13/16"-16 x 3/4"-16 Adj, ORFS	Adj -8 Orfs X 3/4-16 Orb
5	128825	1	O-RING 0.087in Thk x 0.644in ID, -908, CI 6, 90 Duro	
6	9992298	1	O-RING 12.4mm ID x 1.78mm Thk, HNBR	
7	9991973	5	90 ELBOW 1-14" ORFS x 1-1/16"-12 ORB	
8	92221542	1	HOSE	Assy
9	92221539	1	HOSE	Assy
10	92221538	1	HYDRAULIC HOSE	
11	92034064	3	HYDRAULIC HOSE	Vib Block Ports
12	L18331	4	CABLE TIE 375.9mm L, Nylon, Black	
13	92060965	2	UNION	Orfs Bulk Hd 1-14 Unf
14	86639085	3	BHD LOCK NUT 1"-14, Bulkhead	
15	92182203	1	UNION TEE	Bulk-Hd Orfs 1-14Un
16	11193879	3	WASHER M8 Bolt Size x 16mm OD x 1.4mm Thk	Belleville, 8.4X16, Znm
17	120104	4	BOLT Hex, M8 x 1.25 x 20mm, CI 8.8, Full Thd	
18	P00034613X	2	WASHER	
19	P00034611V	1	WASHER	
20	892-11012	2	LOCK WASHER M12	
21	892-11010	1	LOCK WASHER M10	
22	43260	2	BOLT Hex, M12 x 1.75 x 30mm, CI 10.9, Full Thd	
23	43139	1	BOLT M10 x 1.5, 25mm L CI8.8 Full Thread	
24	92155025	2	PLATE	Support
25	322358	6	BELLEVILLE WASHER M8 Bolt Size x 18mm OD x 1.4mm Thk	
26	338413	2	BOLT Hex, M6 x 1 x 60mm, CI 8.8	
27	895-11008	9	WASHER 9mm ID x 16mm OD x 1.6mm Thk	

VIBRATION CKT



**35.995.AB [01]**

p2

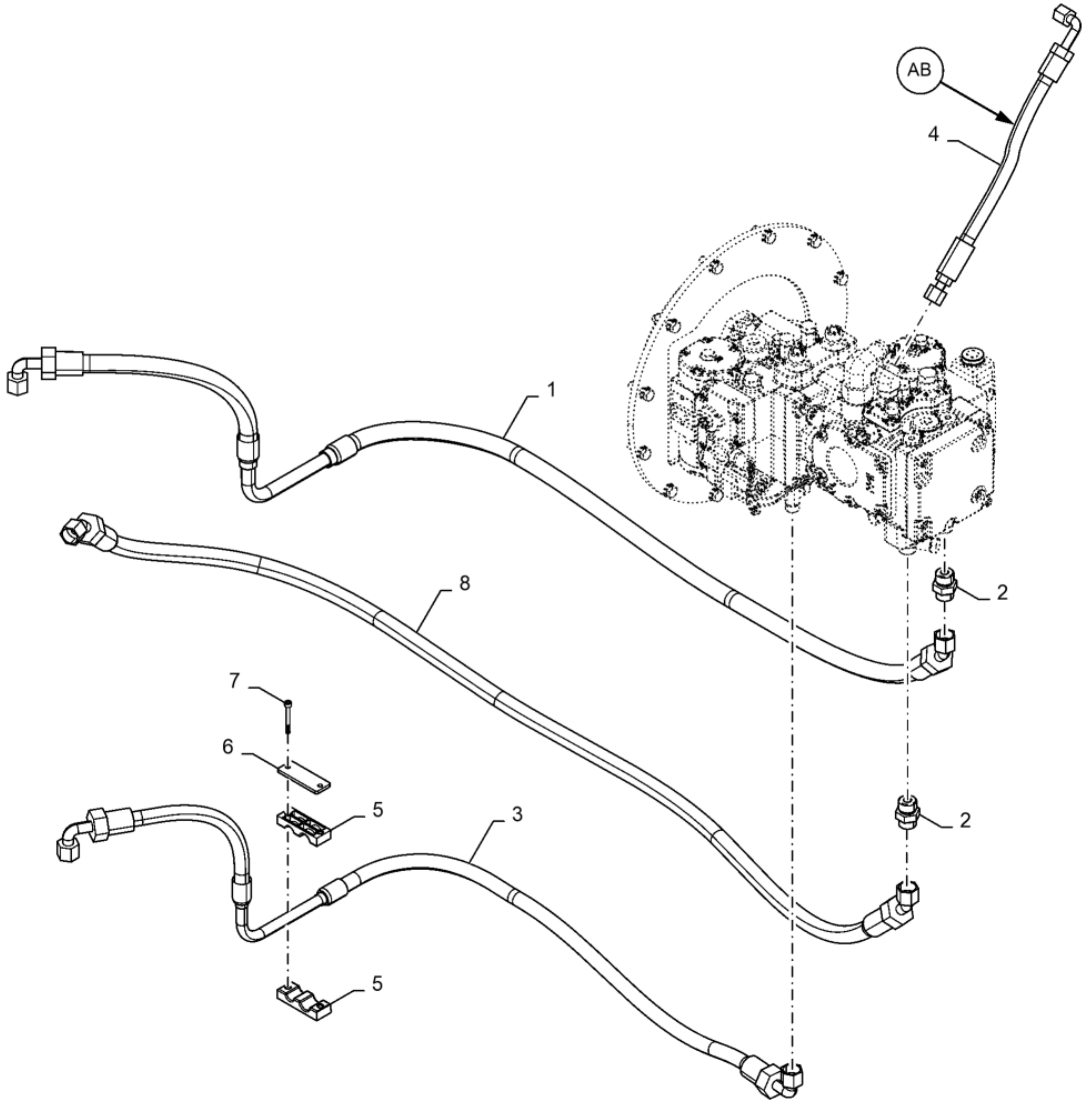
**VIBRATION CKT**

REF	PN	QTY	DESCRIPTION	USAGE
28	892-11008	9	LOCK WASHER 8mm ID	
29	43130	4	BOLT Hex, M8 x 1.25 x 50mm, CI 8.8	
30	892-11006	2	LOCK WASHER M6	
31	47663671	1	HOSE CLAMP	
32	43128	2	BOLT Hex, M8 x 1.25 x 30mm, CI 8.8, Full Thd	
33	92162722	2	CLAMP	Hose
34	16044321	2	BOLT Hex, M8 x 1.25 x 55mm, CI 8.8	
35	832-10408	1	LOCK NUT M8 x 1.25, CI 8.8	Prev Torque, Replaced By 412250
36	92176968	2	CLAMP	Hose
37	51692640	1	CLAMP	Radiator, O Shape
38	120061	4	BOLT Hex, M8 x 1.25 x 60mm, CI 8.8	
39	92167408	2	BRACKET	Cegra, Hose Clamp
40	92170149	2	PLATE	Support
41	92668431	1	HYDRAULIC HOSE	Vib Port A Front

35.995.AB [02]

p1

VIBRATION CKT



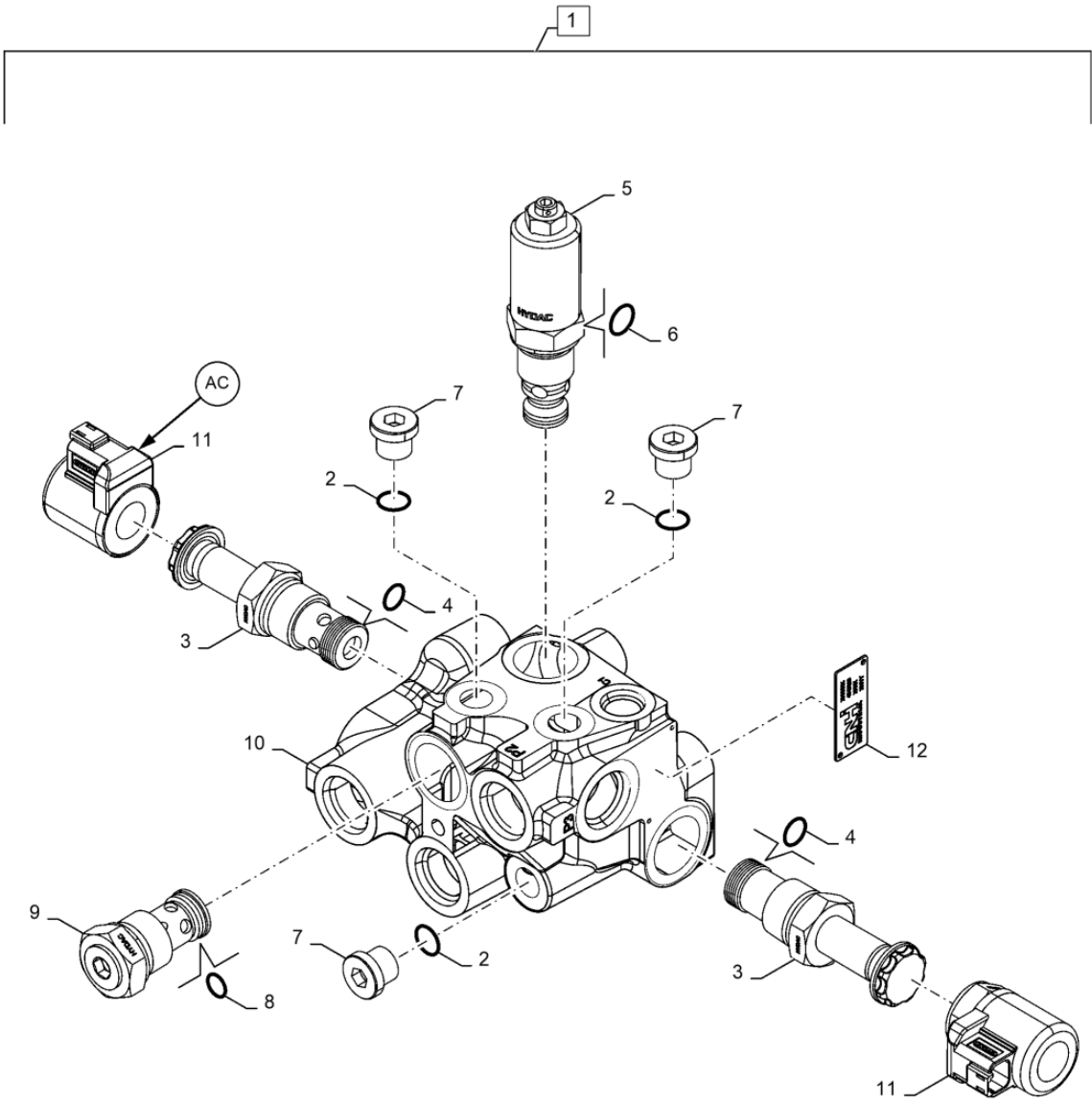
**35.995.AB [02]**

p1

**VIBRATION CKT**

REF	PN	QTY	DESCRIPTION	USAGE
1	92196028	1	HYD TUBE	Vib Block
2	83962539	2	HYD CONNECTOR 1" - 14 ORFS x 1-1/16 - 12 ORB	
3	92196038	1	HYD TUBE	Vib Block Port C1
4	92059918	1	HOSE	Assy
5	92073858	2	CLAMP	Tube Nylon
6	92159373	1	PLATE	Support
7	47940518	2	HEX SOC SCREW Hex Socket, M6 x 1.0 x 50mm L, CL 12.9	
8	92668442	1	HOSE	Vib Block Port P4

BLOCK, VIBRATION



**35.995.AB [03]**

p1

**BLOCK, VIBRATION**

REF	PN	QTY	DESCRIPTION	USAGE
1	90503135	1	BLOCK	Vibration, Incl 2-12
2	51626323	3	SEAL	Elastomer
3	51626312	2	VALVE	2/2 Direction Control
4	51626313	2	SEAL KIT	
5	51626314	1	VALVE	Pressure Relief
6	51626315	1	SEAL KIT	
7	51626322	3	PLUG	
8	51626316	1	SEAL KIT	
9	92193409	1	VALVE	Check
10	92193394	1	BLOCK	Machined Casting For 4546023
11	51600335	2	VALVE	Dc Coil-12Dn
12	92193410	1	PLATE	Name

---

## SECTION INDEX

### FRAMES AND BALLASTING

---

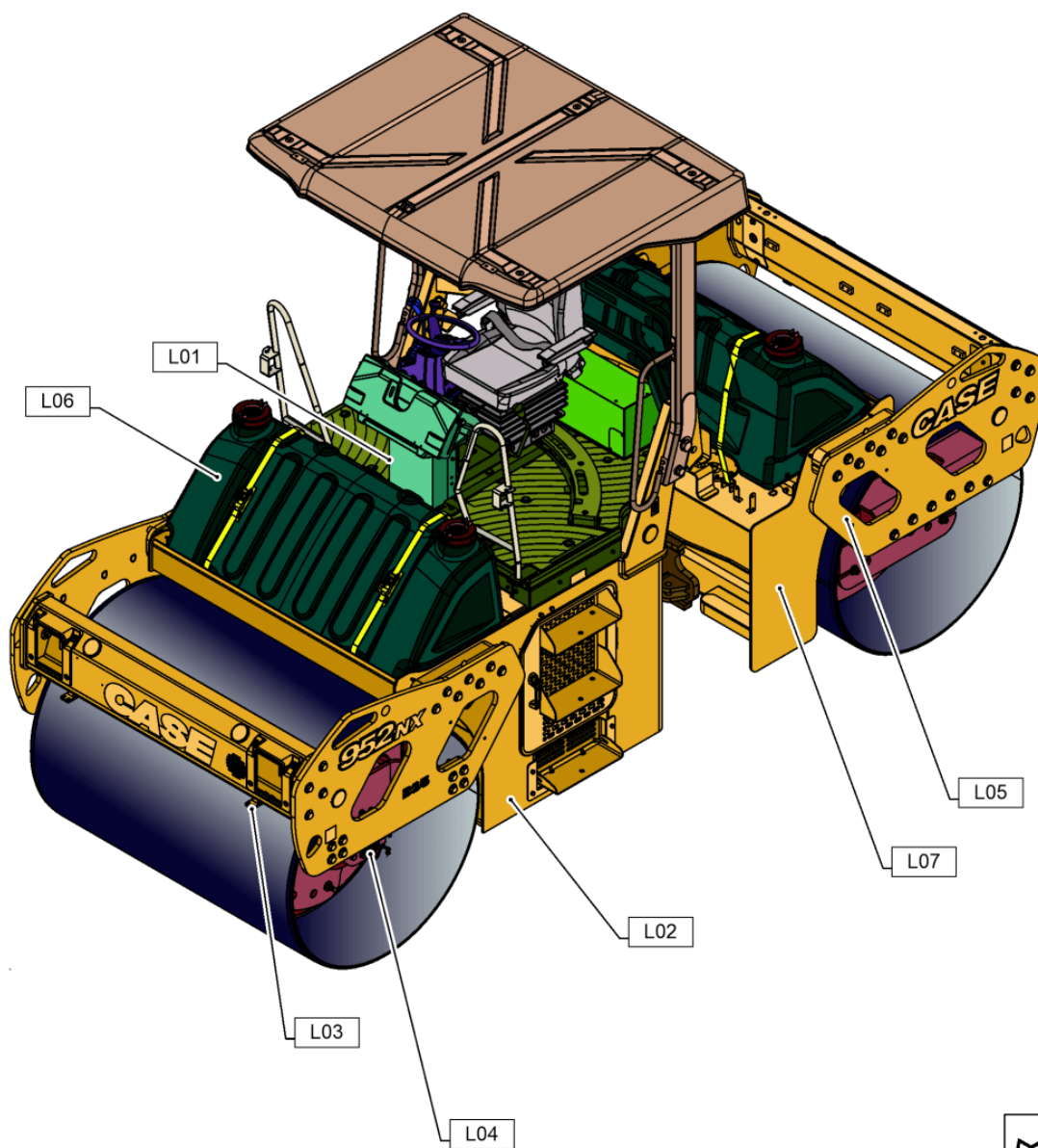
39.000.00 [01]	SECTION INDEX - FRAMES AND BALLASTING
39.100.AN [01]	ARTICULATION, JOINT, ARTICULATION JOINT
39.100.AS [01]	ENGINE, FRAME
39.100.AS [02]	ENGINE, FRAME
39.100.AS [03]	ENGINE, FRAME
39.100.AS [04]	ENGINE, FRAME
39.500.AM [01]	SCRAPER, ASSEMBLY
39.500.AN [01]	BEARING ASSY, FRONT, REAR
39.500.AN [02]	ROLLER, DRUM, ASSY
39.500.AN [03]	ROLLER, DRUM, ASSY
39.500.AN [04]	ROLLER, FRAME, ASSY
39.500.AQ [01]	TANK, ASSY, WATER
39.500.AQ [02]	TANK, ASSY, WATER
39.500.AQ [03]	WATER SPRINKLER
39.500.AQ [04]	WATER SPRINKLER
39.500.AQ [05]	WATER SPRINKLING SYSTEM
39.500.AQ [06]	VAR - B547039, VALVE, SOLENOID, (3/8IN BSP)
39.500.AQ [07]	FILTER, WATER TRANSPARENT



39.000.00 [01]

p1

SECTION INDEX - FRAMES AND BALLASTING



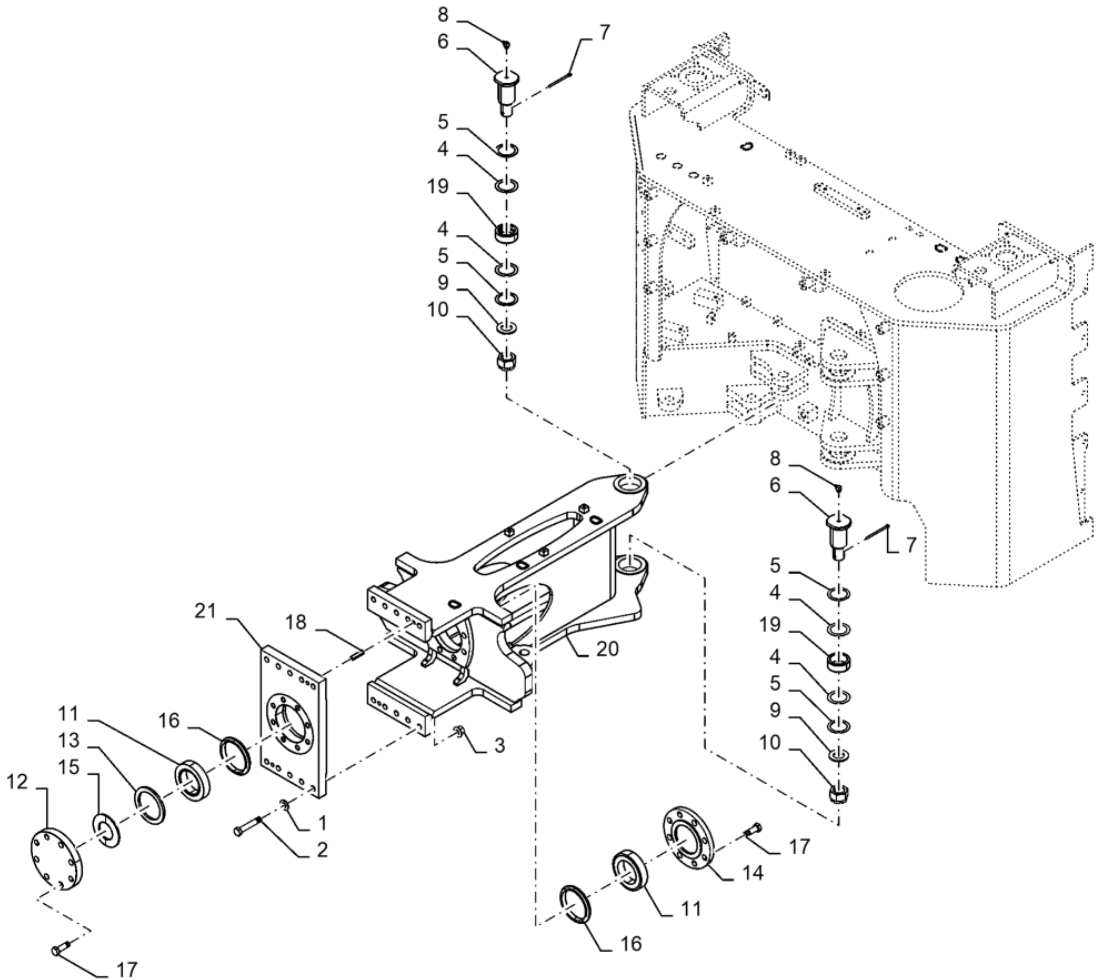
**39.000.00 [01]**

p1

**SECTION INDEX - FRAMES AND BALLASTING**

<b>REF</b>	<b>FIGURE NUMBER</b>	<b>FIGURE NAME</b>
L01	39.100.AN[01]	ARTICULATION, JOINT, ARTICULATION JOINT
L02	39.100.AS[01]	ENGINE, FRAME
L02	39.100.AS[02]	ENGINE, FRAME
L02	39.100.AS[03]	ENGINE, FRAME
L02	39.100.AS[04]	ENGINE, FRAME
L03	39.500.AM[01]	SCRAPER, ASSEMBLY
L04	39.500.AN[01]	BEARING ASSY, FRONT, REAR
L04	39.500.AN[02]	ROLLER, DRUM, ASSY
L04	39.500.AN[03]	ROLLER, DRUM, ASSY
L05	39.500.AN[04]	ROLLER, FRAME, ASSY
L06	39.500.AQ[01]	TANK, ASSY, WATER
L06	39.500.AQ[02]	TANK, ASSY, WATER
L07	39.500.AQ[03]	WATER SPRINKLER
L07	39.500.AQ[04]	WATER SPRINKLER
L07	39.500.AQ[05]	WATER SPRINKLING SYSTEM
L07	39.500.AQ[06]	VAR - B547039, VALVE, SOLENOID, (3/8IN BSP)
L07	39.500.AQ[07]	FILTER, WATER TRANSPARENT

ARTICULATION, JOINT, ARTICULATION JOINT



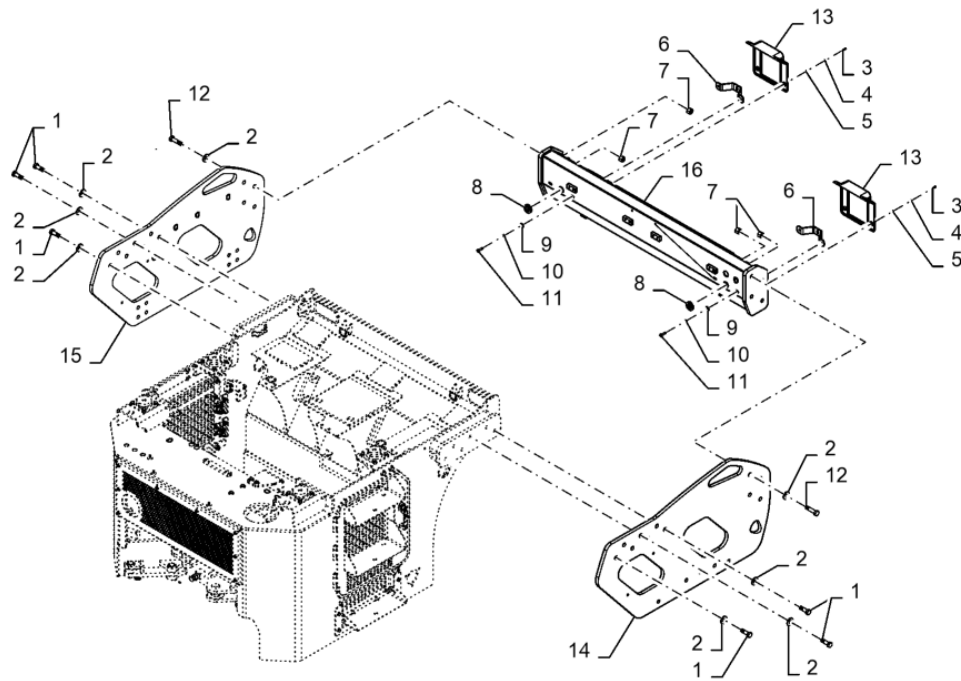
**39.100.AN [01]**

p1

**ARTICULATION, JOINT, ARTICULATION JOINT**

REF	PN	QTY	DESCRIPTION	USAGE
1	11191579	10	BELLEVILLE WASHER M16 Bolt Size x 34mm OD x 3.6mm Thk	
2	86521733	10	BOLT Hex, M16 x 2 x 90mm, CI 10.9	
3	87016581	10	FLANGE NUT M16 x 2, CI 10	Prev Torque, All Mtl Flg M16 10 Znd
4	E63811	4	SPACER	
5	47814563	4	WASHER	
6	V204010/50058	2	PIN	
7	300424	2	PIN	Cotter, 6.3 X 80 Mm Stl Znd
8	BU4580003	2	LUBE NIPPLE	Grease Fitting 90 Elbow
9	P0034622H	2	WASHER	
10	P0034316A	2	NUT	Slotted, M33 8
11	V004029/20003	2	BEARING ASSY	
12	V004029/20009	1	BEARING CAP	
13	92060140	1	RING	
14	V204029/50251	1	COVER	
15	V002806/00112	1	SPRING	
16	V004029/20002	2	SEALING RING	
17	412398	16	BOLT Hex, M16 x 2 x 50mm, CI 10.9, Full Thd	
18	P00035777N	2	DOWEL	Pin, Slotted, Spring 12X50 Hvy Phc
19	V204010/50057	2	BUSHING	
20	91901700	1	ARTICULATION	Joint, Machined, Cegra
21	91904230	1	PLATE	Bearing Machined

ENGINE, FRAME



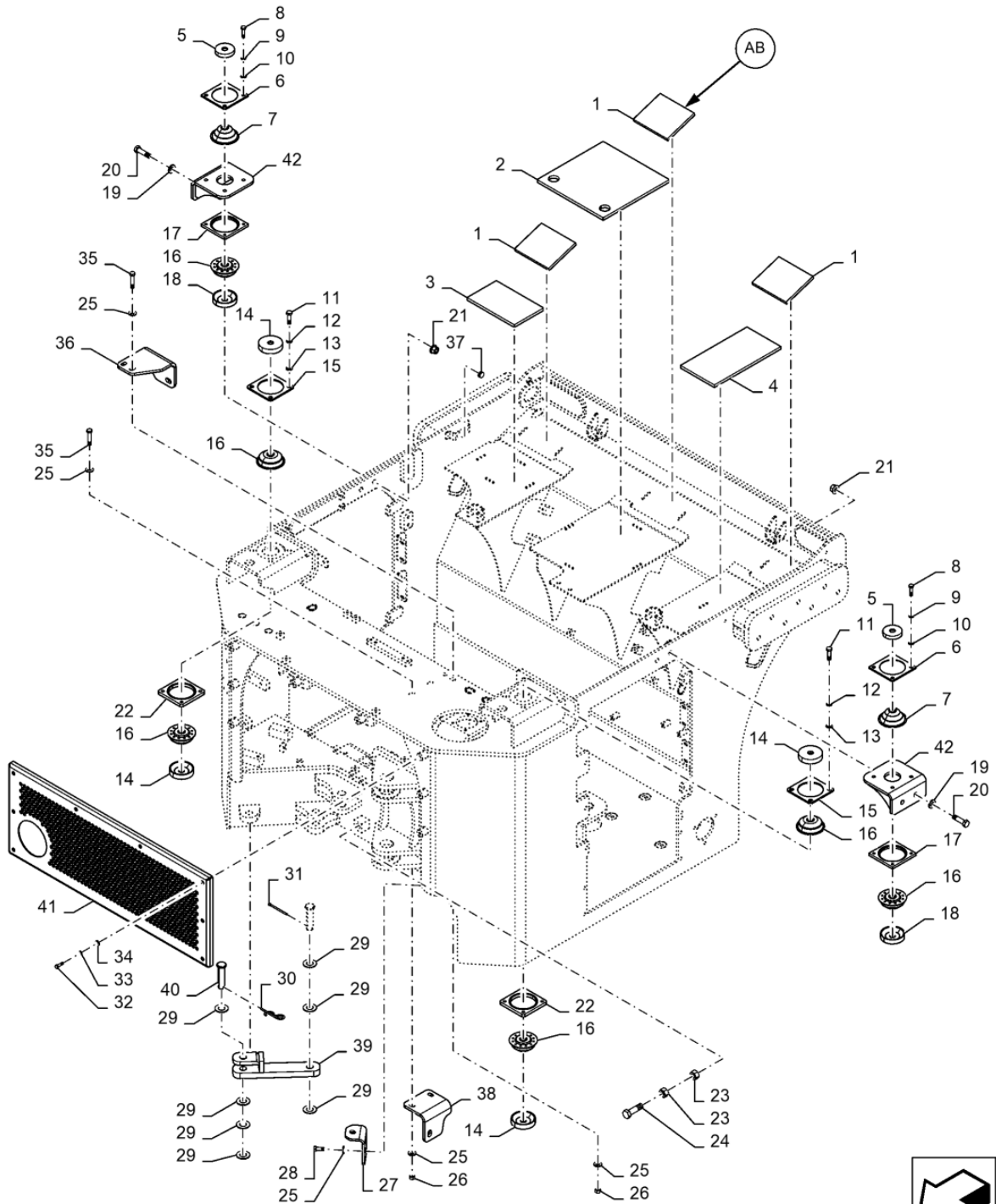
## ENGINE, FRAME

REF	PN	QTY	DESCRIPTION	USAGE
1	86639184	14	BOLT Hex, M24 x 3 x 80mm, CI 10.9, Full Thd	
2	V002203-10021	22	WASHER	
3	14305374	8	HEX SOC SCREW M6 x 20mm, CI 12.9, Full Thd	
4	892-11006	8	LOCK WASHER M6	
5	895-11006	8	WASHER 6.6mm ID x 12mm OD x 1.6mm Thk	
6	92068858	2	BRACKET	Pwrtan, Mounting Head Lamp
7	84010564	8	LOCK NUT Prev Torque, M20 x 2.5 x 23mm, CI 10	Prev Torque, Non-Mtl M20 10 Znd
8	BU4130054	2	GROMMET	Cab, Gromet - Tb80
9	V002203/10010	22	WASHER	
10	892-11010	4	LOCK WASHER M10	
11	9706704	4	BOLT Hex, M10 x 1.5 x 35mm, CI 8.8, Full Thd	
12	9846949	8	BOLT Hex, M20 x 2.5 x 80mm, CI 10.9	
13	92188823	2	COVER	
14	92217170	1	PLATE	WA, Vibration Side, Pwrtan
15	92217174	1	PLATE	WA, Travel Side, Pwrtan
16	92068221	1	CROSSMEMBER	Pwrtan, Engine Frame

# 39.100.AS [02]

p1

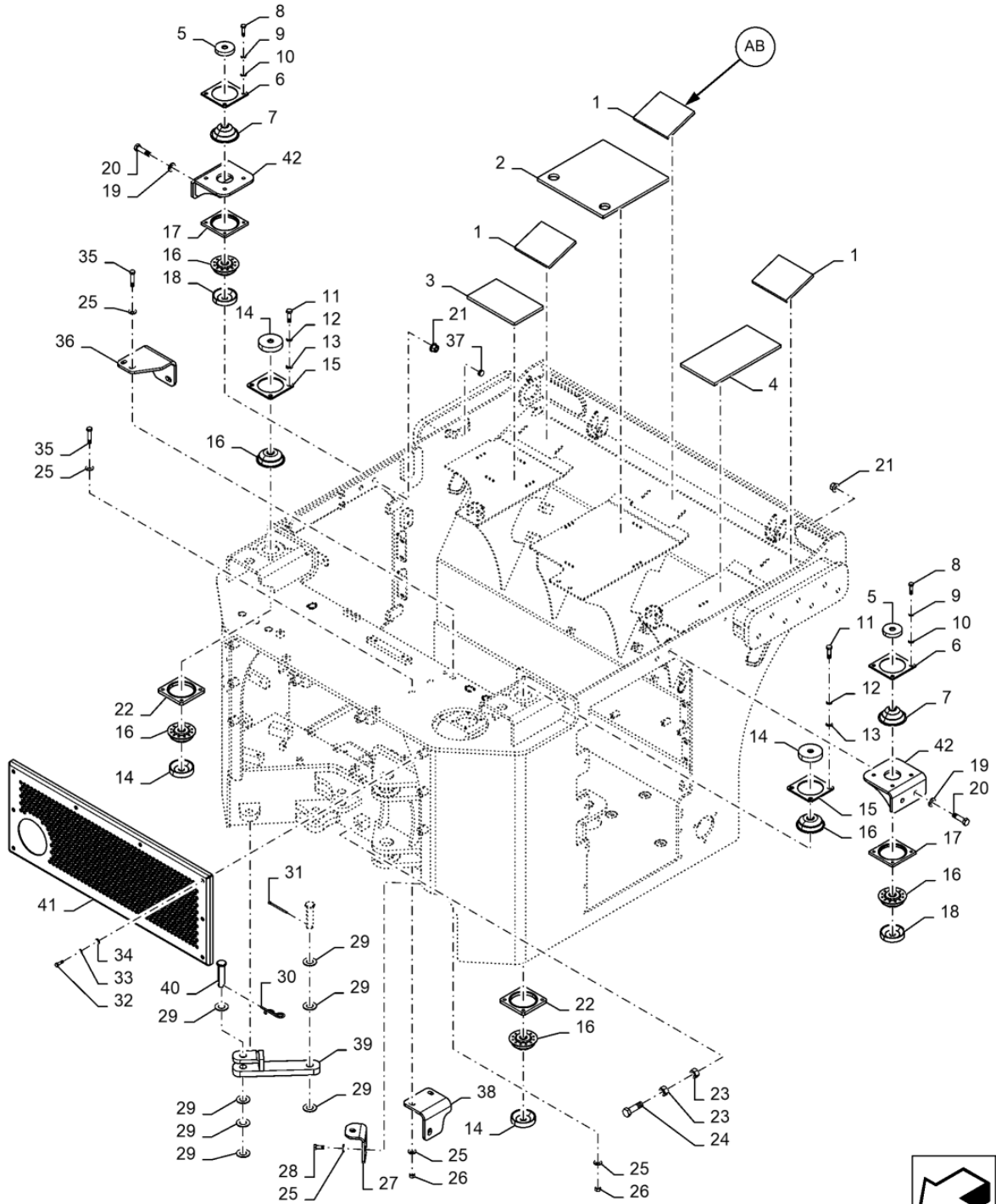
## ENGINE, FRAME



## ENGINE, FRAME

REF	PN	QTY	DESCRIPTION	USAGE
1	47841626	3	PAD	Rubber, Plastic Tank Front
2	92041029	1	PAD	Rubber, Plastic Tank Central
3	47841628	1	PAD	Rubber, Plastic Tank Rh
4	47841629	1	PAD	Rubber, Plastic Tank Lh
5	V204029/50396	2	WASHER V204029/50396	
6	47883754	2	PLATE	Avm Mtg, Top
7	47922121	2	RUBBER MOUNTING	Op-Top
8	120068	8	BOLT Hex, M10 x 1.5 x 40mm, CI 8.8	
9	892-11010	8	LOCK WASHER M10	
10	P00034611V	8	WASHER	
11	412087	8	BOLT Hex, M12 x 1.75 x 45mm, CI 10.9, Full Thd	
12	892-11012	8	LOCK WASHER M12	
13	P00034613X	8	WASHER	
14	47917513	4	WASHER	Bushing, Bottom Conical
15	47916727	2	PLATE	Top, Avm, Mtg,Ce Grey
16	47922122	6	RUBBER MOUNTING	Op-Bottom
17	47883755	2	PLATE	Avm Mtg Plate, Bottom,
18	V204029/50397	2	WASHER V204029/50397	
19	11191579	4	BELLEVILLE WASHER M16 Bolt Size x 34mm OD x 3.6mm Thk	
20	11119131	4	BOLT Hex, M16 x 60, 10.9	
21	87016581	4	FLANGE NUT M16 x 2, CI 10	Prev Torque, All Mtl Flg M16 10 Znd
22	47916725	2	PLATE	Bottom, Avm, Mtg,Ce Grey
23	9847024	4	NUT Hex, M20 x 2.5, CI 10, ZND	
24	440588	2	BOLT Hex, M20 x 70, 8.8	
25	11190879	12	BELLEVILLE WASHER M12 Bolt Size x 30mm OD	
26	9706685	4	NUT Hex, M12 x 1.75, CI 8, ZND	
27	92060135	1	BRACKET	Hyd Tank Mounting Bottom
28	43260	4	BOLT Hex, M12 x 1.75 x 30mm, CI 10.9, Full Thd	
29	92210498	7	WASHER	Rubber
30	P00036020C	1	CLEVIS PIN	Hair Cotter
31	300424	1	PIN	
32	43128	8	BOLT Hex, M8 x 1.25 x 30mm, CI 8.8, Full Thd	

ENGINE, FRAME



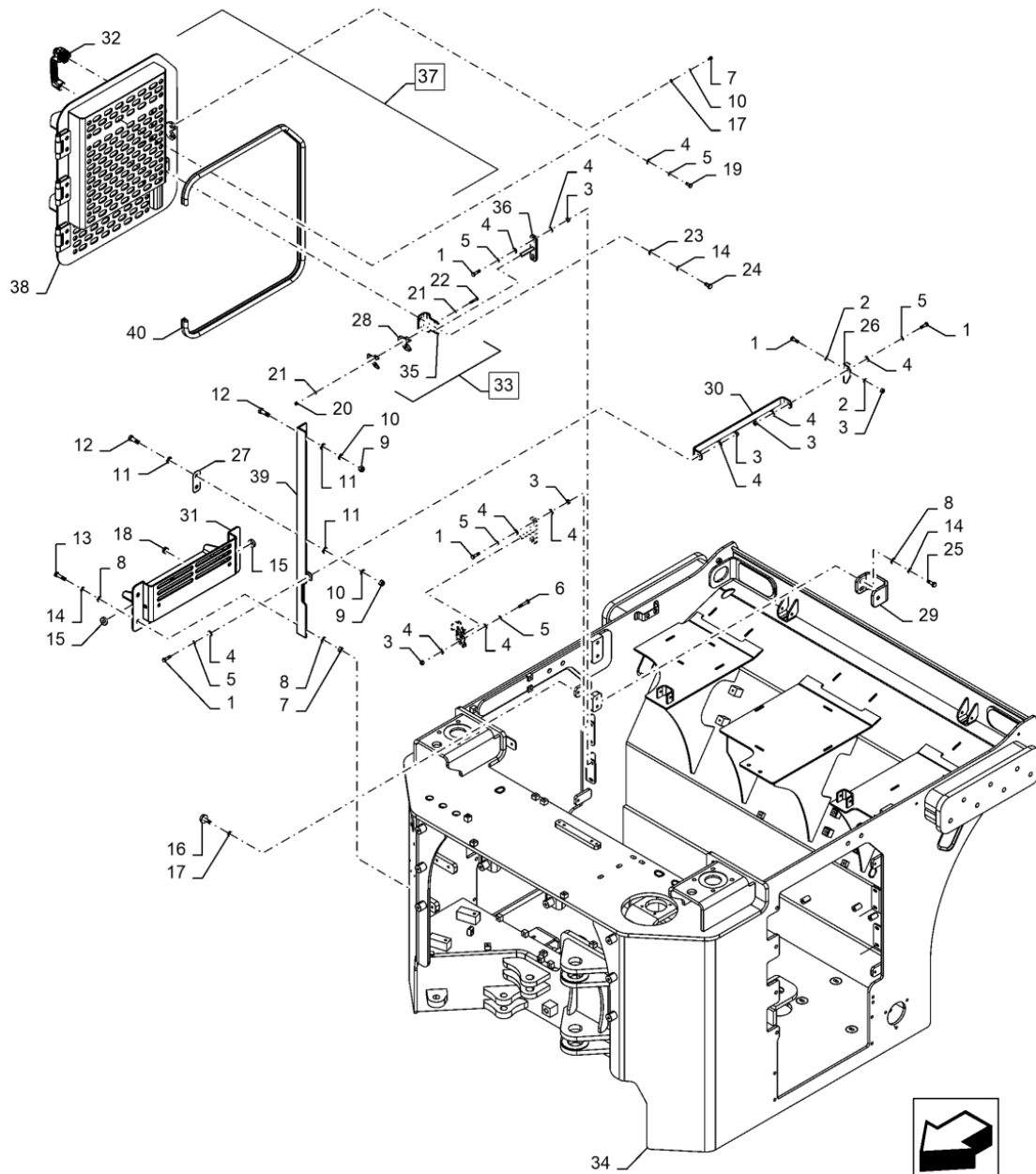
## ENGINE, FRAME

REF	PN	QTY	DESCRIPTION	USAGE
33	892-11008	8	LOCK WASHER 8mm ID	
34	12647121	8	WASHER 8.15mm ID x 20mm OD x 3mm Thk	
35	9706693	4	BOLT Hex, M12 x 1.75 x 60mm, Cl 8.8	
36	92060132	1	BRACKET	Wa, Hyd Tank Mtg Top
37	BU4130048	2	GASKET	Grommet, 16X3 Mm Pvc
38	92093688	1	BRACKET	Hyd Tank Mounting
39	92275095	1	PLATE	Steering Lock, Traffic Red
40	92212959	1	PIN	Steering Lock
41	92283082	1	PLATE	Pwrtan, Perforated
42	92288498	2	BRACKET	WA, Pwrtan Avm Op Mounting

# 39.100.AS [03]

p1

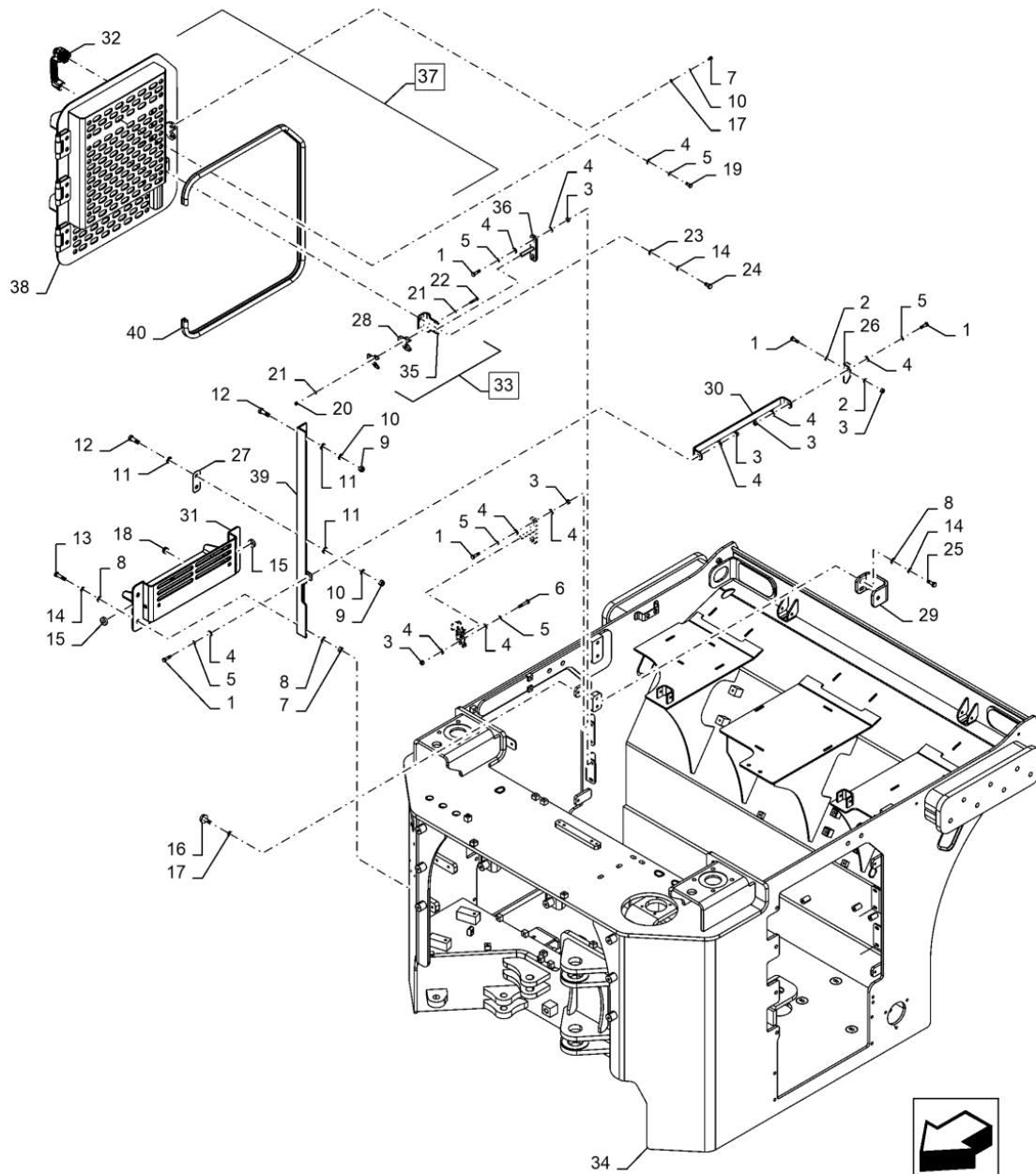
## ENGINE, FRAME



## ENGINE, FRAME

REF	PN	QTY	DESCRIPTION	USAGE
1	43128	8	BOLT Hex, M8 x 1.25 x 30mm, CI 8.8, Full Thd	
2	11193879	4	WASHER M8 Bolt Size x 16mm OD x 1.4mm Thk	
3	832-10408	10	LOCK NUT M8 x 1.25, CI 8.8	
4	86625263	16	WASHER 9mm ID x 20mm OD x 1.6mm Thk, CST, ZND	
5	892-11008	8	LOCK WASHER 8mm ID	
6	386045	2	BOLT Hex, M8 x 1.25 x 45mm, CI 8.8	
7	832-10410	4	LOCK NUT M10 x 1.5, CI 8	
8	P00034611V	12	WASHER	
9	412672	10	LOCK NUT Hex, M12 x 1.75, CI 10, ZND	
10	892-11012	10	LOCK WASHER M12	
11	P00034613X	16	WASHER	
12	86629541	8	BOLT Hex, M12 x 1.75 x 40mm, CI 8.8, Full Thd	
13	325829	4	BOLT Hex, M10 x 1.5 x 45mm, CI 8.8	
14	892-11010	12	LOCK WASHER M10	
15	92187154	2	RUBBER BUSHING	
16	91715749	1	CAB	Stopper Door
17	84221258	3	THIN NUT Hex, M10 x 1.5, CI 10, ZND	
18	BU4130048	2	GASKET	Grommet, 16X3 Mm Pvc
19	120104	1	BOLT Hex, M8 x 1.25 x 20mm, CI 8.8, Full Thd	
20	12574221	2	LOCK NUT M6 x 1, CI 10	Prev Torque, Non-Mtl M6 10 Znd
21	10519401	4	WASHER 6.4mm ID x 11.95mm OD x 1.6mm Thk	
22	10903031	2	BOLT Hex, M6 x 35mm, CI 10.9	
23	895-11010	4	WASHER 11mm ID x 20mm OD x 2mm Thk	
24	43138	4	BOLT Hex, M10 x 1.5 x 20mm, CI 8.8, Full Thd	
25	43140	4	BOLT Hex, M10 x 1.5 x 30mm, CI 8.8, Full Thd	
26	92274404	1	BRACKET	Pwrtan, Stopper Rh
27	92187157	6	SHIM	Door, 952NX-PIT

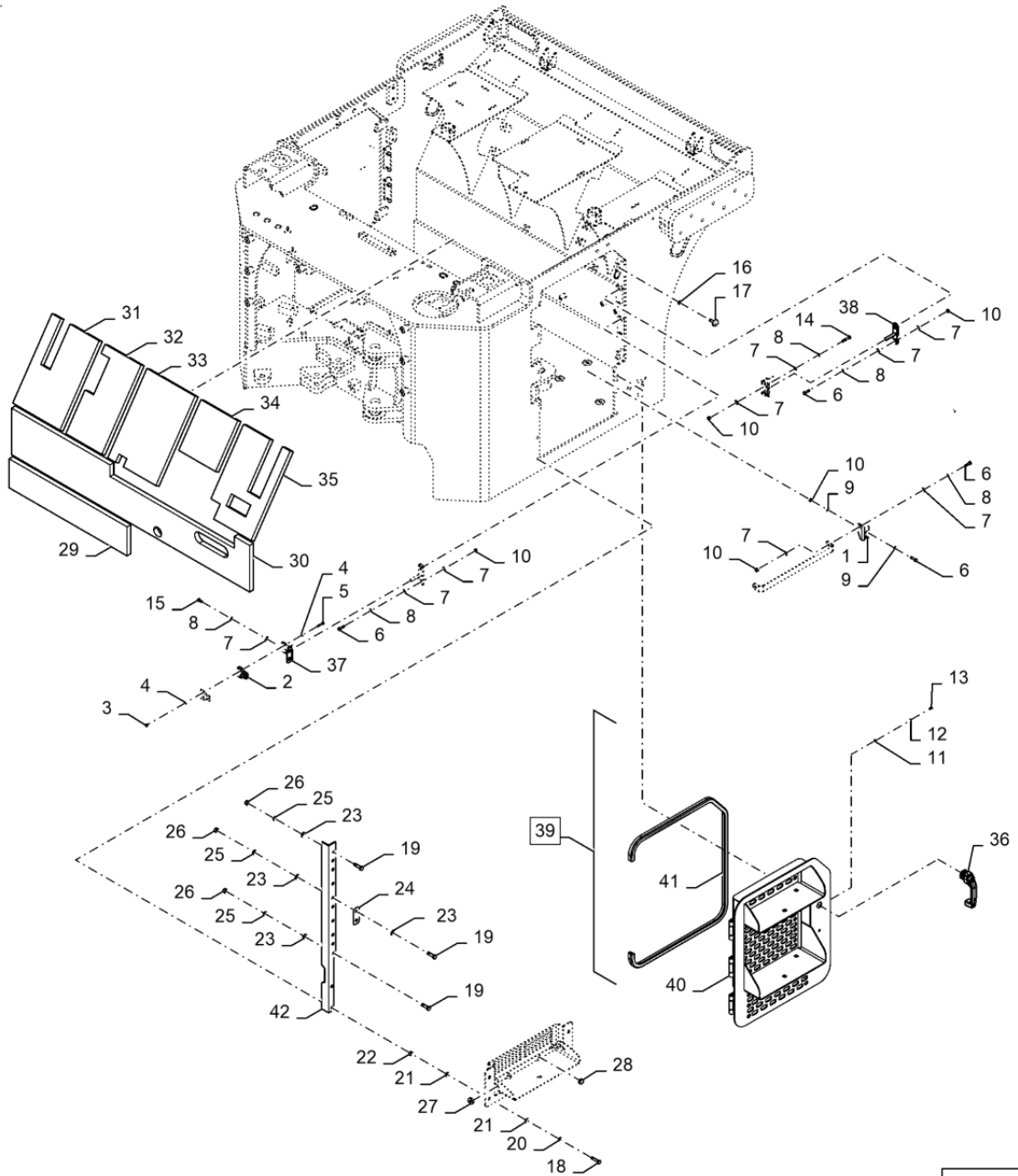
ENGINE, FRAME



**ENGINE, FRAME**

REF	PN	QTY	DESCRIPTION	USAGE
28	75324867	1	GUIDE	Flight, Rubber, Hood Plate
29	92271468	1	BRACKET	Mtg, Roc
30	92278287	1	BRACKET	Pwrtan, Door, Beading Stopper
31	92205544	1	FOOTREST	Wa, Bottom
32	92206313	1	LATCH	Door
33	92274348	1	BRACKET	Incl 28 & 35
34	92288491	1	FRAME	Pwrtan, Engine Weldment
35	92274346	1	BRACKET	Door Guide
36	92187144	2	PIN	Wa, Guide, Door
37	92187158	1	DOOR	Door, Assy, LH, Incl 38, 40
38	92244728	1	DOOR	Door Pwrtan, LH
39	92274373	1	SUPPORT	Pwrtan, Angle Mtg, LH
40	92244737	1	CORE, RUBBER TRACK	Pwrtan, Angle Mtg, LH

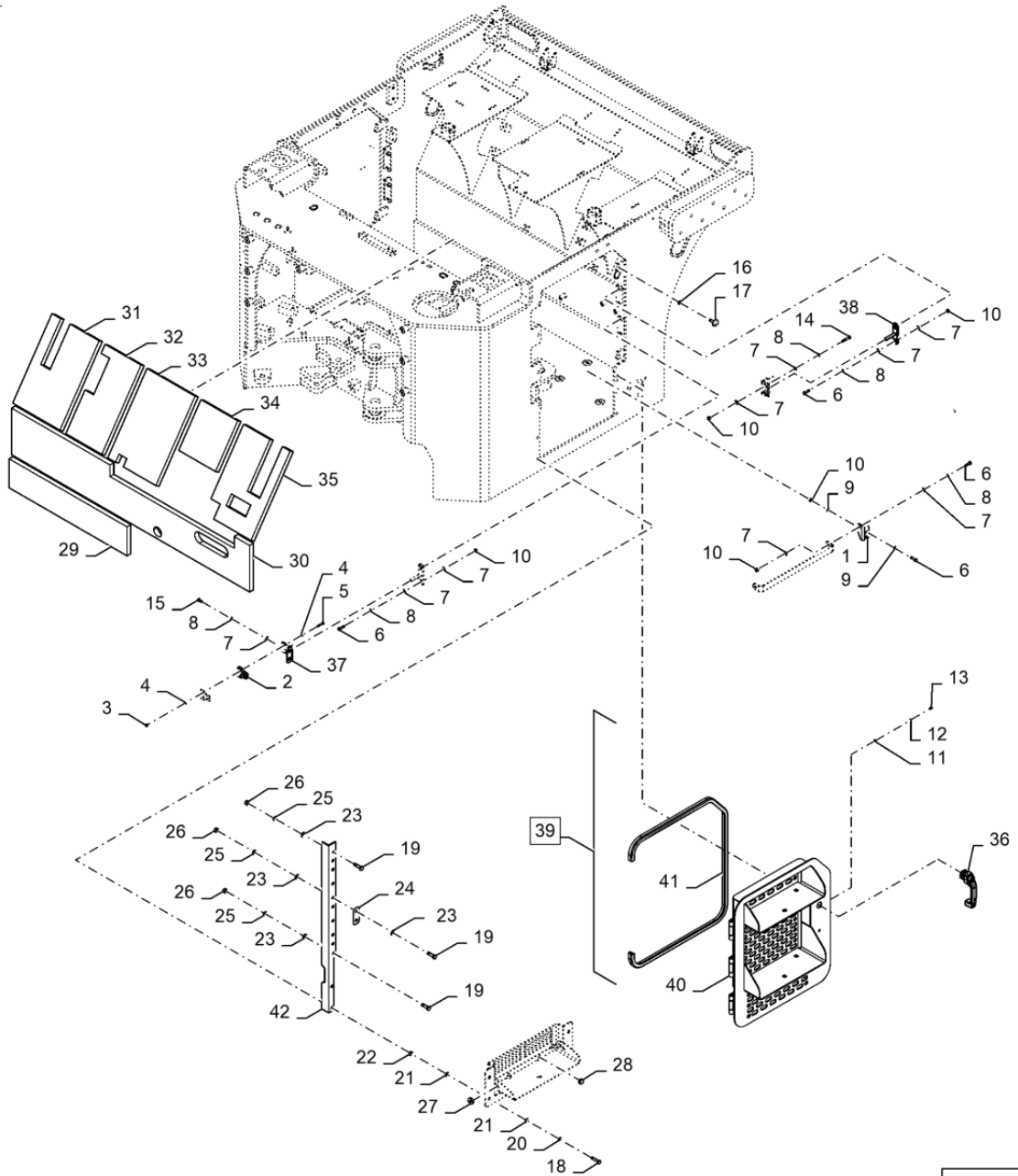
ENGINE, FRAME



## ENGINE, FRAME

REF	PN	QTY	DESCRIPTION	USAGE
1	92274402	1	BRACKET	Pwrtan, Stopper Lh
2	75324867	1	GUIDE	Flight, Rubber, Hood Plate
3	12574221	2	LOCK NUT M6 x 1, CI 10	
4	10519401	4	WASHER 6.4mm ID x 11.95mm OD x 1.6mm Thk	
5	10903031	2	BOLT Hex, M6 x 35mm, CI 10.9	
6	43128	8	BOLT Hex, M8 x 1.25 x 30mm, CI 8.8, Full Thd	
7	86625263	18	WASHER 9mm ID x 20mm OD x 1.6mm Thk, CST, ZND	
8	892-11008	10	LOCK WASHER 8mm ID	
9	11193879	8	WASHER M8 Bolt Size x 16mm OD x 1.4mm Thk	
10	832-10408	20	LOCK NUT M8 x 1.25, CI 8.8	
11	895-11006	1	WASHER 6.6mm ID x 12mm OD x 1.6mm Thk	
12	892-11006	1	LOCK WASHER M6	
13	14305131	2	HEX SOC SCREW M6 x 12mm, CI 10.9, Full Thd	
14	386045	4	BOLT Hex, M8 x 1.25 x 45mm, CI 8.8	
15	120104	2	BOLT Hex, M8 x 1.25 x 20mm, CI 8.8, Full Thd	
16	84221258	4	THIN NUT Hex, M10 x 1.5, CI 10, ZND	
17	91715749	4	CAB	Stopper Door
18	325829	8	BOLT Hex, M10 x 1.5 x 45mm, CI 8.8	
19	86629541	12	BOLT Hex, M12 x 1.75 x 40mm, CI 8.8, Full Thd	
20	892-11010	4	LOCK WASHER M10	
21	P00034611V	4	WASHER	
22	832-10410	8	LOCK NUT M10 x 1.5, CI 8	
23	P00034613X	16	WASHER	
24	92187157	6	SHIM	
25	892-11012	10	LOCK WASHER M12	
26	412672	20	LOCK NUT Hex, M12 x 1.75, CI 10, ZND	
27	92187154	4	RUBBER BUSHING	

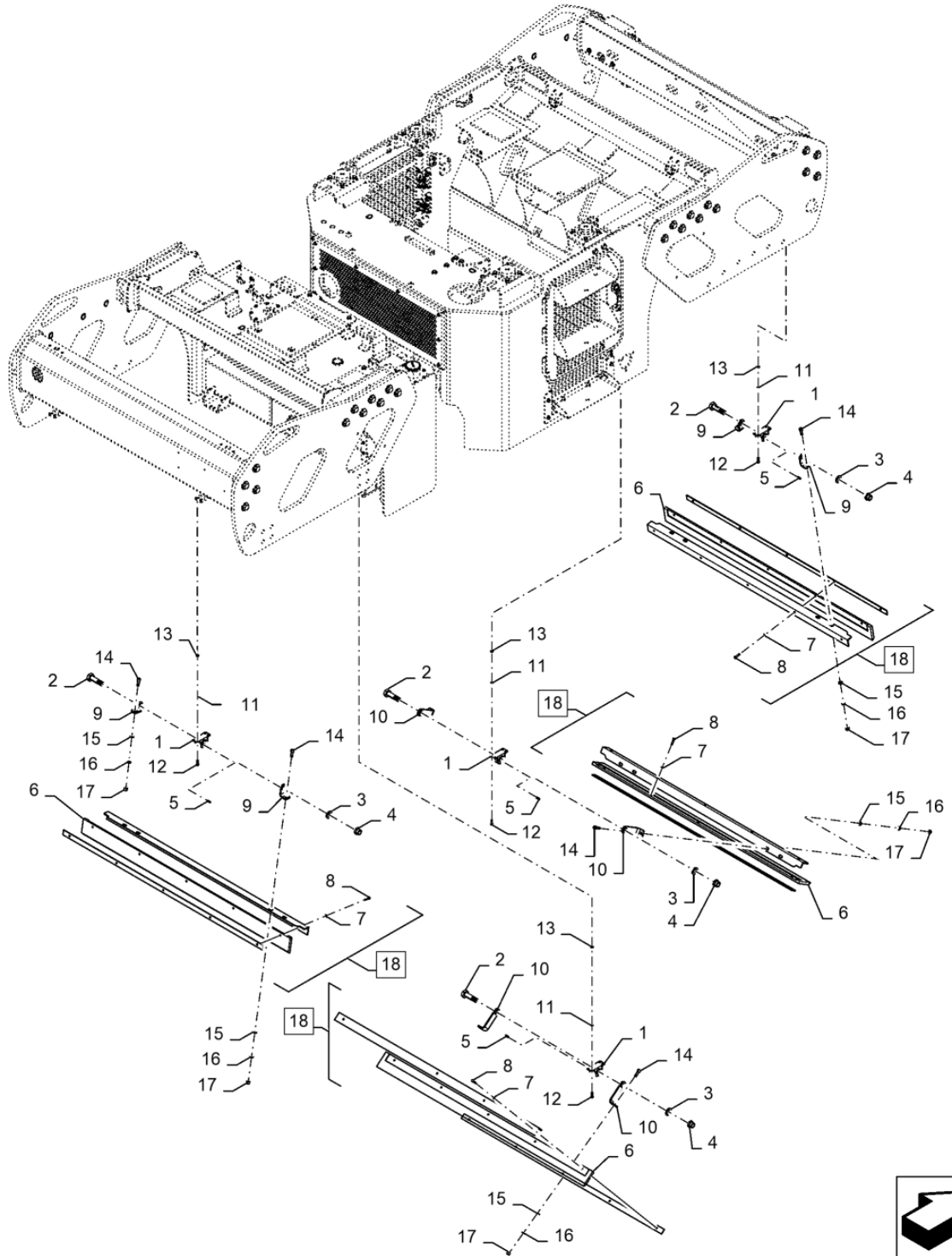
ENGINE, FRAME



## ENGINE, FRAME

REF	PN	QTY	DESCRIPTION	USAGE
28	BU4130048	2	GASKET	Grommet, 16X3 Mm Pvc
29	92277892	1	FOAM	Engine Frame, Bottom
30	92277189	1	FOAM	Engine Frame, Middle
31	92277188	1	FOAM	Top, Engine Frame
32	92277187	1	FOAM	Top, Engine Frame
33	92277186	1	FOAM	Top, Engine Frame
34	92277185	1	FOAM	Top, Engine Frame
35	92277184	1	FOAM	Top, Engine Frame
36	92206312	1	HANDLE	Door
37	92274346	1	BRACKET	Door Guide
38	92187144	2	PIN	Support Pwrtan, Angle Mtg, RH
39	92187159	1	DOOR	Assy, RH, 40, 41
40	92244729	1	DOOR	PWRTAN, RH
41	92244737	1	CORE, RUBBER TRACK	Beading
42	92274374	1	SUPPORT	WA, Guid Door

SCRAPER, ASSEMBLY



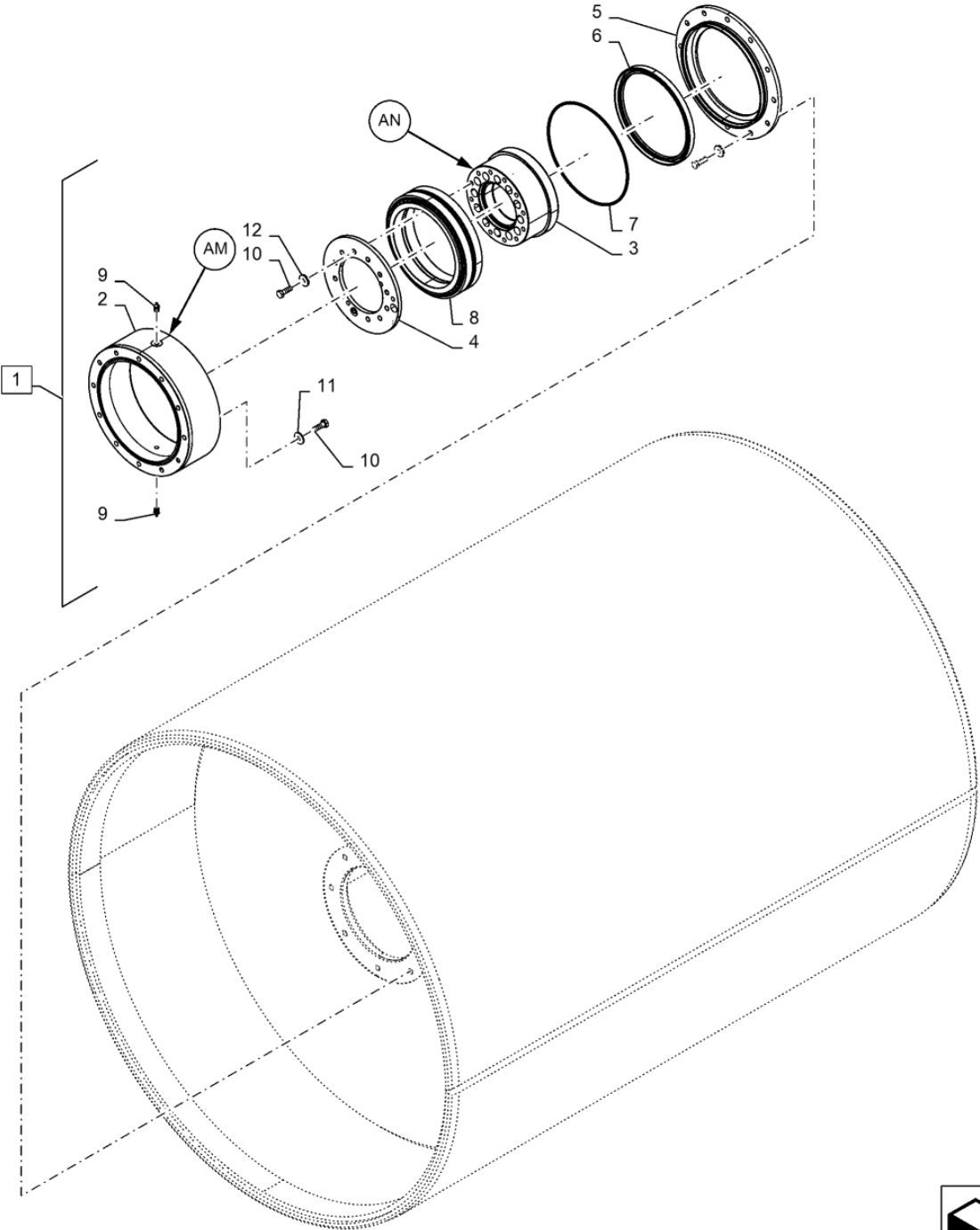
## SCRAPER, ASSEMBLY

REF	PN	QTY	DESCRIPTION	USAGE
1	V002621/03025	8	MOUNT	
2	V004050/19019	8	BOLT	
3	5148062	16	THRUST WASHER	
4	P00134566S	8	NUT	Prev Torque
5	V002314/06025	8	WOODRUFF KEY	
6	51578905	4	SCRAPER BLADE	Plate, Polymer
7	P00034609T	10	WASHER	
8	16043931	5	BOLT Hex, M8 x 1.25 x 35mm, CI 10.9, Full Thd	
9	92212466	8	BRACKET	Bracket, Support Scraper
10	92212465	8	BRACKET	Support Scraper
11	895-11008	32	WASHER 9mm ID x 16mm OD x 1.6mm Thk	
12	43128	32	BOLT Hex, M8 x 1.25 x 30mm, CI 8.8, Full Thd	
13	832-10408	32	LOCK NUT M8 x 1.25, CI 8.8	Prev Torque
14	14422131	16	HEX SOC SCREW M12 x 1.75 x 35mm, CI 10.9, Full Thd	
15	P00034613X	16	WASHER	
16	892-11012	16	LOCK WASHER M12	
17	832-10412	16	LOCK NUT M12 x 1.75, CI 8	Prev Torque
18	92211821	4	SCRAPER BLADE	Incl 6 - 8

39.500.AN [01]

p1

BEARING ASSY, FRONT, REAR



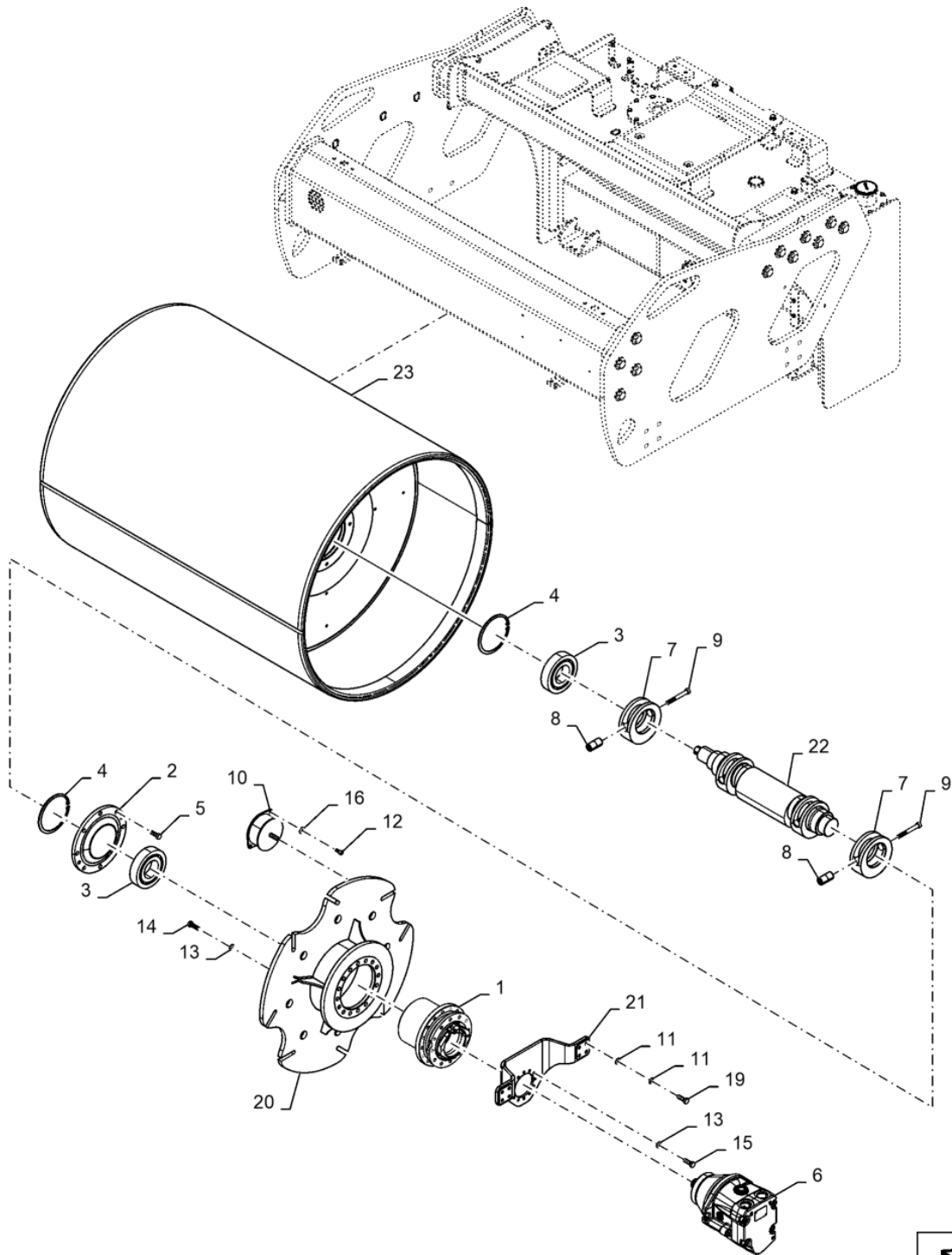
## BEARING ASSY, FRONT, REAR

REF	PN	QTY	DESCRIPTION	USAGE
1	V204010/00063	1	BEARING ASSY	Cap, Incl 2 - 12
2	V204010/50122	1	SUPPORT	Ring, Bearing
3	V204010/50123	1	PLATE	Adaptor - Bearing
4	V204010/50124	1	LOCKING PLATE	Bearing
5	V204010/50125	1	PLATE	Cover
6	V204010/30116	1	SEAL	Oil
7	238-05273	1	O-RING	
8	V204010/60182	1	BEARING ASSY	Taper Roller
9	BU4580001	2	LUBE NIPPLE	Grease Fitting
10	43140	24	BOLT Hex, M10 x 1.5 x 30mm, Cl 8.8, Full Thd	
11	11190679	12	BELLEVILLE WASHER M10 Bolt Size x 27mm OD x 2.5mm Thk	
12	V002203/10010	12	WASHER	

39.500.AN [02]

p1

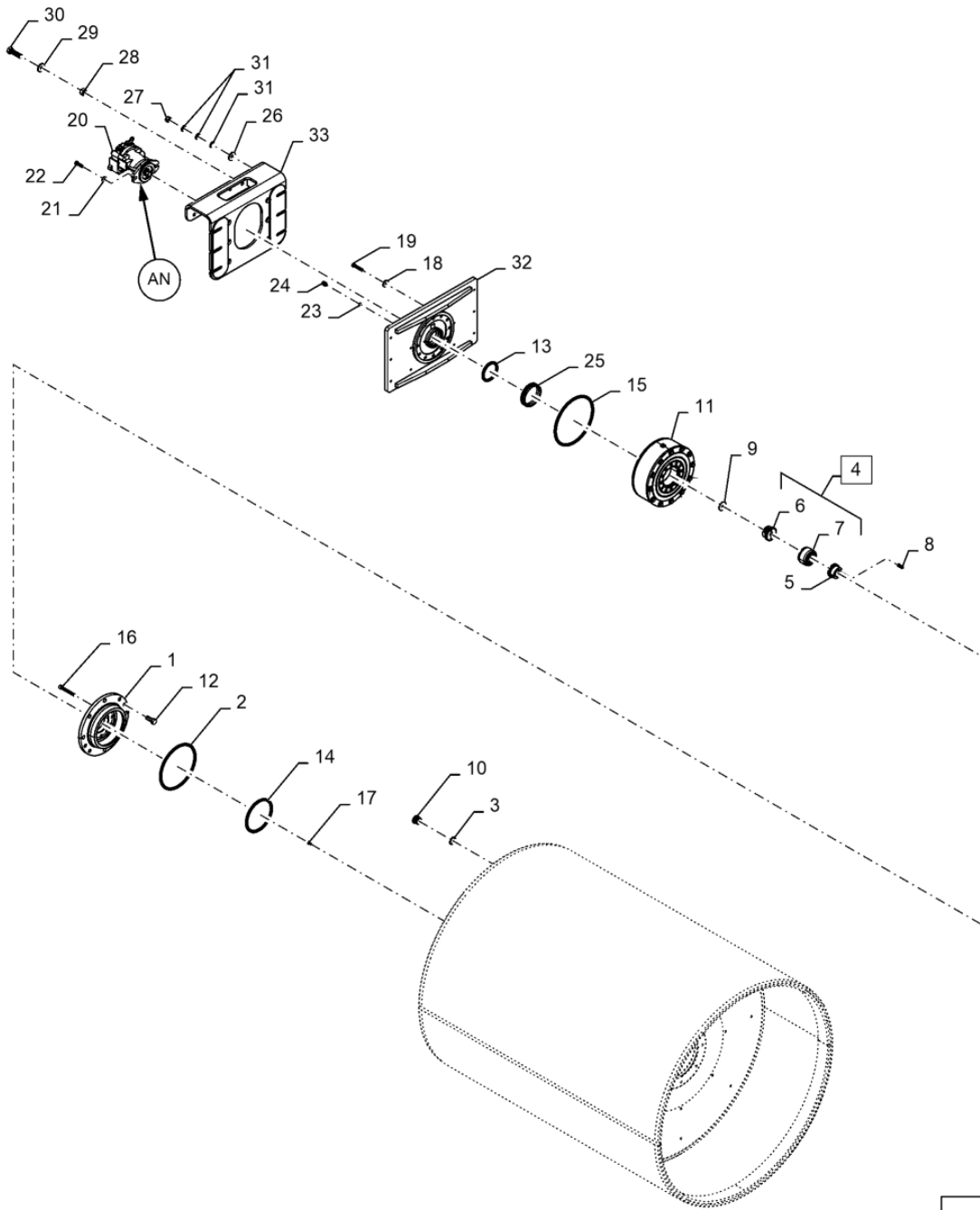
ROLLER, DRUM, ASSY



## ROLLER, DRUM, ASSY

REF	PN	QTY	DESCRIPTION	USAGE
1	47554961	1	GEARBOX	Planetary, Drum Drive
2	90467090	1	BEARING HOUSING	
3	V002712/03181	2	BEARING ASSY	
4	P00036275E	2	CIRCLIP	Internal Reg
5	P00133802M	8	BOLT Hex, M16 x 2 x 40mm, CI 8.8, Full Thd	
6	47556268	1	HYDROSTATIC MOTOR	Axial Piston, Drum Drive
7	91868798	2	WEIGHT	Floating Mass
8	V204029/50059	2	BUSHING	
9	V204029/70018	2	BOLT	Socket Head Cap
10	51586223	14	MOUNT	Pad Drum
11	V002203/10021	16	WASHER	
12	14422031	28	HEX SOC SCREW M12 x 1.75 x 30mm, CI 10.9, Full Thd	
13	P20028738S	56	WASHER	
14	412398	32	BOLT Hex, M16 x 2 x 50mm, CI 10.9, Full Thd	
15	86508624	24	BOLT Hex, M16 x 2 x 45mm, CI 10.9, Full Thd	
16	86625255	28	WASHER 13.3mm ID x 24.5mm OD x 3mm Thk, HTS, ZND	
19	827-20100	8	BOLT Hex, M20 x 2.5 x 100mm, CI 10.9	
20	91893352	2	PLATE	Drive, Gear Box Mounting
21	92034388	1	BRACKET	Gear Box
22	91868801	1	ECCENTRIC	Shaft
23	91868817	1	DRUM	Roller

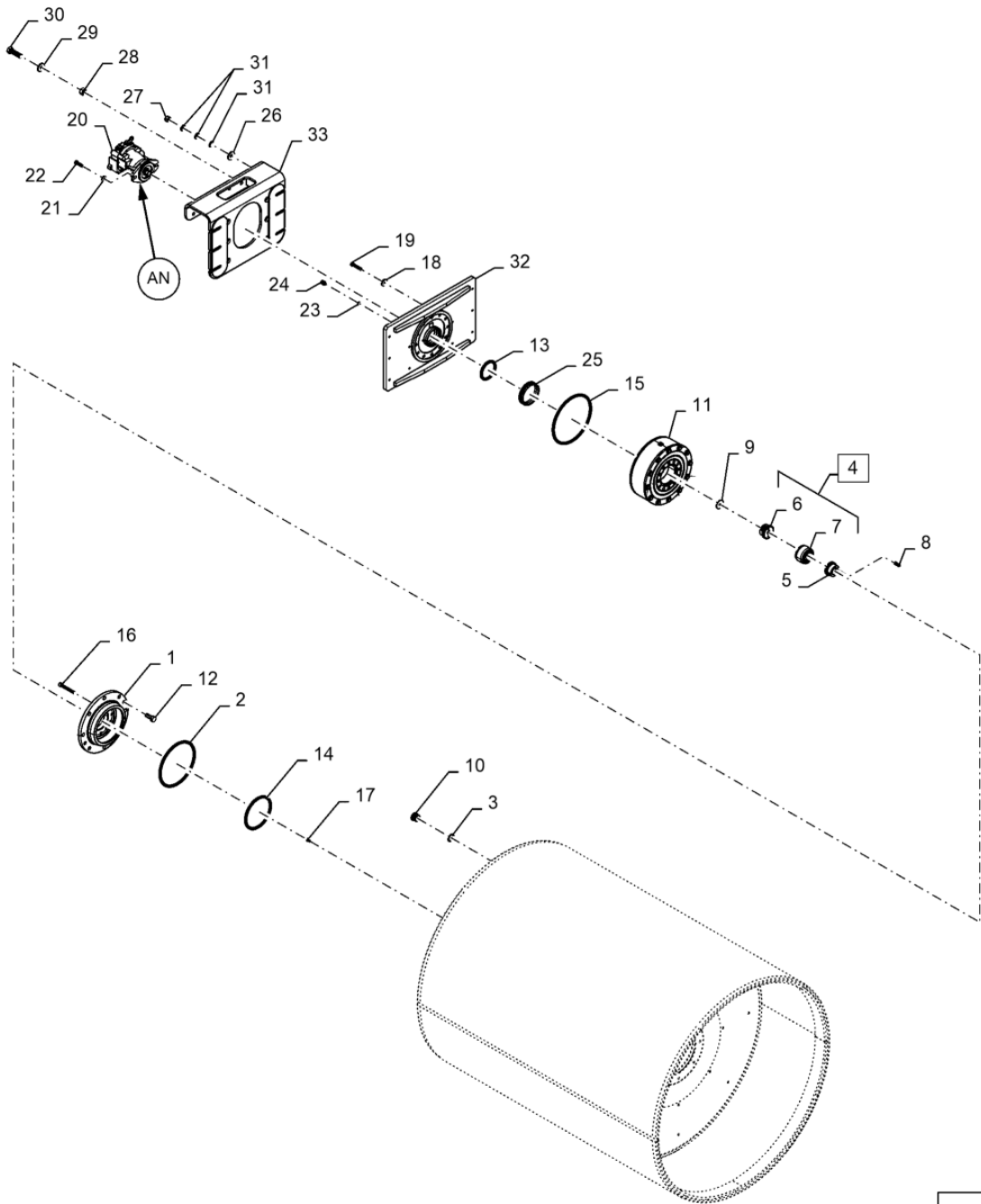
ROLLER, DRUM, ASSY



## ROLLER, DRUM, ASSY

REF	PN	QTY	DESCRIPTION	USAGE
1	90467092	1	BEARING HOUSING	
2	V002772/24030	2	O-RING	
3	V002766/03339	2	WASHER	Copper
4	V004010/22612	1	COUPLING	Coupling Incl 5 - 7
5	47921782	1	HUB	
6	47921783	1	HUB	
7	47921784	1	SLEEVE	Bowex
8	V204010/60151	1	KEY	Parellel
9	V004010/22614	1	WASHER	Coupling
10	V002506/00016	2	PLUG	
11	V204010/00063	1	BEARING ASSY	Cap
12	43168	8	BOLT Hex, M16 x 2 x 40mm, CI 8.8, Full Thd	Bolt Hex, M16 X 40Mm, CI 8.8
12	P00133802M	8	BOLT Hex, M16 x 2 x 40mm, CI 8.8, Full Thd	
13	V002772/09620	1	O-RING	
14	V204010/30115	1	O-RING	
15	V204010/30114	1	O-RING	
16	P21032934K	12	BOLT	
17	120103	1	BOLT M8 x 1.25 x 16mm, CI 8.8	
18	86592701	12	WASHER 13mm ID x 35mm OD x 5mm Thk, HTS, ZND	
19	9706693	12	BOLT Hex, M12 x 1.75 x 60mm, CI 8.8	
20	V204010/60139	1	HYDRAULIC MOTOR	Vibration
21	V204010/70004	2	WASHER	Hardened
22	86629541	2	BOLT Hex, M12 x 1.75 x 40mm, CI 8.8, Full Thd	
23	P20045207T	1	WASHER	Copper
24	V006180/01034	1	BREATHER	Plug
25	V204010/60191	2	SEAL	Dual Cone
26	V002203/10017	28	WASHER	
27	412066	28	LOCK NUT M16 x 2.0, CI 8	
28	84010564	28	LOCK NUT Prev Torque, M20 x 2.5 x 23mm, CI 10	
29	V002203/10021	40	WASHER	

ROLLER, DRUM, ASSY



**39.500.AN [03]**

p2

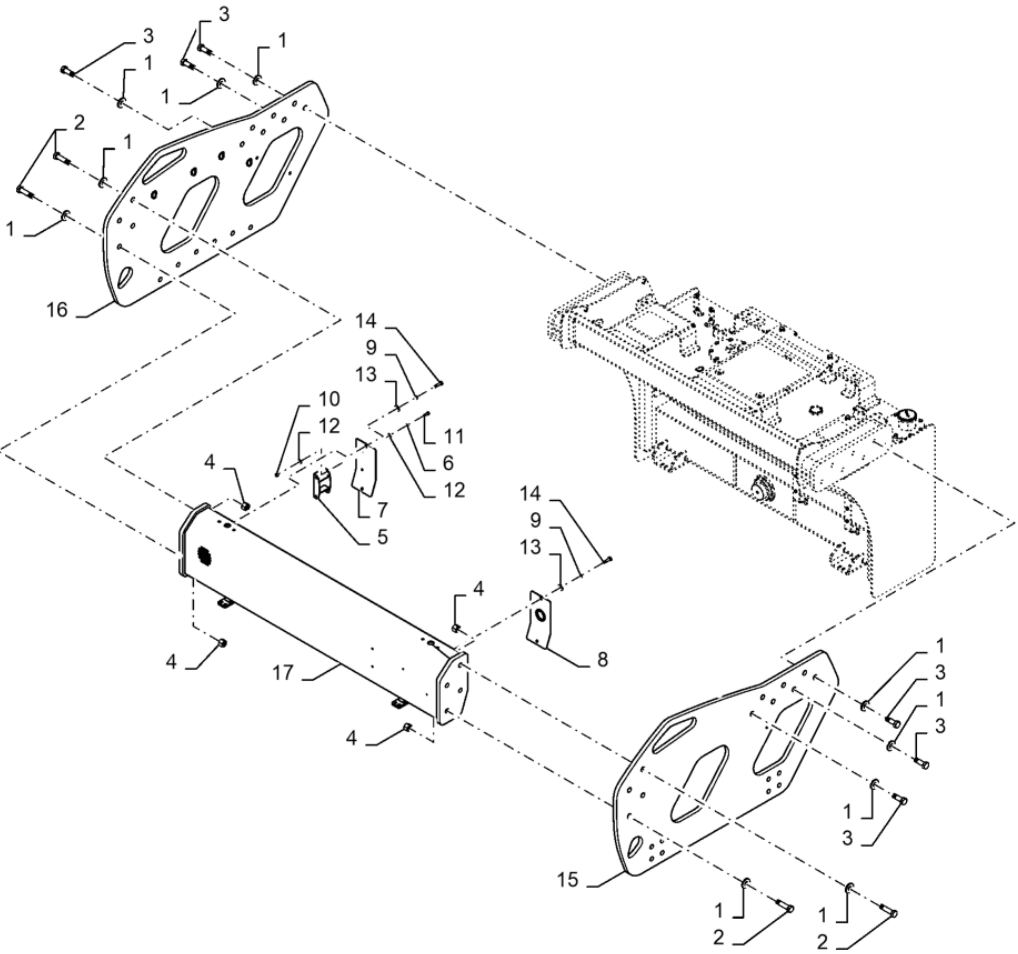
**ROLLER, DRUM, ASSY**

REF	PN	QTY	DESCRIPTION	USAGE
30	827-20100	20	BOLT Hex, M20 x 2.5 x 100mm, Cl 10.9	
31	V002806/00031	12	SPRING	
32	91868805	1	PLATE	Vibration Support
33	92034394	1	BRACKET	

39.500.AN [04]

p1

ROLLER, FRAME, ASSY



**39.500.AN [04]**

p1

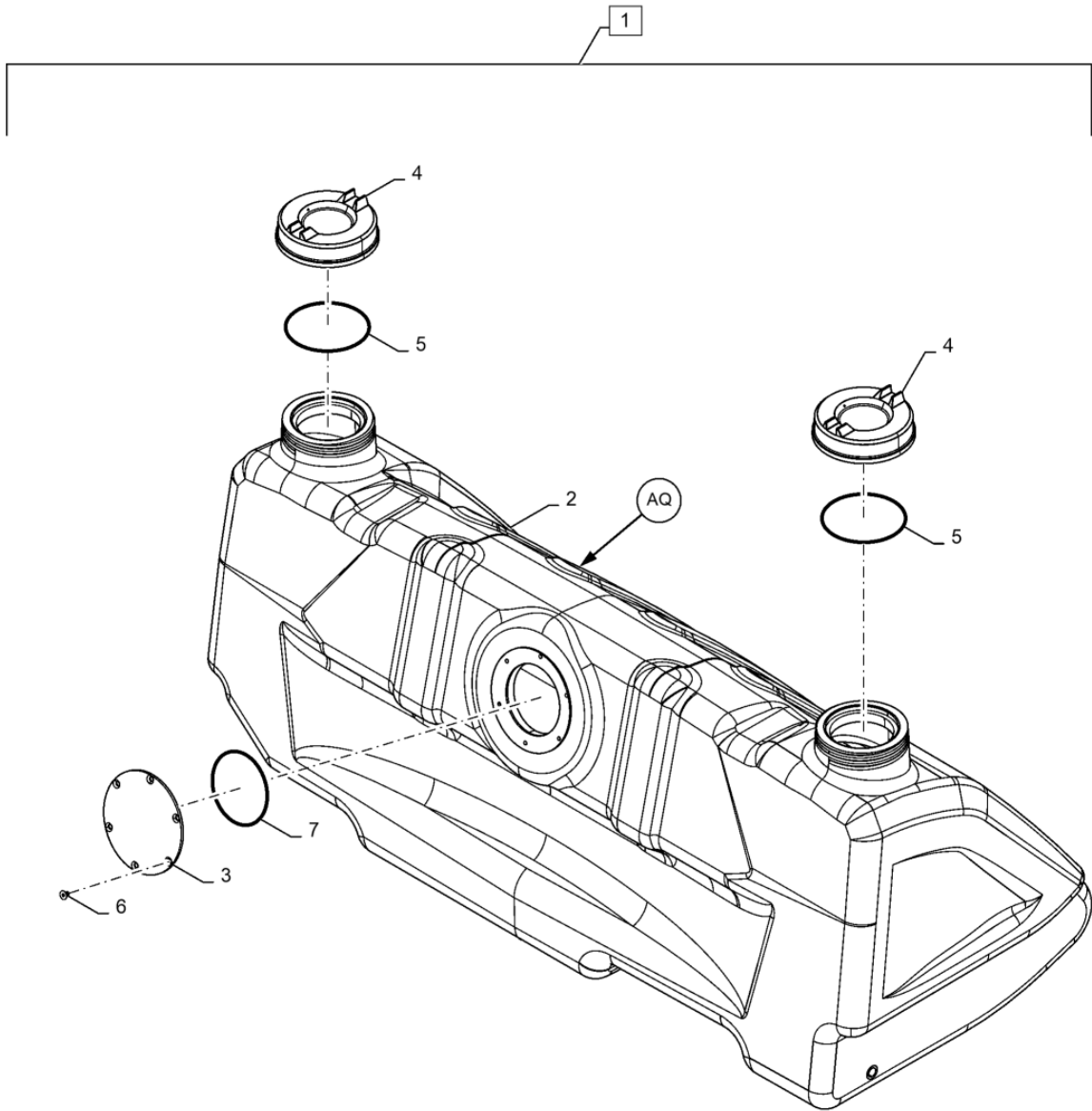
**ROLLER, FRAME, ASSY**

REF	PN	QTY	DESCRIPTION	USAGE
1	V002203-10021	22	WASHER	
2	9846949	8	BOLT Hex, M20 x 2.5 x 80mm, CI 10.9	
3	86639184	14	BOLT Hex, M24 x 3 x 80mm, CI 10.9, Full Thd	
4	84010564	8	LOCK NUT Prev Torque, M20 x 2.5 x 23mm, CI 10	
5	92072420	1	BRACKET	Pwrtan, Mounting Revers Buzzer
6	892-11008	2	LOCK WASHER 8mm ID	
7	92070520	1	BRACKET	Pwrtan, Cover Lh
8	92070523	1	BRACKET	Pwrtan, Cover Rh
9	892-11010	4	LOCK WASHER M10	
10	832-10408	2	LOCK NUT M8 x 1.25, CI 8.8	
11	43127	2	BOLT Hex, M8 x 1.25 x 25mm, CI 8.8, Full Thd	
12	12647121	4	WASHER 8.15mm ID x 20mm OD x 3mm Thk	
13	13578621	4	WASHER 10.2mm ID x 30mm OD x 2mm Thk, R80, ZND	
14	16040821	4	BOLT Hex, M10 x 1.5 x 40mm, CI 8.8, Full Thd	
15	92217174	1	PLATE	Wa, Travel Side, Pwrtan
16	92217170	1	PLATE	Wa, Vibration Side, Pwrtan
17	92041342	1	CROSSMEMBER	Pwrtan, Non Engine Frame

39.500.AQ [01]

p1

TANK, ASSY, WATER



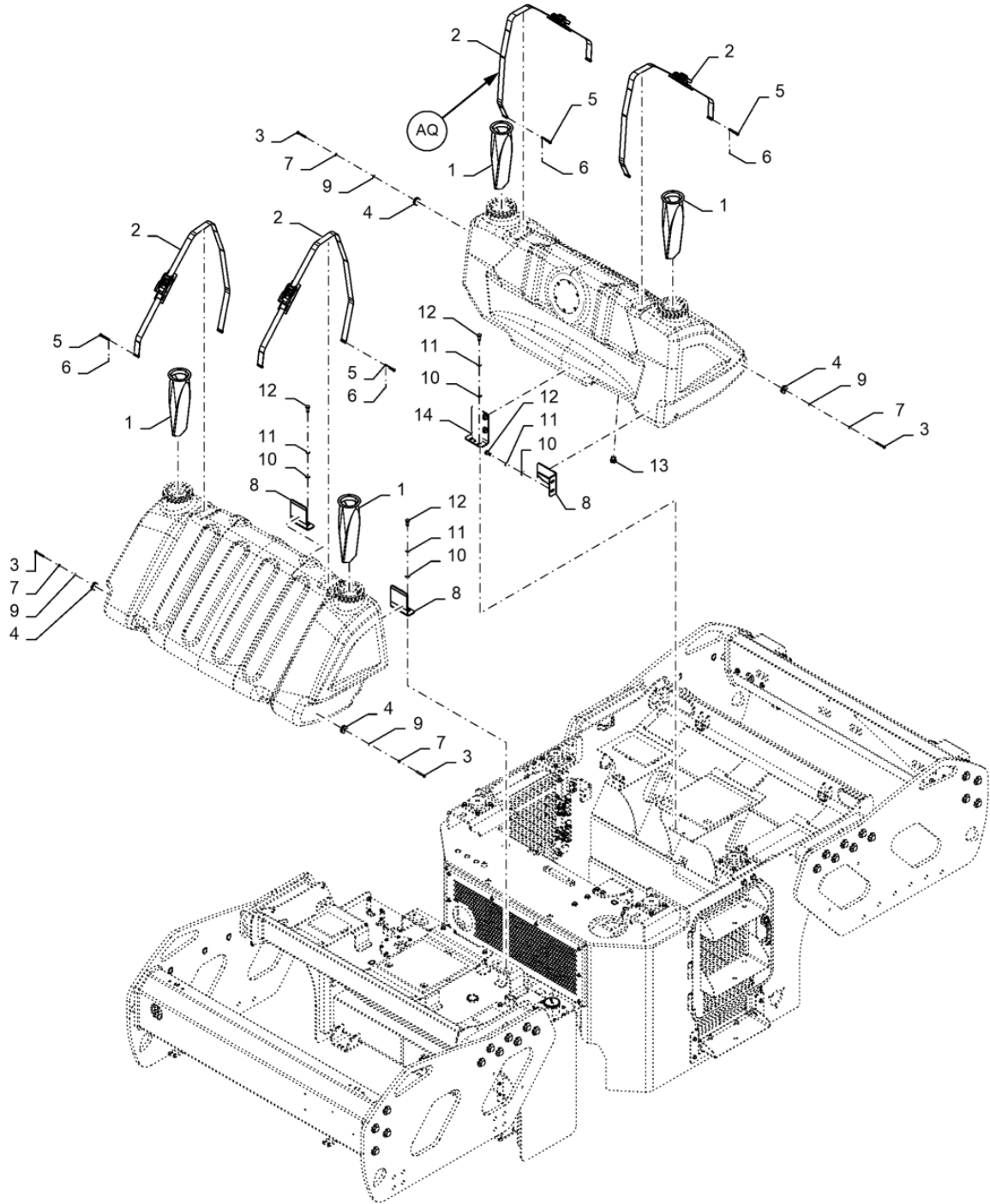
**39.500.AQ [01]**

p1

**TANK, ASSY, WATER**

REF	PN	QTY	DESCRIPTION	USAGE
1	47876982	2	TANK	Assy Plastic, Water, Incl 2 - 7
2	NSS	1	NOT SOLD SEPARAT	Tank Assy, Water, Plastic
3	51421895	1	WINDOW	Cleaning Plate
4	51421953	2	FILLER CAP	Assy,Water Tank
5	47866532	2	O-RING	Cap, Water Tank
6	89509420	6	SCREW FLAT, M8 x 1.25 x 12mm, CI 8.8	Hex Soc, M8X12 Full 8.8 Znd
7	47877042	1	O-RING	Cleaning Window

TANK, ASSY, WATER



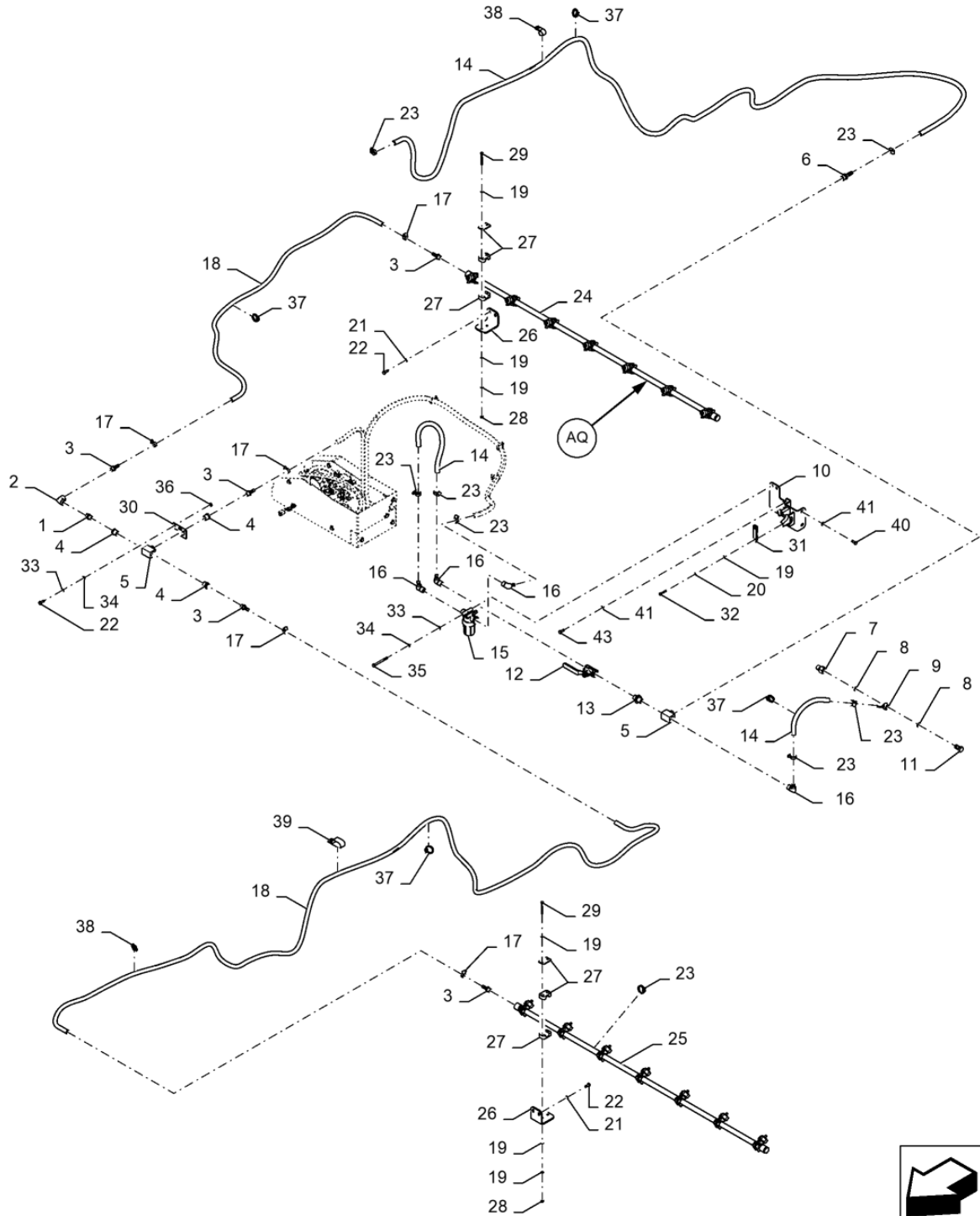
**39.500.AQ [02]**

p1

**TANK, ASSY, WATER**

REF	PN	QTY	DESCRIPTION	USAGE
1	47856354	4	FILTER	Bag, Water Tank
2	91852127	4	STRAP	Water Tank
3	614-8060	7	BOLT Hex, M8 x 1.25 x 60mm, CI 8.8, Full Thd	
4	47885222	7	STOP	Assy, Water Tank
5	47858702	8	HEADED PIN	
6	732-2016	8	COTTER PIN M2 x 16	
7	825-1408	7	NUT M8, CI 8	
8	47887945	4	BRACKET	Assy, Stopper, Water Tank
9	11193879	7	WASHER M8 Bolt Size x 16mm OD x 1.4mm Thk	Belleville, 8.4X16, Znm
10	P00034613X	10	WASHER	
11	892-11012	10	LOCK WASHER M12	
12	43260	10	BOLT Hex, M12 x 1.75 x 30mm, CI 10.9, Full Thd	
13	47878840	1	HEX PLUG	Socket, M20X2.5 Iso 9974 - 2
14	92183185	1	BRACKET	Assy, Stopper, Water Tank

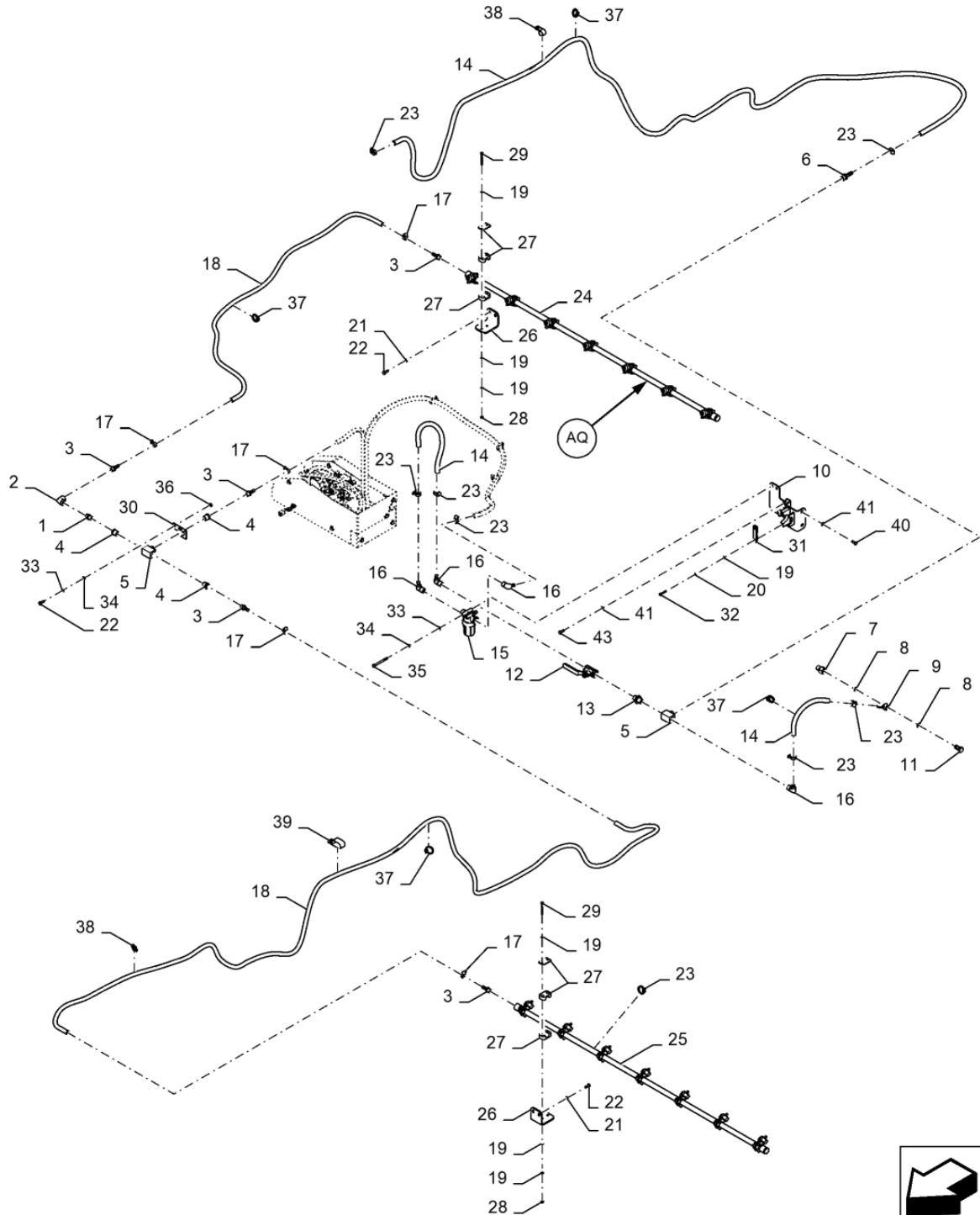
WATER SPRINKLER



## WATER SPRINKLER

REF	PN	QTY	DESCRIPTION	USAGE
1	90398299	1	NIPPLE	3-8 X 3-8
2	90398298	1	90 ELBOW	Union, 90,3-8-19 Bsptx3-8-19 Bspt
3	90398297	4	NIPPLE	Hose, 3-8
4	90398295	3	BUSHING	Threaded, 1-2M X 3-8F
5	P20137201M	4	HYD CONNECTOR	Tee, G 1-2
6	P20129104L	1	LUBE NIPPLE	Adopter - R 1-2
7	47856410	2	REDUCER	M20-M16
8	10261360	4	COPPER WASHER M16.3 x 20 x 1.5, Copper	
9	47856444	2	PIPE	Union 12.5
10	92067299	1	BRACKET	Pwrtan, Filter Mounting
11	51462538	2	BANJO BOLT	M16X1.5 X28 Ss
12	V204010/30001	1	VALVE	
13	V002511/00108	1	HYD CONNECTOR	
14	V002880/12211	7.33	HOSE	
15	47890059	1	FILTER	Water, Transparent
16	47883198	4	ELBOW	Water Hose
17	V204010/60098	5	HOSE CLAMP	
18	V204010/60090	2	HOSE	
19	895-11006	14	WASHER 6.6mm ID x 12mm OD x 1.6mm Thk	
20	892-11006	2	LOCK WASHER M6	6.3X11.8 Znd
21	11193879	30	WASHER M8 Bolt Size x 16mm OD x 1.4mm Thk	Belleville, 8.4X16, Znm
22	120104	43	BOLT Hex, M8 x 1.25 x 20mm, Cl 8.8, Full Thd	M8X20 Full 8.8 Znd
23	BU3690016	8	HOSE CLAMP	Klipco 00
24	47645083	1	TUBE	Assy, Sprinkler Rear
25	47885852	1	TUBE	Assy, Sprinkler Front
26	92067315	8	BRACKET	Pwrtan, Support Sprinkler
27	V002503/30322	8	PIPE CLAMP	
28	393392	16	LOCK NUT Prev Torque, M6 x 1, Cl 8	
29	338413	16	BOLT Hex, M6 x 1 x 60mm, Cl 8.8	
30	47900334	1	BRACKET	Mtg, T-Block, Pwrtan
31	48191003	1	BLOCK	Mtg, Ball Valve, Pwrtan
32	614-6035	2	BOLT Hex, M6 x 1 x 35mm, Cl 8.8, Full Thd	

WATER SPRINKLER



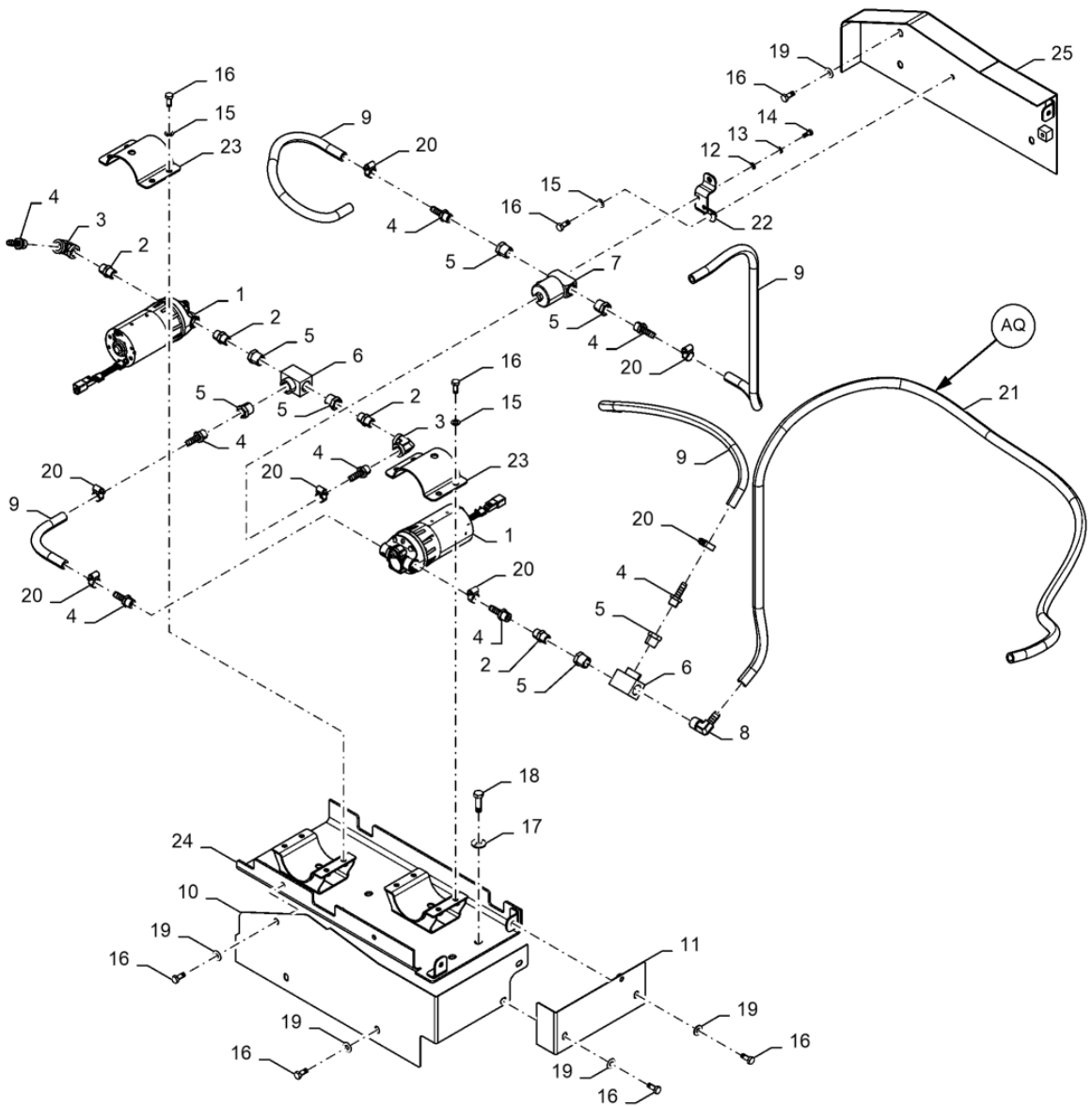
## WATER SPRINKLER

REF	PN	QTY	DESCRIPTION	USAGE
33	895-11008	4	WASHER 9mm ID x 16mm OD x 1.6mm Thk	
34	892-11008	4	LOCK WASHER 8mm ID	
35	120108	2	BOLT Hex, M8 x 1.25 x 80mm, CI 8.8, Full Thd	
36	9706690	2	NUT Hex, M8 x 1.25, CI 8, ZND	
37	L11541	16	CABLE TIE 203.2mm L, Nylon	
38	P20051904X	1	CLAMP	Dia 20
39	47048664	1	CLAMP 25.40mm - 13.49mm Bolt, CTD	Closed
40	43127	4	BOLT Hex, M8 x 1.25 x 25mm, CI 8.8, Full Thd	
41	12647021	4	WASHER 8.15mm ID x 25mm OD x 2.5mm Thk	

39.500.AQ [04]

p1

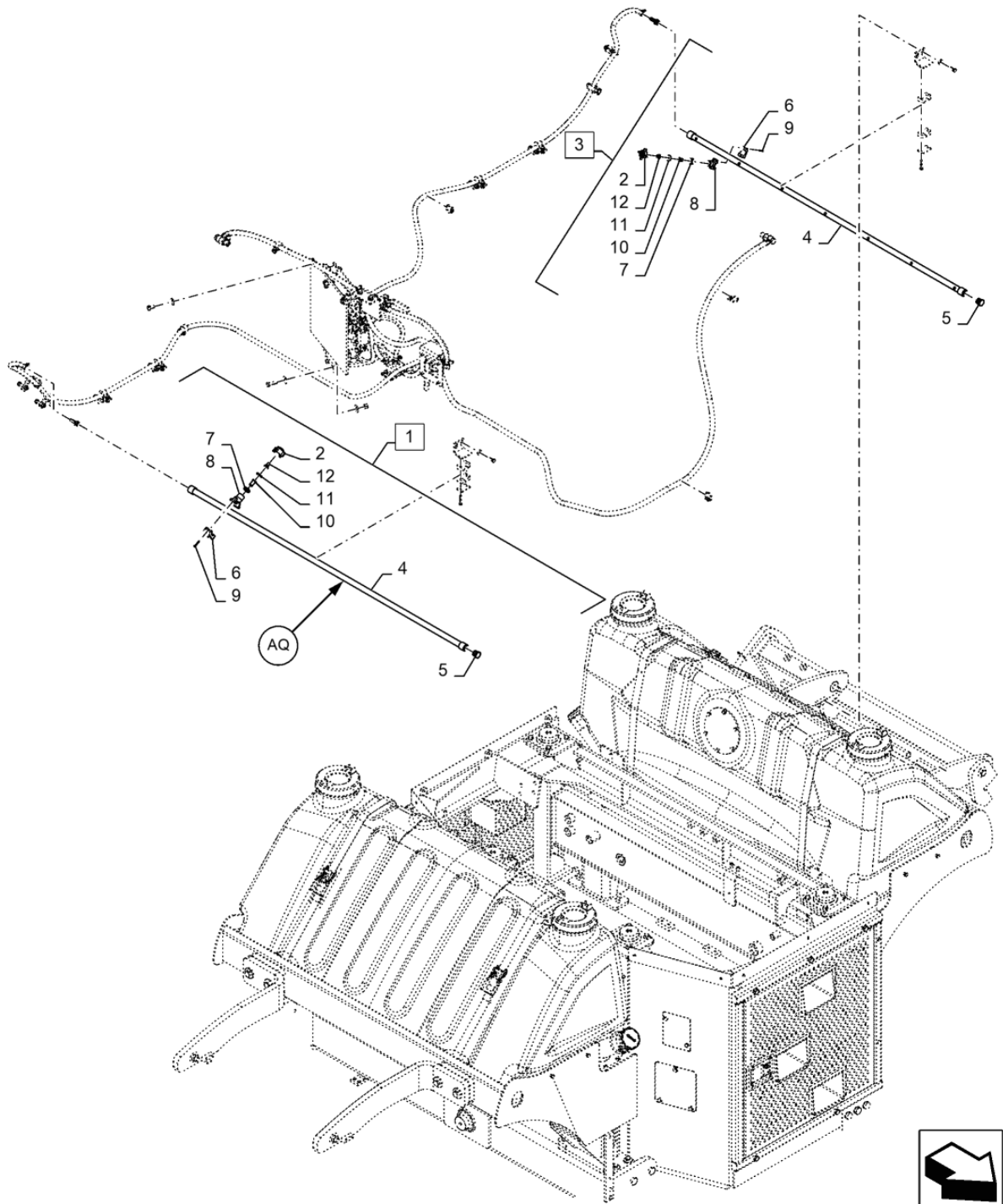
WATER SPRINKLER



## WATER SPRINKLER

REF	PN	QTY	DESCRIPTION	USAGE
1	47893318	2	WATER PUMP	Sprinkler
2	90398299	4	NIPPLE	
3	90398298	2	90 ELBOW	Union ,3-8-19 Bsptx3-8-19 Bspt
4	90398297	8	NIPPLE	Hose, 3-8
5	90398295	7	BUSHING	Threaded, 1-2M X 3-8F
6	P20137201M	2	HYD CONNECTOR	Tee, G 1-2
7	V204010/60137	1	SOLENOID VALVE	
8	47883198	1	ELBOW	Water Hose
9	V204010/60090	4	HOSE	
10	92067310	1	BRACKET	Pwrtan, Pump Front Cover
11	92067313	1	BRACKET	Pwrtan, Side Cover, Pump
12	895-11006	52	WASHER 6.6mm ID x 12mm OD x 1.6mm Thk	
13	892-11006	2	LOCK WASHER M6	
14	86977726	2	BOLT Hex, M6 x 1 x 12mm, CI 8.8, Full Thd	
15	11193879	30	WASHER M8 Bolt Size x 16mm OD x 1.4mm Thk	
16	120104	43	BOLT Hex, M8 x 1.25 x 20mm, CI 8.8, Full Thd	
17	11190679	6	BELLEVILLE WASHER M10 Bolt Size x 27mm OD x 2.5mm Thk	
18	9706704	6	BOLT Hex, M10 x 1.5 x 35mm, CI 8.8, Full Thd	
19	895-15008	11	WASHER 9mm ID x 20mm OD x 1.6mm Thk	
20	V204010/60098	7	HOSE CLAMP	
21	V002880/12211	1	HOSE	
22	92067293	1	BRACKET	Pwrtan, Mounting Solenoid
23	92067307	2	BRACKET	Bracket Pwrtan, Pump Top Mounting
24	92067284	1	BRACKET	Pwrtan, Pump Assy Mounting
25	92067291	1	BRACKET	Pwrtan, Rear Cover Pump

WATER SPRINKLING SYSTEM



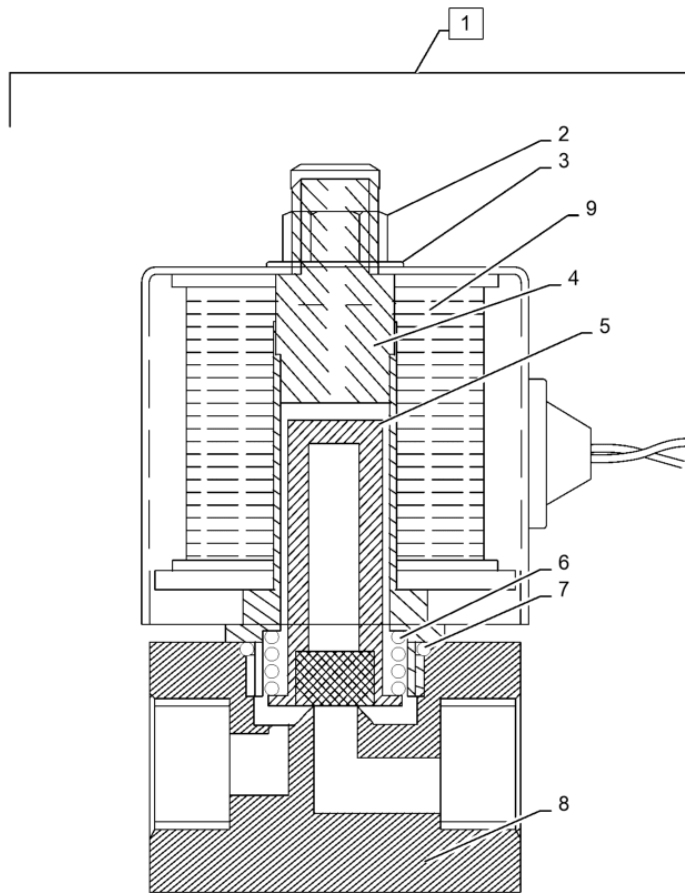
## WATER SPRINKLING SYSTEM

REF	PN	QTY	DESCRIPTION	USAGE
1	47885852	1	TUBE	Assy, Sprinkler Front, Incl 2,4 - 12
2	V204010/60134	7	CAP	
3	47645083	1	TUBE	Assy, Sprinkler Rear, Incl 2,4 -12
4	47878516	1	TUBE	WA, Sprinkler Assy
5	V204010/60196	1	CAP	End
6	V204010/60128	7	CLAMP	Hydraulic Tube Vibration Pump
7	V204010/60131	7	O-RING	
8	V204010/60130	7	HOLDER	
9	V204010/60129	14	SCREW	Bolt
10	V204010/60133	7	FILTER ASSY	
11	V204010/60132	7	GASKET	
12	V207010/60070	7	NOZZLE	Water Sprinkler

**39.500.AQ [06]**

p1

VAR - B547039, VALVE, SOLENOID, (3/8IN BSP)



**39.500.AQ [06]**

p1

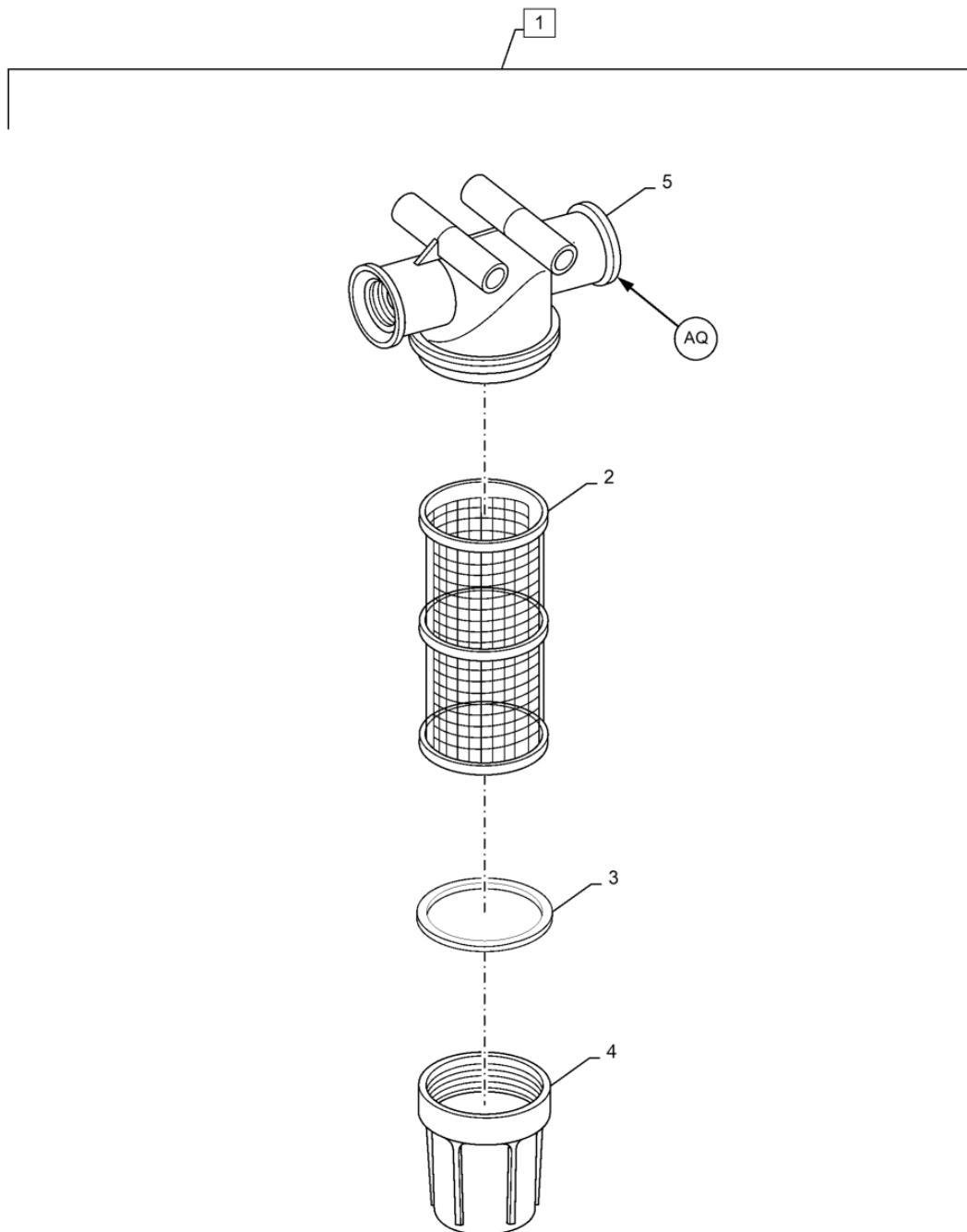
**VAR - B547039, VALVE, SOLENOID, (3/8IN BSP)**

REF	PN	QTY	DESCRIPTION	USAGE
1	V204010/60137	1	SOLENOID VALVE	(3/8In Bsp), Incl 2 - 8
2	91802908	1	NUT	Plastic
3	91802909	1	WASHER	
4	91802910	1	HOUSING	Plunger
5	91802911	1	PLUNGER	
6	91802912	1	SPRING	Plunger
7	91802913	1	O-RING	
8	91802914	1	BODY	
9	91822546	1	BODY	Coil 12V DC With Cot Tube And Lead Wire

39.500.AQ [07]

p1

FILTER, WATER TRANSPARENT



**39.500.AQ [07]**

p1

**FILTER, WATER TRANSPARENT**

REF	PN	QTY	DESCRIPTION	USAGE
1	47890059	1	FILTER	Water, Transparent, Incl 2 - 5
2	47900555	1	CARTRIDGE	Transparent Filter
3	47917224	1	GASKET	Transparent Filter
4	48167601	1	BOWL	Transparent Water Filter
5	48167602	1	BODY	Water Filter

---

## SECTION INDEX

### STEERING

---

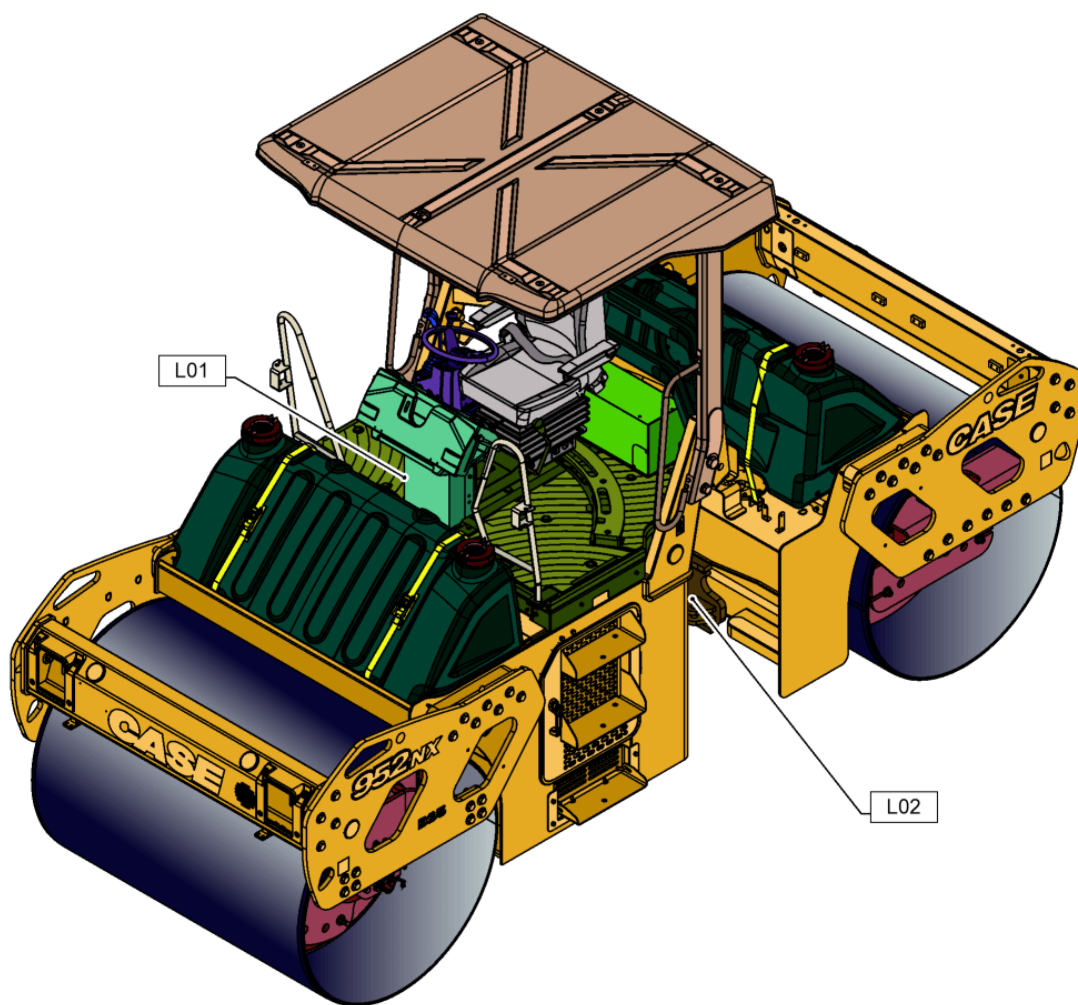
41.000.00 [01]	SECTION INDEX - STEERING
41.200.AO [01]	STEERING, CKT
41.200.AO [02]	STEERING, CKT
41.216.AN [01]	CYLINDER, STEERING



41.000.00 [01]

p1

SECTION INDEX - STEERING



**41.000.00 [01]**

p1

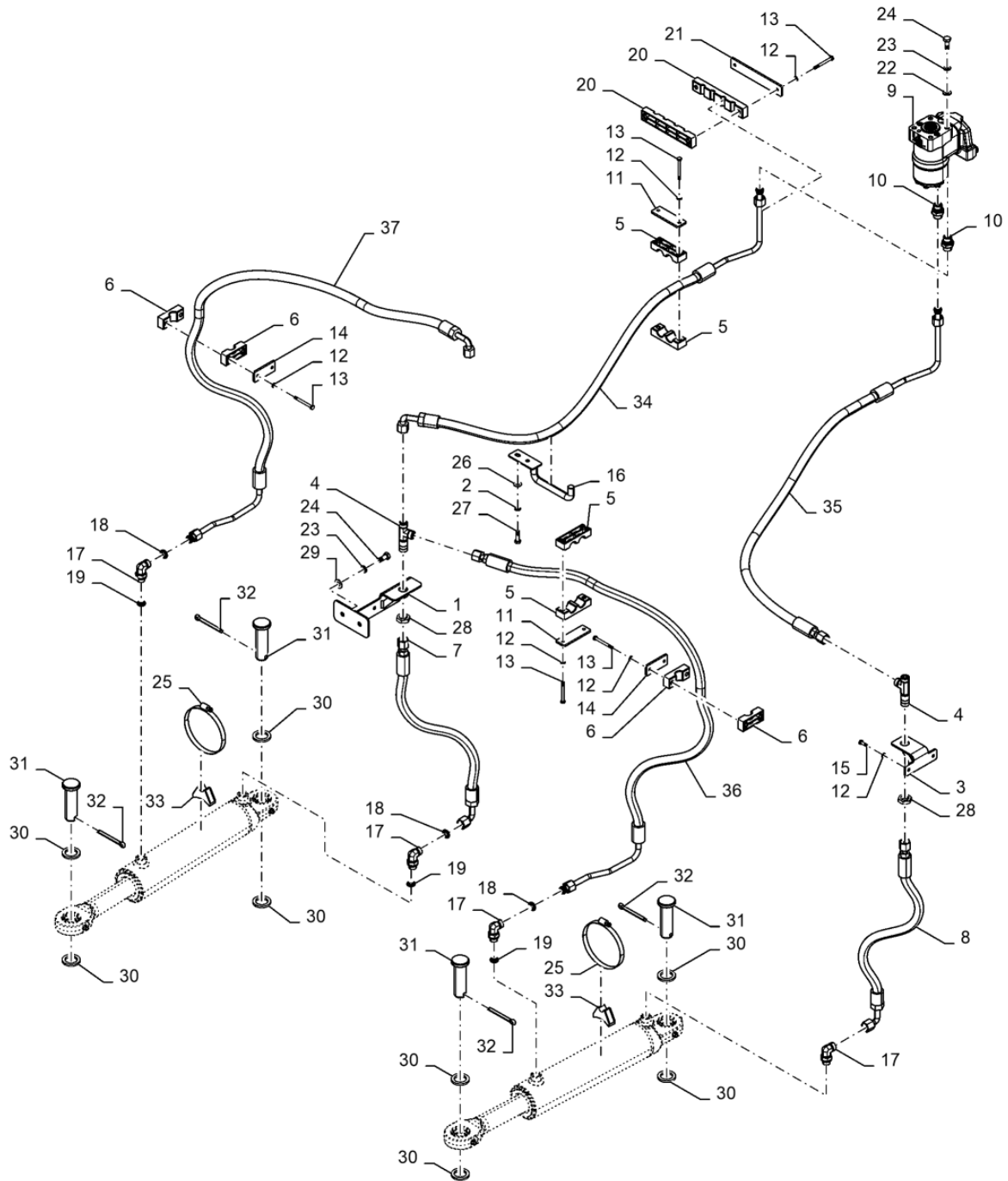
**SECTION INDEX - STEERING**

<b>REF</b>	<b>FIGURE NUMBER</b>	<b>FIGURE NAME</b>
L01	41.200.AO[01]	STEERING, CKT
L01	41.200.AO[02]	STEERING, CKT
L02	41.216.AN[01]	CYLINDER, STEERING

41.200.AO [01]

p1

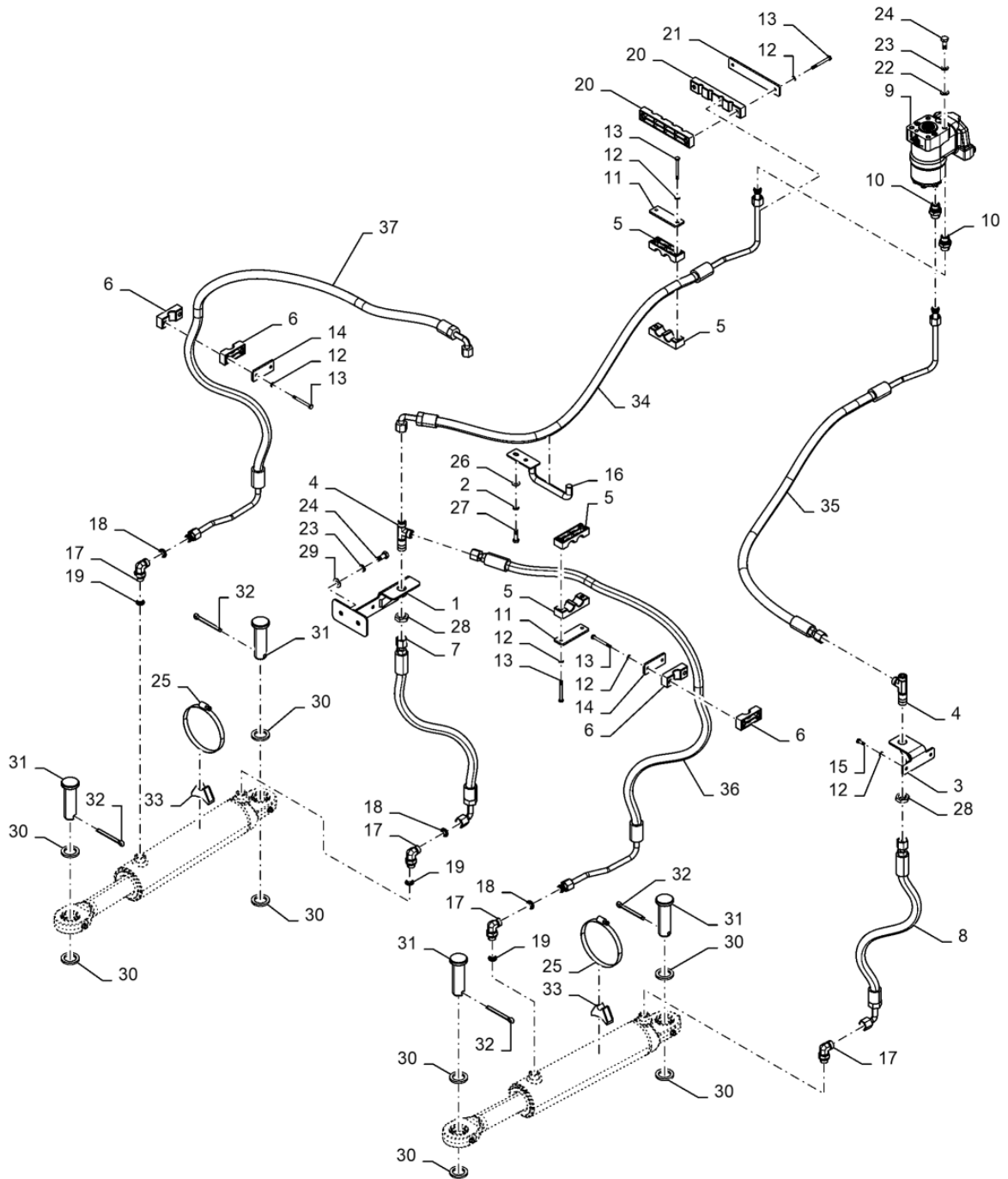
STEERING, CKT



## STEERING, CKT

REF	PN	QTY	DESCRIPTION	USAGE
1	92059937	1	BRACKET	Cegra, Bulkhead
2	892-11008	2	LOCK WASHER 8mm ID	
3	92046673	1	BRACKET	Cegra, Bulkhead
4	86639080	2	TEE 13/16"-16 ORFS, Blkd Run	Union Run Bulkhead Orfs 12Mm
5	92040973	4	CLAMP	Hose
6	92040972	4	CLAMP	Hose
7	92193987	1	HYDRAULIC HOSE	
8	92193986	1	HYDRAULIC HOSE	
9	92040976	1	STEERING VALVE	
10	BU0390221	2	HYD CONNECTOR	Steering Unit
11	92159302	2	PLATE	Support
12	895-11006	12	WASHER 6.6mm ID x 12mm OD x 1.6mm Thk	
13	338413	10	BOLT Hex, M6 x 1 x 60mm, Cl 8.8	
14	92159301	2	PLATE	Support
15	120100	2	BOLT Hex, M6 x 1 x 20mm, Cl 8.8, Full Thd	
16	90446938	1	CLAMP	Pipe Wa
17	82031421	4	90 ELBOW 90 Deg, M18 x 1.5, 13/16" - 16 ORFS	
18	5185511	1	O-RING 1.78mm Thk x 12.42mm ID, 85 Duro	
19	14437985	1	O-RING 15.3mm ID x 2.4mm Thk, HNBR	
20	92061461	2	CLAMP	Hose
21	92157847	1	PLATE	Support
22	P00034611V	4	WASHER	
23	892-11010	6	LOCK WASHER M10	
24	43139	6	BOLT M10 x 1.5, 25mm L Cl8.8 Full Thread	
25	92267886	2	HOSE CLAMP	Worm Gear
26	86625263	2	WASHER 9mm ID x 20mm OD x 1.6mm Thk, CST, ZND	
27	43128	2	BOLT Hex, M8 x 1.25 x 30mm, Cl 8.8, Full Thd	
28	86639083	2	BHD LOCK NUT 13/16"-16 ORFS, Bulkhead	

STEERING, CKT



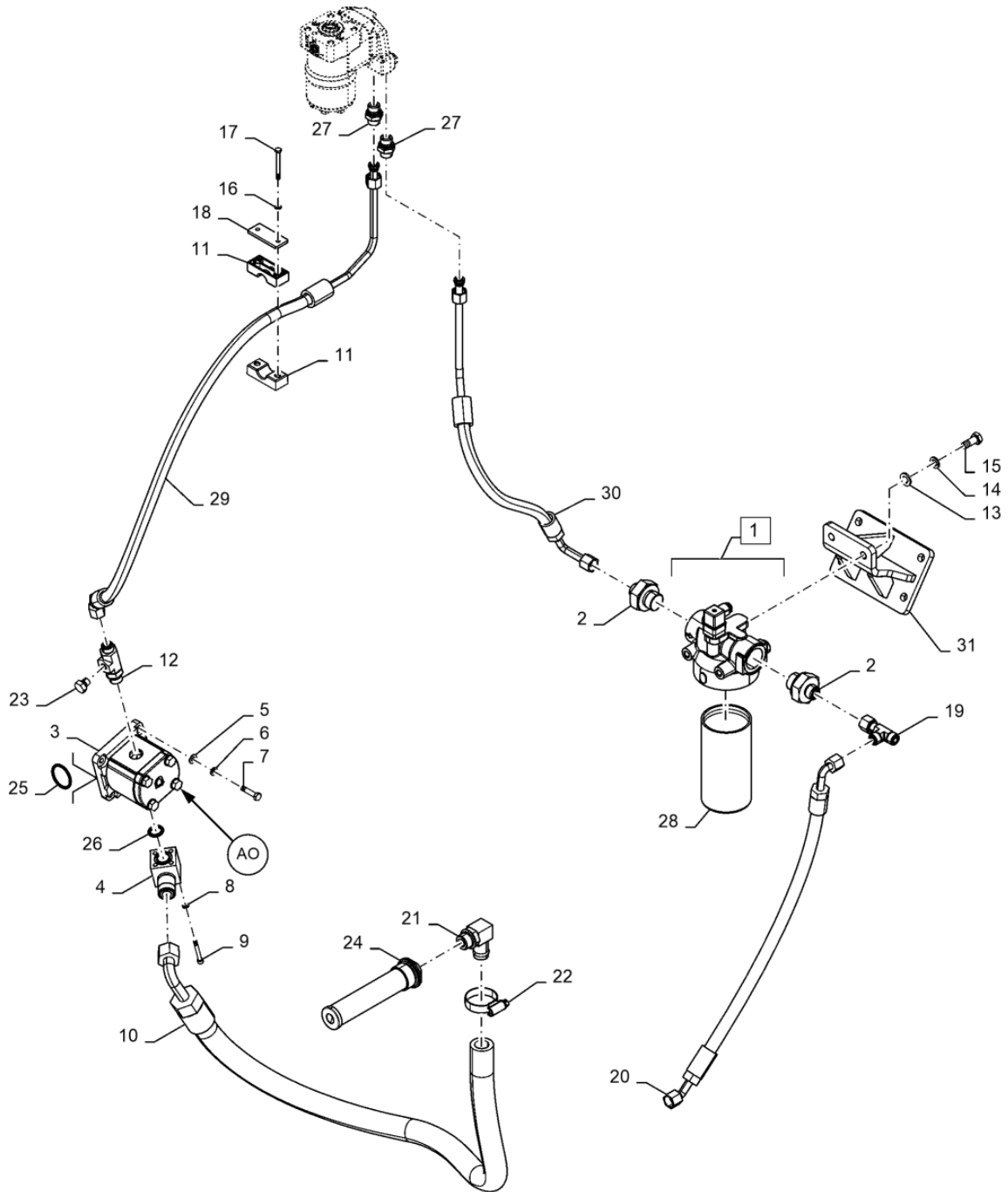
**41.200.AO [01]**

p2

**STEERING, CKT**

REF	PN	QTY	DESCRIPTION	USAGE
29	86625253	2	WASHER 11mm ID x 24mm OD x 2mm Thk, CST, ZND	
30	V002201/01030	8	WASHER	
31	V002445/30760	4	CLEVIS PIN	
32	47949692	4	COTTER PIN	
33	47601648	2	SUPPORT	Bucket Cylinder Tube
34	92193988	1	HOSE	Assy, WA Hyd Port R
35	92193989	1	HOSE	Hose Assy, Wa Hyd Port L
36	92230501	1	HOSE	Assy
37	92230500	1	HOSE	Assy

STEERING, CKT



**41.200.AO [02]**

p1

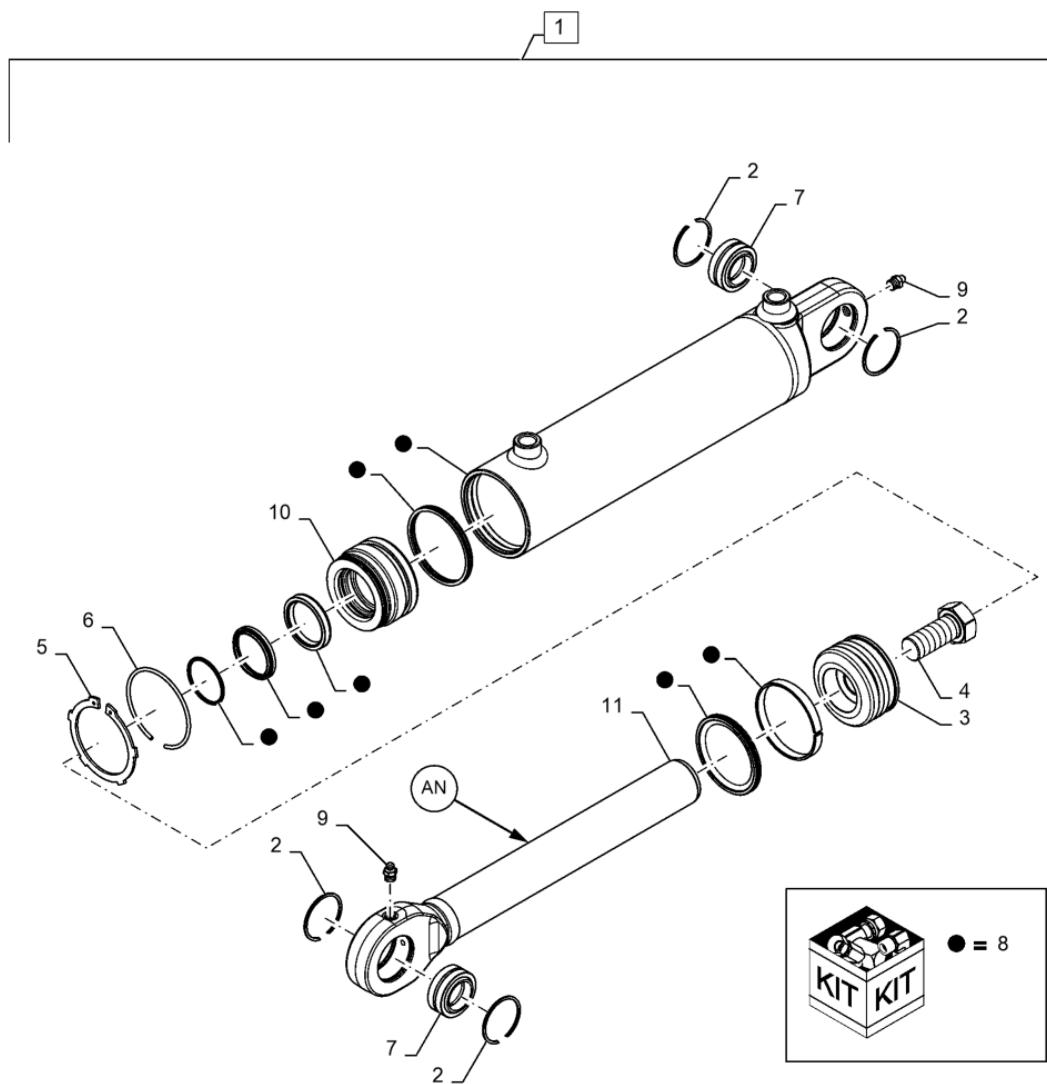
**STEERING, CKT**

REF	PN	QTY	DESCRIPTION	USAGE
1	V204010/60155	1	FILTER ASSY	Hydraulic, Incl 28
2	47859537	2	HYD CONNECTOR	
3	51539230	1	PUMP	Steering
4	BU3700008	1	HYD CONNECTOR	Suction Connector-Stg Pump
5	14496521	4	WASHER 8.4mm ID x 17mm OD x 1.6mm Thk	
6	892-11008	4	LOCK WASHER 8mm ID	
7	412479	4	BOLT Hex, M8 x 1.25 x 35mm, Cl 8.8	
8	892-11006	4	LOCK WASHER M6	
9	47940518	4	HEX SOC SCREW Hex Socket, M6 x 1.0 x 50mm L, CL 12.9	
10	92049032	1	HOSE	Hyd, Suction
11	92040972	2	CLAMP	Hose
12	92063923	1	TEE	
13	86625255	6	WASHER 13.3mm ID x 24.5mm OD x 3mm Thk, HTS, ZND	
14	892-11012	6	LOCK WASHER M12	
15	43260	6	BOLT Hex, M12 x 1.75 x 30mm, Cl 10.9, Full Thd	
16	895-11006	2	WASHER 6.6mm ID x 12mm OD x 1.6mm Thk	
17	338413	2	BOLT Hex, M6 x 1 x 60mm, Cl 8.8	
18	92159301	1	PLATE	Support
19	86514261	1	TEE 13/16" - 16 ORFS x 13/16" - 16 ORFS x 13/16" - 16 ORFS	Union Swivel Run Orfs 12Mm
20	92059922	1	HOSE	Assy
21	91884212	1	HOSE FITTING	90Elb 1 To 1-1/16-12 Orb
22	BU3690008	1	CLAMP	Hose, (Klipco 35A)
23	47558945	1	PLUG	
24	92040385	1	FILTER STRAINER	Hydraulic Suction
25	51642252	1	SEAL	Kit
26	BU3040017	1	O-RING	
27	BU0390221	2	HYD CONNECTOR	Steering Unit
28	V204010/60156	1	ELEMENT	Filter
29	92040965	1	HOSE	Hyd Port P
30	92188371	1	TUBE	Hyd, Hyd Port T
31	92096470	1	BRACKET	

41.216.AN [01]

p1

CYLINDER, STEERING



# 41.216.AN [01]

p1

## CYLINDER, STEERING

REF	PN	QTY	DESCRIPTION	USAGE
1	92223959	1	STEERING CYLINDER	De80/45_290 , Incl 2 - 11
2	47696572	4	RING	Retaining
3	47696555	1	PISTON	
4	47696567	1	BOLT	
5	47912478	1	RING	Retaining
6	47626290	1	RING	Retaining
7	47684611	2	JOINT	Spherical
8	47696582	1	SEAL KIT	
9	47696580	4	NIPPLE	Grease, M10X1
10	92228434	1	ROD	
11	92228435	1	GLAND	

---

## SECTION INDEX

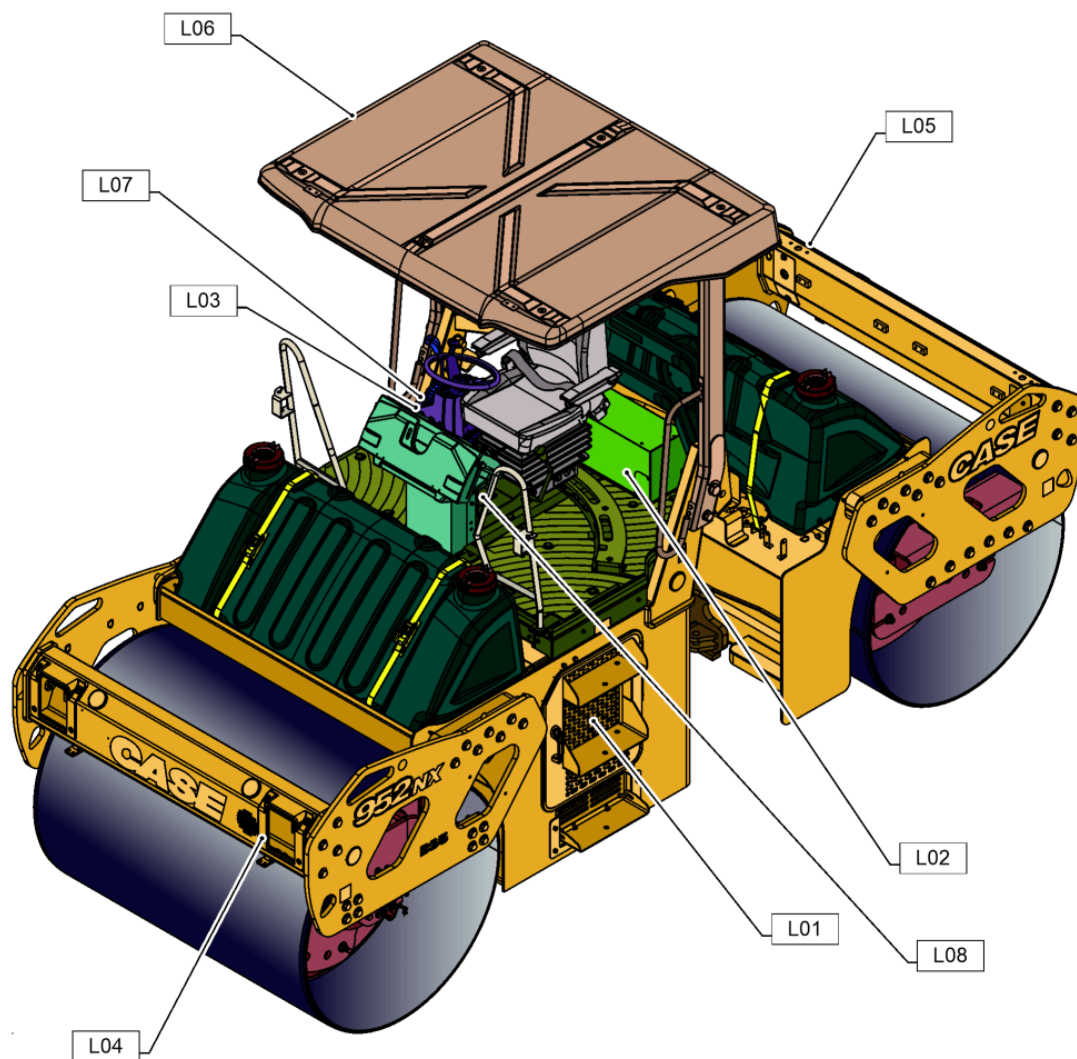
### ELECTRICAL SYSTEMS

---

55.000.00 [01]	SECTION INDEX - ELECTRICAL SYSTEMS
55.015.AA [01]	ELECTRONIC CONTROL UNIT, (ECU)
55.015.AB [01]	ELECTRICAL, ENGINE, HARNESS
55.015.AB [02]	WIRING HARNESS
55.050.BQ [01]	CONNECTION PIPE & SENSORS
55.100.AX [01]	HARNESS, FRONT, SINGLE
55.100.AX [02]	ELECTRICAL, FRONT CHASSIS
55.100.AX [03]	ELECTRICAL REAR, CHASSIS
55.202.AD [01]	HEATER, PLUG, CABLE, HEATER PLUG & CABLE
55.202.AY [01]	THERMOSTART, VALVE, BODY
55.302.AK [01]	BATTERY, MOUNTING, ASSY
55.404.BS [03]	HARNESS, WORK LAMP, FRONT-SIDE-REAR
55.404.BS [04]	HARNESS AND WORK LAMP, REAR
55.510.BQ [01]	ELECTRICAL,FRONT CONSOLE
55.510.BQ [02]	ELECTRICAL, FRONT CONSOLE
55.991.AA [01]	VAR - 786819, T5 TELEMATICS AMEA



SECTION INDEX - ELECTRICAL SYSTEMS



**55.000.00 [01]**

p1

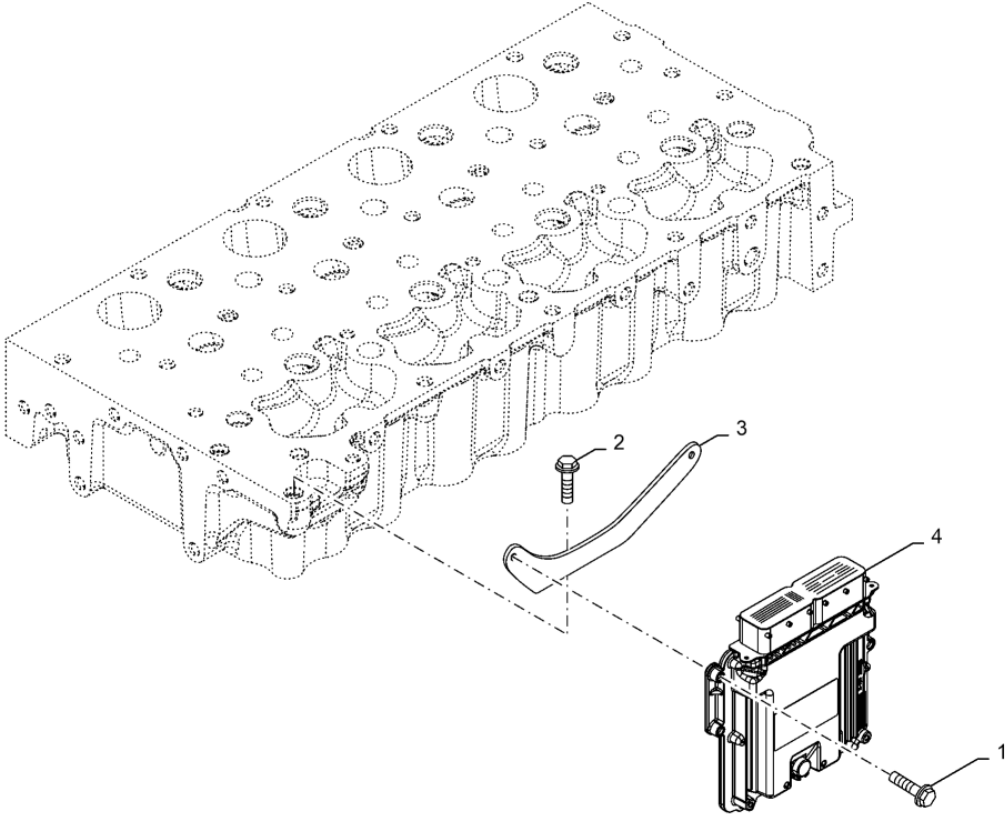
**SECTION INDEX - ELECTRICAL SYSTEMS**

<b>REF</b>	<b>FIGURE NUMBER</b>	<b>FIGURE NAME</b>
L01	55.015.AA[01]	ELECTRONIC CONTROL UNIT, (ECU)
L01	55.015.AB[01]	ELECTRICAL, ENGINE, HARNESS
L01	55.015.AB[02]	WIRING HARNESS
L01	55.050.BQ[01]	CONNECTION PIPE & SENSORS
L01	55.202.AD[01]	HEATER, PLUG, CABLE, HEATER PLUG & CABLE
L01	55.202.AY[01]	THERMOSTART, VALVE, BODY
L02	55.302.AK[01]	BATTERY, MOUNTING, ASSY
L03	55.100.AX[01]	HARNESS, FRONT, SINGLE
L04	55.100.AX[02]	ELECTRICAL, FRONT CHASSIS
L05	55.100.AX[03]	ELECTRICAL REAR, CHASSIS
L06	55.404.BS[03]	HARNESS, WORK LAMP, FRONT-SIDE-REAR
L06	55.404.BS[04]	HARNESS AND WORK LAMP, REAR
L07	55.510.BQ[01]	ELECTRICAL,FRONT CONSOLE
L07	55.510.BQ[02]	ELECTRICAL, FRONT CONSOLE
L08	55.991.AA[01]	VAR - 786819, T5 TELEMATICS AMEA

55.015.AA [01]

p1

ELECTRONIC CONTROL UNIT, (ECU)



**55.015.AA [01]**

p1

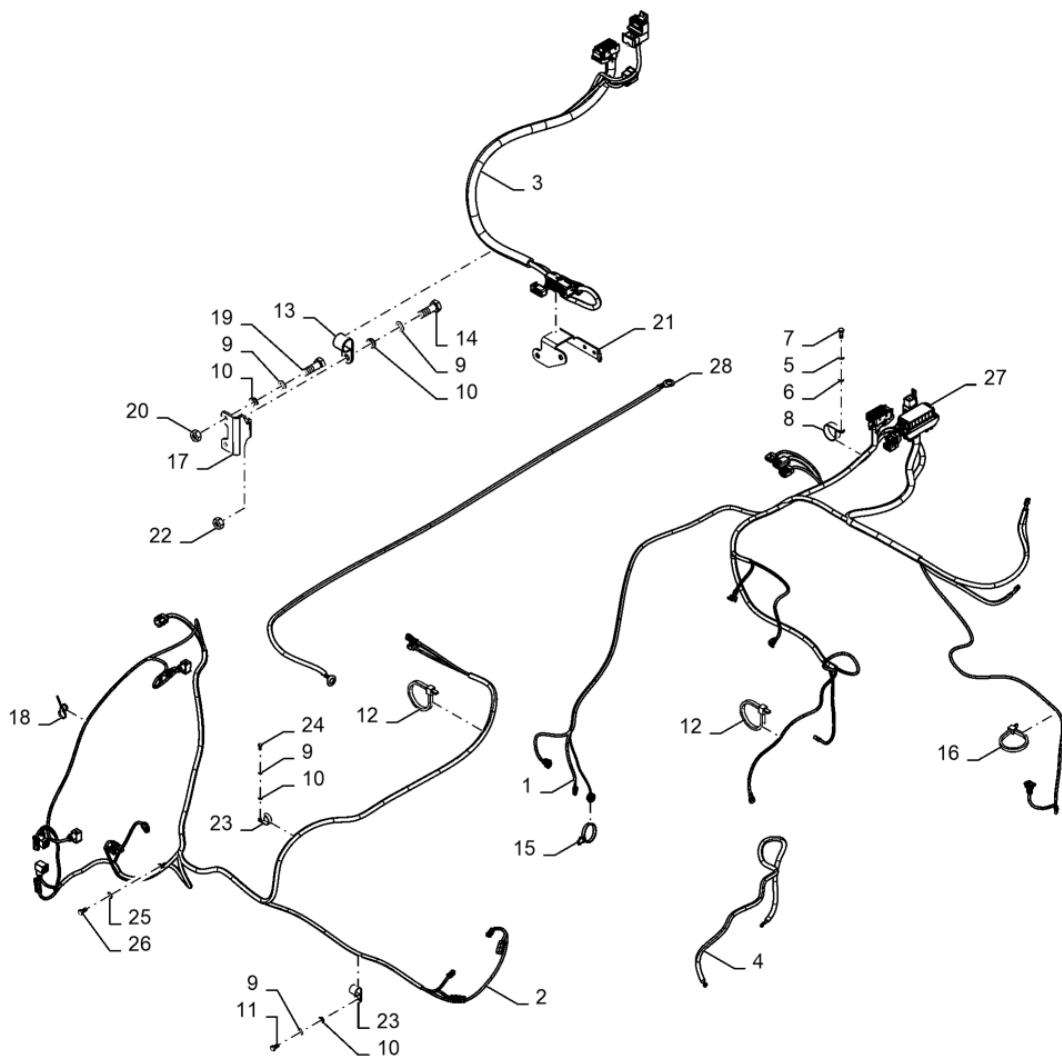
**ELECTRONIC CONTROL UNIT, (ECU)**

REF	PN	QTY	DESCRIPTION	USAGE
1	16597225	2	BOLT M6 x 18mm	
2	16673635	1	FLANGE BOLT Hex, M8 x 1.25 x 20mm, Full Thd	
3	5801409546	1	RETAINER	
4	5802245368	1	ECU	

55.015.AB [01]

p1

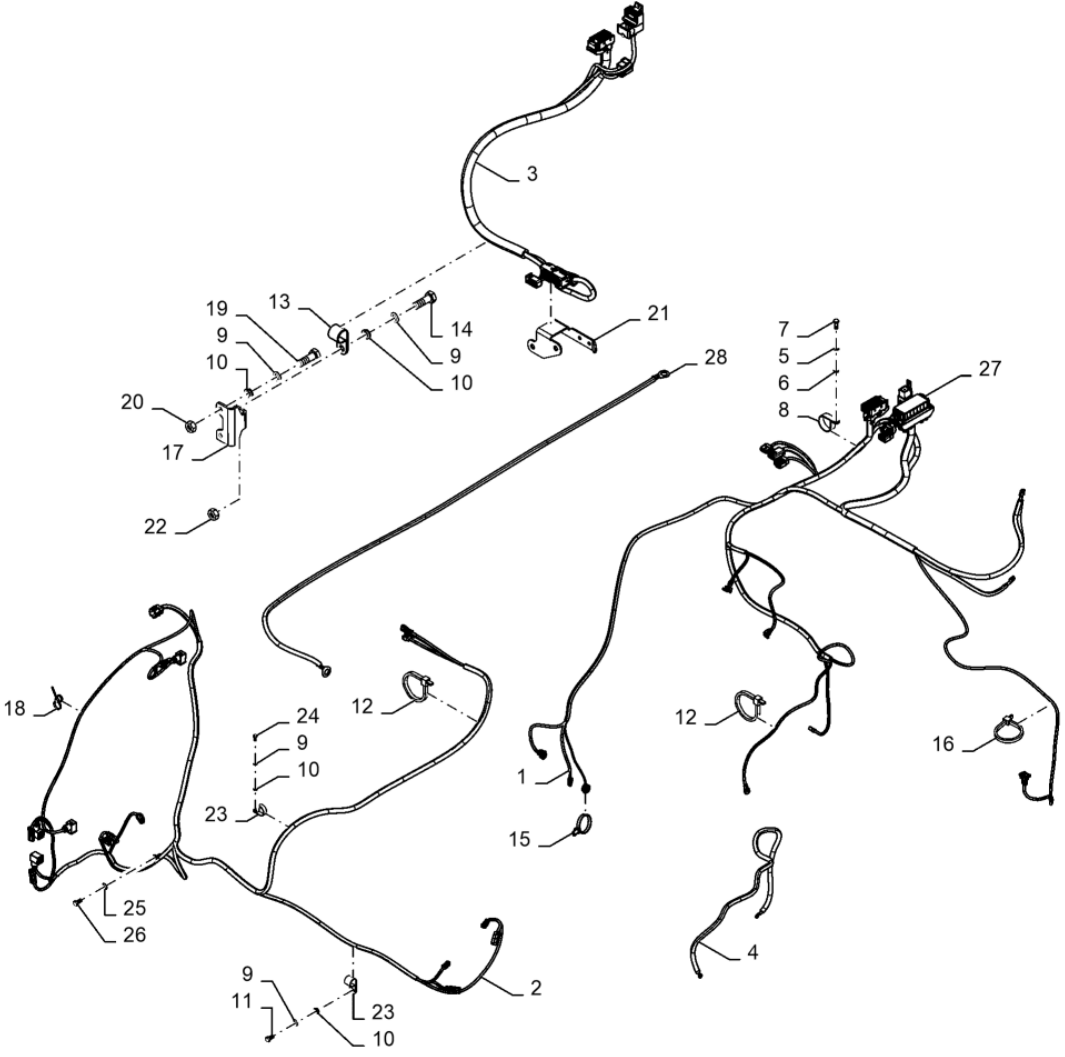
ELECTRICAL, ENGINE, HARNESS



## ELECTRICAL, ENGINE, HARNESS

REF	PN	QTY	DESCRIPTION	USAGE
1	92662143	1	WIRE HARNESS	Engine ECU
2	91893890	1	WIRE HARNESS	Engine Hyd.
3	91893893	1	WIRE HARNESS	Engine Interface, Use before m/c cut-off date 26-Dec-2024
3	92662384	1	WIRE HARNESS	Engine Interface, Use after m/c cut-off date 26-Dec-2024
4	91893900	1	WIRE HARNESS	Alternator Charging
5	14496521	14	WASHER 8.4mm ID x 17mm OD x 1.6mm Thk	8.4X17X1.6 R 80 Znd
6	892-11008	14	LOCK WASHER 8mm ID	Lock, 8.3X14.8 Znd
7	43127	1	BOLT Hex, M8 x 1.25 x 25mm, CI 8.8, Full Thd	M8X25 Full 8.8 Znd
8	86637977	7	CLAMP 25.4mm, Coat, 8.7mm Bolt Hole, P Type	Closed 25.4Mm Insul 5/16 Bolt
9	895-11006	10	WASHER 6.6mm ID x 12mm OD x 1.6mm Thk	
10	892-11006	10	LOCK WASHER M6	6.3X11.8 Znd
11	120100	4	BOLT Hex, M6 x 1 x 20mm, CI 8.8, Full Thd	M6X20 Full 8.8 Znd
12	L18331	25	CABLE TIE 375.9mm L, Nylon, Black	
13	86639002	1	CLAMP 34.9mm, Coat, 11.9mm Bolt Hole, P Type	Closed 34.9Mm Insul 7/16 Bolt
14	120104	13	BOLT Hex, M8 x 1.25 x 20mm, CI 8.8, Full Thd	M8X20 Full 8.8 Znd
15	P20051901U	2	CLAMP	Clip
16	87668737	5	CABLE TIE 203.2mm L, Nylon, Black	8X.18 In, Nylon, Black
17	92066251	1	BRACKET	Interface Harness
18	82013031	9	CABLE TIE 193mm L	Double-Loop 193/210Mm
19	86977786	4	BOLT Hex, M6 x 1 x 25mm, CI 8.8	M6X25 Full 8.8 Znd
20	15896211	2	NUT Hex, M6 x 1, CI 8, ZND	M6 8 Znd
21	92045716	1	BRACKET	Pltd, Engine Interface Harness
22	9706690	1	NUT Hex, M8 x 1.25, CI 8, ZND	M8 8 Znd
23	87301688	3	CLAMP 41.2mm, Coat, P Type	Closed 41.2Mm Insul 7/16 Bolt
24	10902221	2	BOLT Hex, M6 x 16mm, CL 8.8	
25	895-11010	1	WASHER 11mm ID x 20mm OD x 2mm Thk	
26	43138	1	BOLT Hex, M10 x 1.5 x 20mm, CI 8.8, Full Thd	M10X20 Full 8.8 Znd

ELECTRICAL, ENGINE, HARNESS



**55.015.AB [01]**

p2

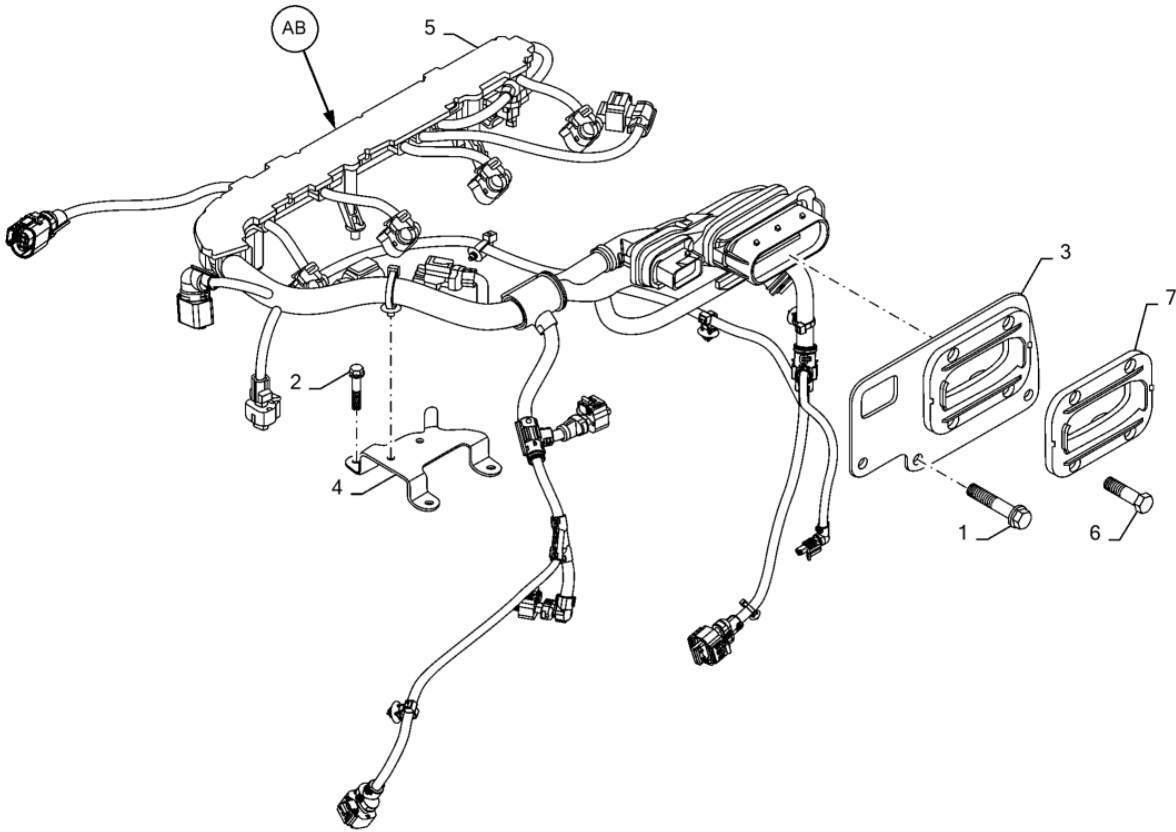
**ELECTRICAL, ENGINE, HARNESS**

REF	PN	QTY	DESCRIPTION	USAGE
27	92215825	1	ECU GLOW PLUG	
28	V204029/20352	1	CABLE	Ground Cable

55.015.AB [02]

p1

WIRING HARNESS



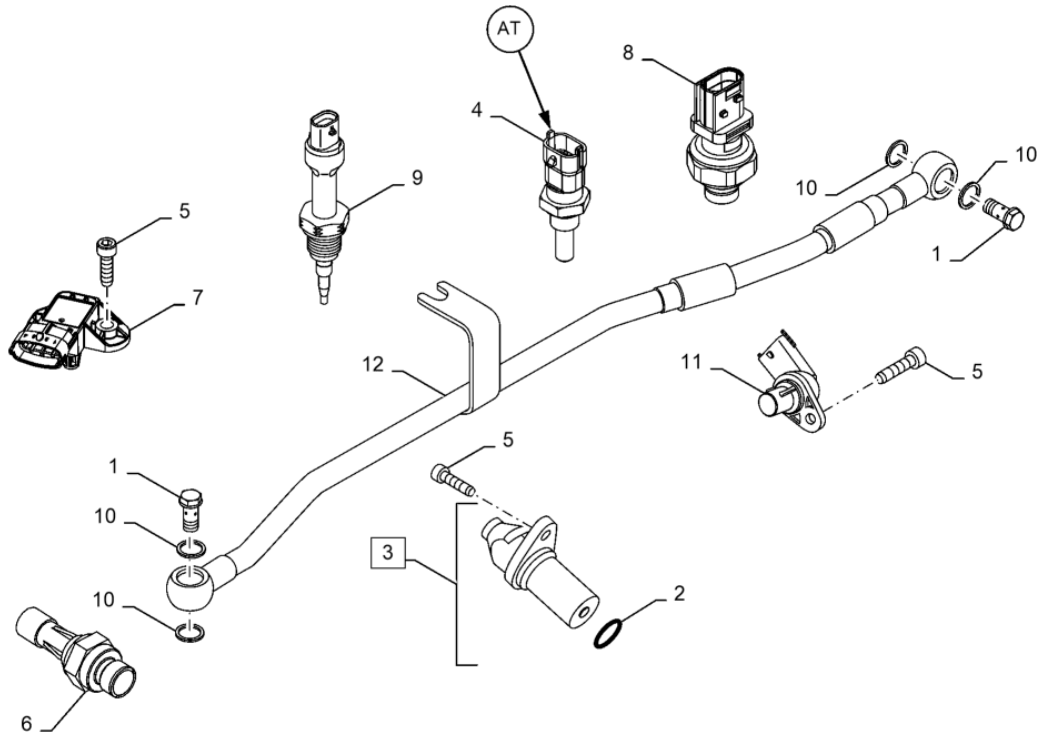
**55.015.AB [02]**

p1

**WIRING HARNESS**

REF	PN	QTY	DESCRIPTION	USAGE
1	16673635	3	FLANGE BOLT Hex, M8 x 1.25 x 20mm, Full Thd	Parafuso
2	16978124	3	BOLT Hex, M6 x 14mm	
3	5803186202	1	BRACKET	
4	5802885198	1	BRACKET	
5	5803306105	1	CABLE	
6	16697124	1	HEX SOC SCREW	
7	5802885195	1	WIRE HARNESS	Bracket Adaptor

CONNECTION PIPE & SENSORS



**55.050.BQ [01]**

p1

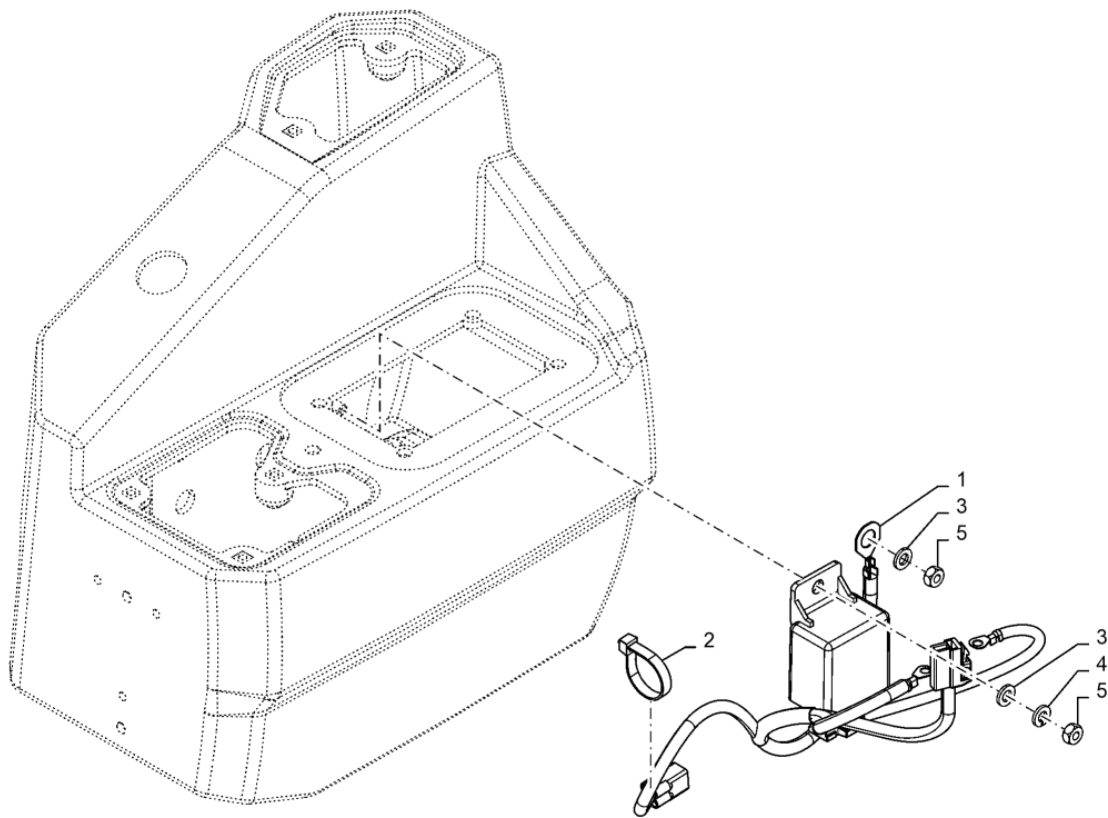
**CONNECTION PIPE & SENSORS**

REF	PN	QTY	DESCRIPTION	USAGE
1	16511214	2	HYD CONNECTOR M12 x 1.5 x 24mm L, R50, ZND	SCREW
1	5803000764	2	UNION	
2	17278481	1	O-RING 17.17mm ID x 1.78mm Thk, FKM	
3	4897242	1	SENSOR SPEED	Speed
4	500382599	1	SENSOR WATER/FUEL/OIL TEMPERATURE SENSOR	Coolaint Water Temp
5	504065023	3	SCREW M6 x 16mm, CI 8.8	
6	504084983	1	PRESSURE SWITCH	Vitron Valve
7	504369148	1	SENSOR	Pressure Switch
8	5801382522	1	SENSOR Pressure sensor F.S. 550 kPa	Pressure F.S. 550 Kpa
9	5801464247	1	SENSOR	
10	5801495064	4	SEAL	
11	5801600537	1	SENSOR camshaft sensor	Camshaft Speed
12	5802886203	1	PIPE	Connection
12	5803359366	1	PIPE	Connection

55.100.AX [01]

p1

HARNESS, FRONT, SINGLE



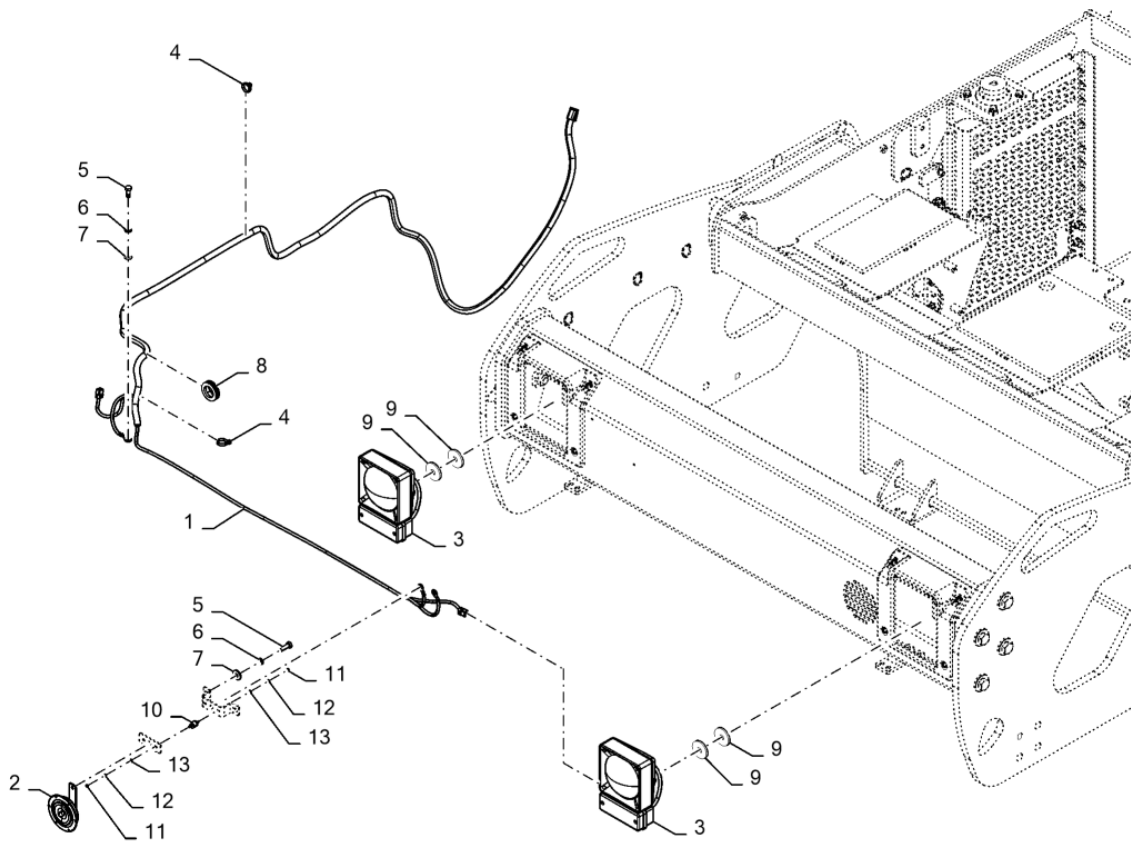
# 55.100.AX [01]

p1

## HARNESS, FRONT, SINGLE

REF	PN	QTY	DESCRIPTION	USAGE
1	92045458	1	WIRE HARNESS	Fnr Lever
2	L18331	1	CABLE TIE 375.9mm L, Nylon, Black	
3	895-11006	2	WASHER 6.6mm ID x 12mm OD x 1.6mm Thk	
4	892-11006	1	LOCK WASHER M6	6.3X11.8 Znd
5	15896211	2	NUT Hex, M6 x 1, CI 8, ZND	M6 8 Znd

ELECTRICAL, FRONT CHASSIS



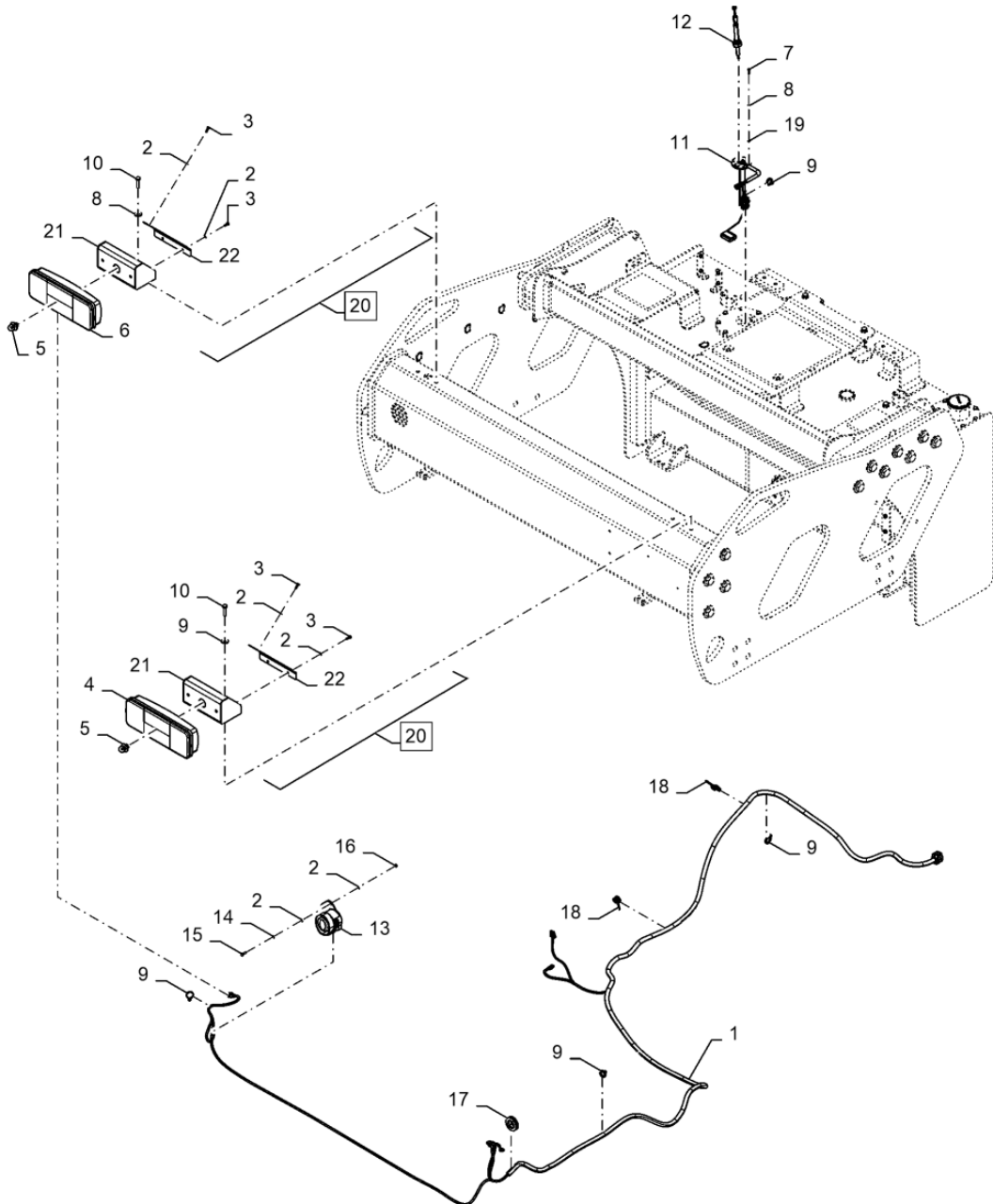
**55.100.AX [02]**

p1

**ELECTRICAL, FRONT CHASSIS**

REF	PN	QTY	DESCRIPTION	USAGE
1	91893888	1	WIRE HARNESS	Front Side
2	BU4050005	1	HORN	
3	47699327	2	HEADLAMP	12V
4	L18331	11	CABLE TIE 375.9mm L, Nylon, Black	
5	43140	2	BOLT Hex, M10 x 1.5 x 30mm, CI 8.8, Full Thd	
6	892-11010	2	LOCK WASHER M10	10.4X18.1 Znd
7	895-11010	2	WASHER 11mm ID x 20mm OD x 2mm Thk	
8	BU4130054	1	GROMMET	Cab, Tb80
9	92674695	4	PAD	Rubber
10	85802478	2	ISOLATOR	
11	825-1404	4	NUT M4, CI 8	
12	892-11004	4	LOCK WASHER M4	
13	895-11004	4	WASHER 4.3mm ID x 9mm OD x 0.8mm Thk	

ELECTRICAL REAR, CHASSIS



**55.100.AX [03]**

p1

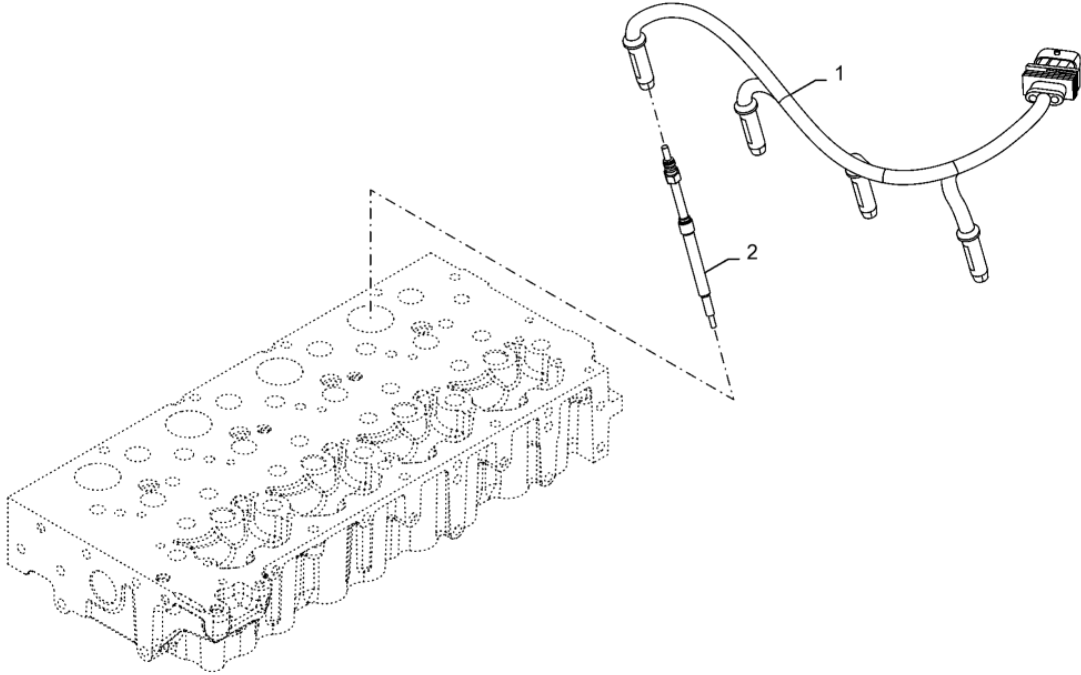
**ELECTRICAL REAR, CHASSIS**

REF	PN	QTY	DESCRIPTION	USAGE
1	91893906	1	WIRE HARNESS	Rear Side
2	895-11006	10	WASHER 6.6mm ID x 12mm OD x 1.6mm Thk	
3	10902321	6	SCREW Hex, M6 x 1 x 18mm, CI 8.8, Full Thd	Bolt, M6X18 Full 8.8 Znd
4	BU4050048	1	WORK LAMP TAIL LIGHT RH	Tail Right-Left
5	BU4050010	2	BULB	12V-21W Holder Type
6	BU4050049	1	WORK LAMP TAIL LIGHT LH	Tail -Right-Left
7	120098	6	BOLT Hex, M5 x 0.8 x 20mm, CI 8.8, Full Thd	M5X20 Full 8.8 Znd
8	892-11005	6	LOCK WASHER M5	Lock, 5.2X9.2 Znd
9	L18331	15	CABLE TIE 375.9mm L, Nylon, Black	
10	120112	4	BOLT Hex, M10 x 1.5 x 40mm, CI 8.8, Full Thd	M10X40 Full 8.8 Znd
11	47799678	1	SENSOR	Fuel Level
12	51492236	1	SENSOR	Water Level
13	87470931	1	BACKUP ALARM	107Db - 12-36V
14	892-11006	2	LOCK WASHER M6	6.3X11.8 Znd
15	120100	2	BOLT Hex, M6 x 1 x 20mm, CI 8.8, Full Thd	M6X20 Full 8.8 Znd
16	P00234513F	2	NUT	
17	BU4130054	1	GROMMET	Cabin
18	82013031	3	CABLE TIE 193mm L	Double-Loop 193-210Mm
19	895-11005	6	WASHER 5.5mm ID x 10mm OD x 1mm Thk	
20	92069474	2	BRACKET	Incl 21,22
21	92065619	2	BRACKET	Wa, Pwrtan Tail Lamp Mtg
22	92065623	2	PLATE	Pwrtan, Cover Tail Lamp Mt

55.202.AD [01]

p1

HEATER, PLUG, CABLE, HEATER PLUG & CABLE



**55.202.AD [01]**

p1

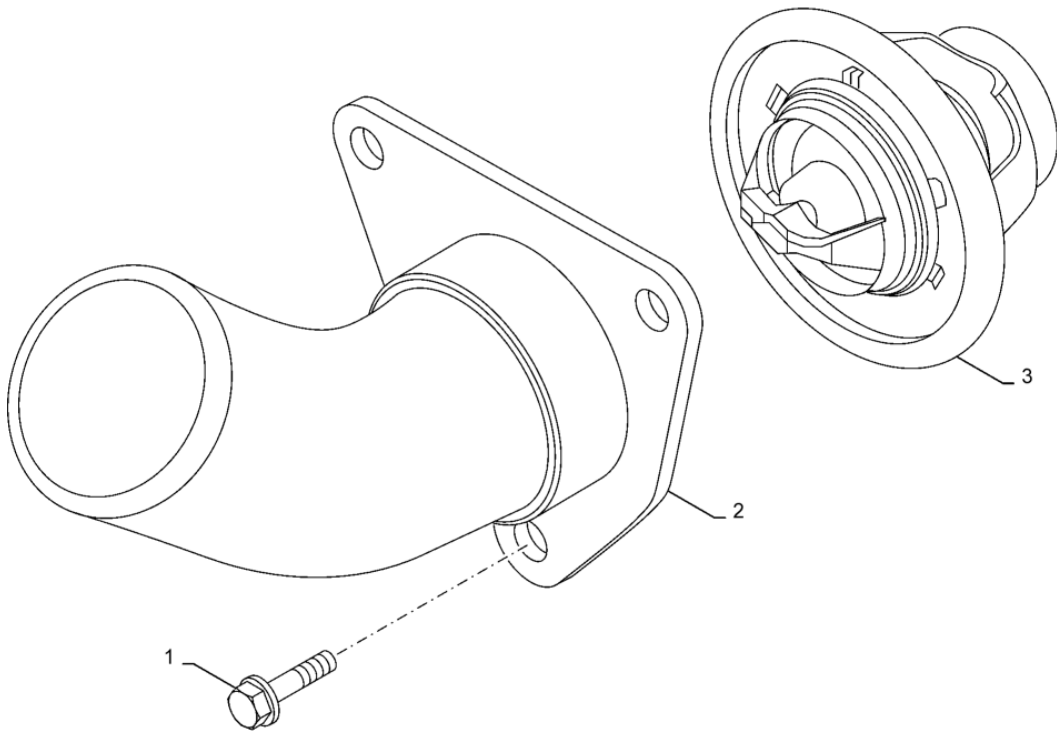
**HEATER, PLUG, CABLE, HEATER PLUG & CABLE**

<b>REF</b>	<b>PN</b>	<b>QTY</b>	<b>DESCRIPTION</b>	<b>USAGE</b>
1	5802886283	1	ELECTRIC CABLE	
1	5803321697	1	ELECTRIC CABLE	
2	5802953247	4	GLOW PLUG	

**55.202.AY [01]**

p1

**THERMOSTART, VALVE, BODY**



**55.202.AY [01]**

p1

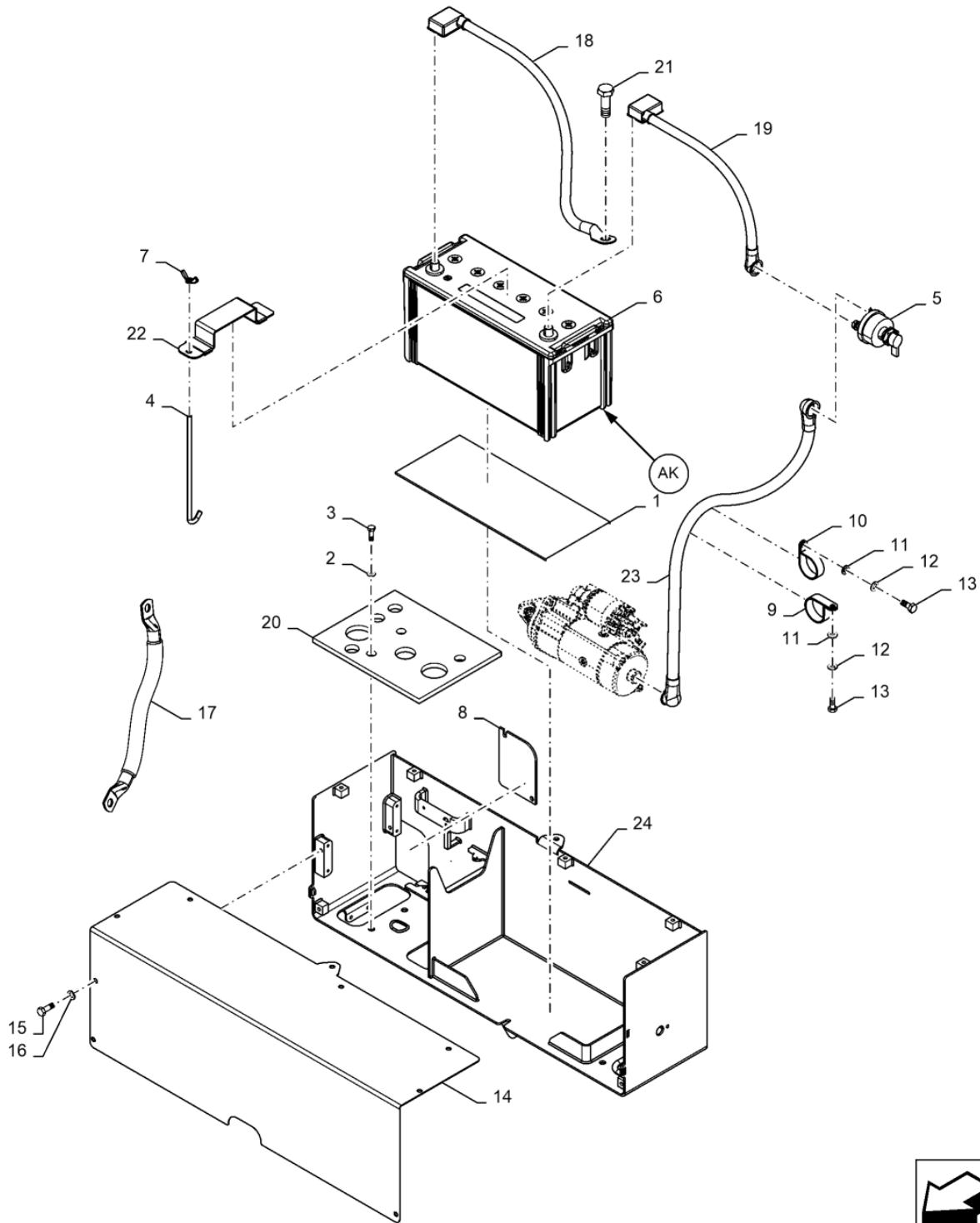
**THERMOSTART, VALVE, BODY**

REF	PN	QTY	DESCRIPTION	USAGE
1	16585625	3	SCREW Hex, M6 x 12mm	
1	16585624	3	SCREW Hex, M6 x 12mm, Cl 8.8	
2	5803312620	1	COVER	
3	5802886134	1	THERMOSTAT	

55.302.AK [01]

p1

BATTERY, MOUNTING, ASSY



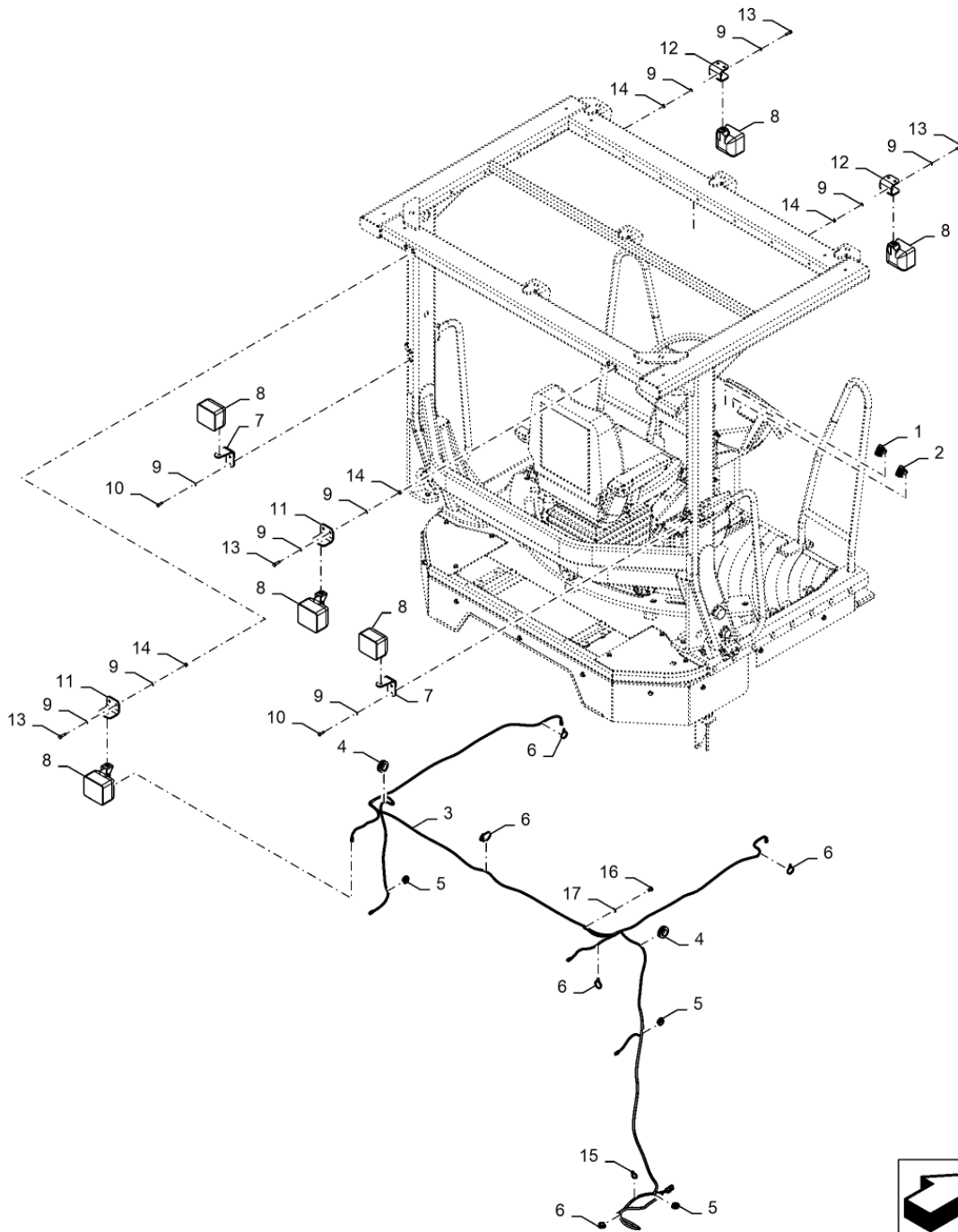
## BATTERY, MOUNTING, ASSY

REF	PN	QTY	DESCRIPTION	USAGE
1	V207010/60157	1	PAD	
2	895-11010	5	WASHER 11mm ID x 20mm OD x 2mm Thk	
3	43139	4	BOLT M10 x 1.5, 25mm L Cl8.8 Full Thread	
4	92067206	1	U-BOLT	J, Battery Mtg
5	87409316	1	ROTARY SWITCH Master Cut-off	Master Disconnect
6	87381171	1	BATTERY E41, 12V, 110Ah, 880 CCA, 234mm H, 410mm L, 176mm W	
7	BU3440003	1	NUT	Wing
8	92068565	1	PLATE	Cegra, Cover, Ecu Conn.
9	86639002	1	CLAMP 34.9mm, Coat, 11.9mm Bolt Hole, P Type	Bolt
10	86637977	1	CLAMP 25.4mm, Coat, 8.7mm Bolt Hole, P Type	Bolt
11	895-11008	2	WASHER 9mm ID x 16mm OD x 1.6mm Thk	
12	892-11008	2	LOCK WASHER 8mm ID	
13	120104	2	BOLT Hex, M8 x 1.25 x 20mm, Cl 8.8, Full Thd	
14	92063976	1	COVER	Cegra, Battery Box
15	120103	10	BOLT M8 x 1.25 x 16mm, Cl 8.8	
16	11193879	10	WASHER M8 Bolt Size x 16mm OD x 1.4mm Thk	
17	P11047299J	1	CABLE	Sm To Er
18	47887820	1	POS BATTERY CABLE Negative, Black, 1000mm L	Neg
19	47653512	1	POS BATTERY CABLE	Pos
20	92194712	1	PAD	Rubber
21	43138	1	BOLT Hex, M10 x 1.5 x 20mm, Cl 8.8, Full Thd	
22	92063979	1	PLATE	Mounting, Rubberised
23	91893936	1	CABLE	Battery - Pos, Starter To Cut-Off
24	92063983	1	BATTERY BOX	CEGRA

55.404.BS [03]

p1

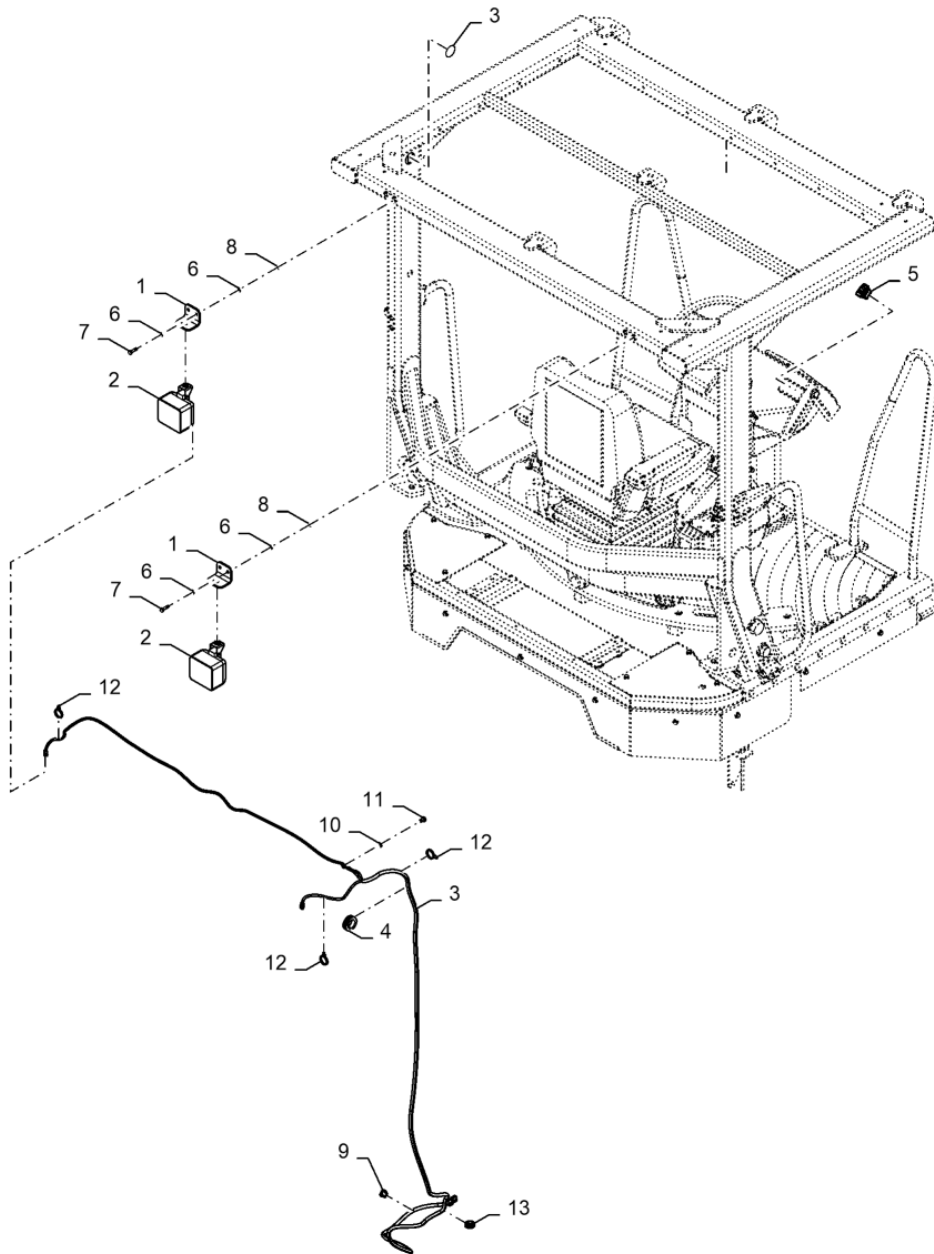
HARNESS, WORK LAMP, FRONT-SIDE-REAR



## HARNESS, WORK LAMP, FRONT-SIDE-REAR

REF	PN	QTY	DESCRIPTION	USAGE
1	47719592	1	ROCKER SWITCH	Side Work Light
2	47721400	1	LIGHT SWITCH	Front Worklight
3	92194643	1	WIRE HARNESS	Canopy Front Rear
4	V204010/80051	2	GROMMET	45.2X34.6X5.1 Mm Pvc
5	BU4130072	3	PLASTIC PLUG	Grommet, 26X4 Mm Pvc
6	87567356	21	CABLE TIE 200mm L x 4.6mm W x 1.2mm Thk	
7	47854555	2	BRACKET	Work Lamp Side - Cegra
8	BU4050051	6	WORK LAMP	
9	895-11008	20	WASHER 9mm ID x 16mm OD x 1.6mm Thk	
10	43127	4	BOLT Hex, M8 x 1.25 x 25mm, Cl 8.8, Full Thd	M8X25 Full 8.8 Znd
11	92216113	2	BRACKET	Cegra, Work Lamp Rear
12	92216112	2	BRACKET	Cegra, Work Lamp Front
13	43128	8	BOLT Hex, M8 x 1.25 x 30mm, Cl 8.8, Full Thd	M8X30 Full 8.8 Znd
14	412250	8	LOCK NUT M8 x 1.25, Cl 8	Prev Torque, Non-Mtl M8 8 Znd
15	L18331	4	CABLE TIE 375.9mm L, Nylon, Black	
16	300383	1	BOLT Hex, M10 x 1.5 x 16mm, Cl 8.8, Full Thd	M10X16 Full 8.8 Znd
17	P00034611V	1	WASHER	

HARNESS AND WORK LAMP, REAR



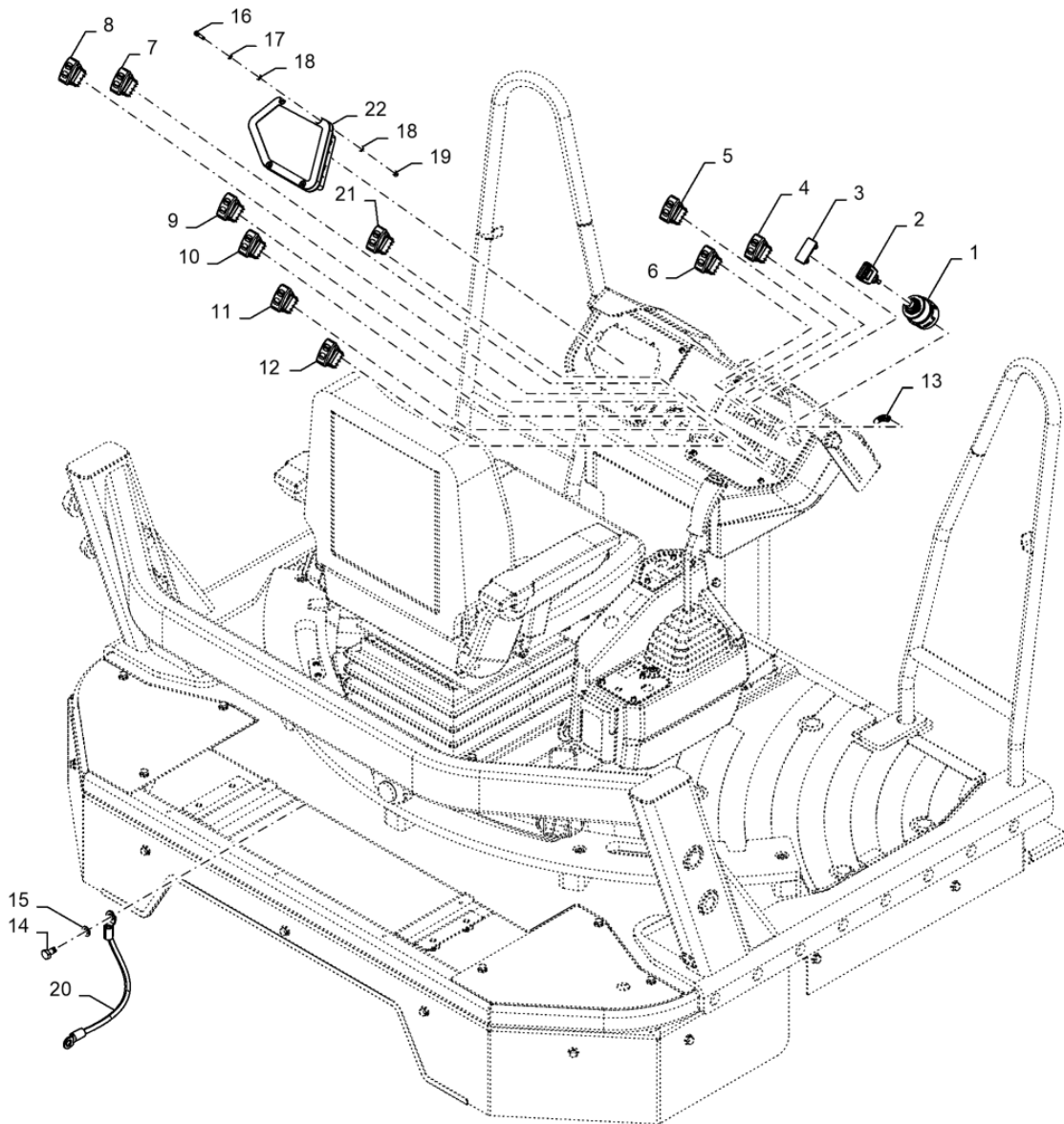
**55.404.BS [04]**

p1

**HARNESS AND WORK LAMP, REAR**

REF	PN	QTY	DESCRIPTION	USAGE
1	92216113	2	BRACKET	Cegra, Work Lamp Rear
2	BU4050051	2	WORK LAMP	
3	47838631	1	WIRE HARNESS	Canopy Rear
4	V204010/80051	1	GROMMET	45.2X34.6X5.1 Mm Pvc
5	47721404	1	ROCKER SWITCH	Rear Worklight
6	895-11008	8	WASHER 9mm ID x 16mm OD x 1.6mm Thk	
7	43128	4	BOLT Hex, M8 x 1.25 x 30mm, CI 8.8, Full Thd	M8X30 Full 8.8 Znd
8	412250	4	LOCK NUT M8 x 1.25, CI 8	Prev Torque, Non-Mtl M8 8 Znd
9	L18331	4	CABLE TIE 375.9mm L, Nylon, Black	
10	P00034611V	1	WASHER	
11	300383	1	BOLT Hex, M10 x 1.5 x 16mm, CI 8.8, Full Thd	M10X16 Full 8.8 Znd
12	87567356	10	CABLE TIE 200mm L x 4.6mm W x 1.2mm Thk	
13	BU4130072	1	PLASTIC PLUG	26X4 Mm Pvc
14	84357636	3	DECAL 53mm OD, Gray	Plug

ELECTRICAL,FRONT CONSOLE



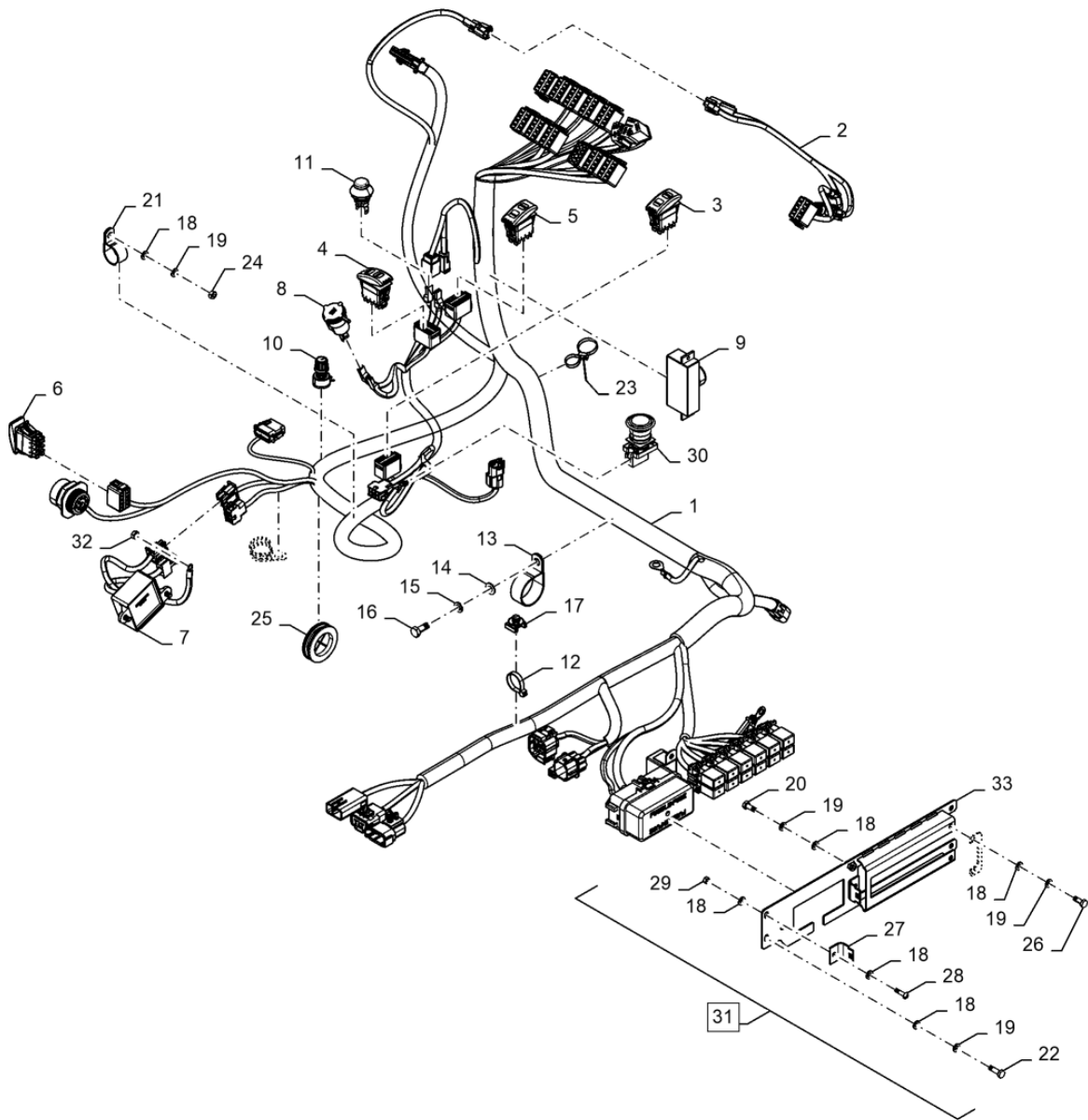
## ELECTRICAL,FRONT CONSOLE

REF	PN	QTY	DESCRIPTION	USAGE
1	48082291	1	IGNITION SWITCH	
2	48095184	1	IGNITION KEY	
3	47738258	1	PLATE	Mounting, Dummy
4	47721422	1	ROCKER SWITCH	Hazard
5	47726892	1	ROCKER SWITCH	Sprinkler
6	51573502	1	ROCKER SWITCH	Up-Down
7	47726901	1	ROCKER SWITCH	High Speed
8	91821915	1	ROCKER SWITCH	Dual Selection Throttle
9	51573504	1	ROCKER SWITCH	Park Secondary
10	47726904	1	ROCKER SWITCH	Drum Selection
11	47726905	1	ROCKER SWITCH	Frequency Selection
12	51573505	1	ROCKER SWITCH	Auto Idle
13	47531139	1	DECAL	Ignition
14	43138	2	BOLT Hex, M10 x 1.5 x 20mm, CI 8.8, Full Thd	
15	895-11010	2	WASHER 11mm ID x 20mm OD x 2mm Thk	
16	87016469	4	HEX SOC SCREW M5 x 25mm, CI 8.8	
17	892-11005	4	LOCK WASHER M5	5.2X9.2 Znd
18	895-11005	8	WASHER 5.5mm ID x 10mm OD x 1mm Thk	
19	86639241	4	LOCK NUT Prev Torque, M5 x 0.8, CI 8	Prev Torque, Non-Mtl M5 8 Znd
20	E62484	1	ELECTRIC CABLE	Ground
21	92147024	1	ROCKER SWITCH	Dpf Regen With Oil Reset
22	92063532	1	INSTRUMENT CLUSTER	Electronic T5A

55.510.BQ [02]

p1

ELECTRICAL, FRONT CONSOLE



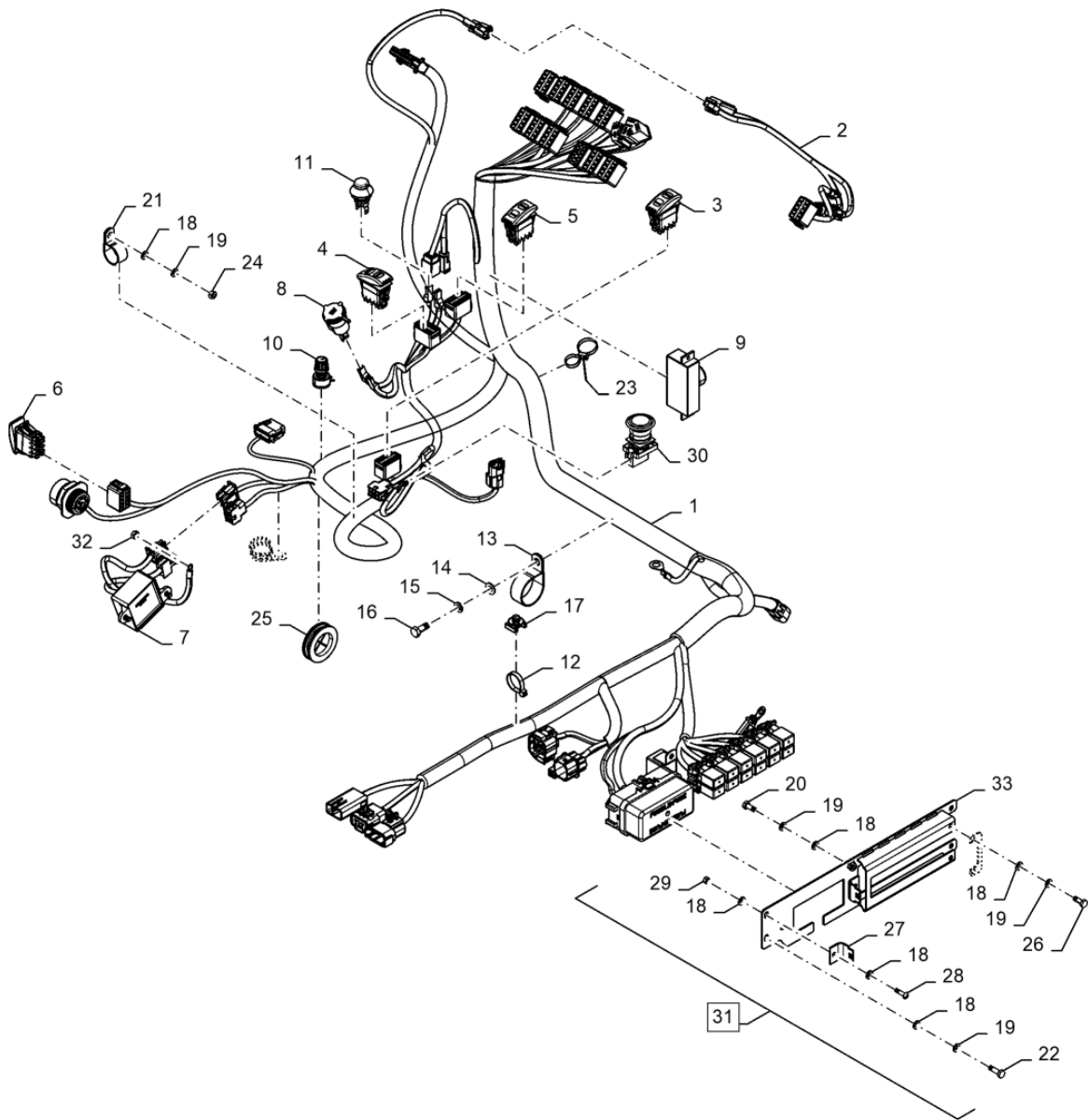
## ELECTRICAL, FRONT CONSOLE

REF	PN	QTY	DESCRIPTION	USAGE
1	92663122	1	WIRE HARNESS	Main Front
2	91882228	1	WIRE HARNESS	Hand Throttle
3	47726906	1	ROCKER SWITCH	Master Lamp
4	47726903	1	ROCKER SWITCH	Turn Indicator
5	47726863	1	ROCKER SWITCH	High/Low Beam
6	47726876	1	ROCKER SWITCH	Pcu Bypass
7	47818678	1	CONTROLLER	Pump
8	BU4100017	1	POWER SOCKET	12V-Mobile Charger
9	47434717	1	BUZZER	Alarm, Unit
10	V204010/20256	1	POTENTIOMETER	Wire Wound
11	82826807	1	SWITCH	Push Button, Horn
12	L18331	17	CABLE TIE 375.9mm L, Nylon, Black	
13	87301688	2	CLAMP 41.2mm, Coat, P Type	Closed 41.2Mm Insul 7/16 Bolt
14	14496521	3	WASHER 8.4mm ID x 17mm OD x 1.6mm Thk	8.4X17X1.6 R 80 Znd
15	892-11008	2	LOCK WASHER 8mm ID	8.3X14.8 Znd
16	120104	2	BOLT Hex, M8 x 1.25 x 20mm, CI 8.8, Full Thd	M8X20 Full 8.8 Znd
17	51636225	9	CLAMP	Christmas Tree, 9X21.6X10.1
18	895-11006	10	WASHER 6.6mm ID x 12mm OD x 1.6mm Thk	
19	892-11006	8	LOCK WASHER M6	6.3X11.8 Znd
20	86508568	1	BOLT Hex, M6 x 1 x 16mm, CI 8.8, Full Thd	M6X16 Full 8.8 Znd
21	86637977	1	CLAMP 25.4mm, Coat, 8.7mm Bolt Hole, P Type	Closed 25.4Mm Insul 5/16 Bolt
22	120100	4	BOLT Hex, M6 x 1 x 20mm, CI 8.8, Full Thd	M6X20 Full 8.8 Znd
23	82013031	1	CABLE TIE 193mm L	Double-Loop 193/210Mm
24	15896211	1	NUT Hex, M6 x 1, CI 8, ZND	
25	BU4130054	1	GROMMET	Cab, Tb80
26	16043321	1	BOLT Hex, M8 x 1.25 x 18mm, CI 8.8, Full Thd	
27	47947358	1	BRACKET	Relay Mtg,Cegra
28	840-3520	1	SCREW Sltd Pan Hd, M5 x 20	M 5
29	825-1405	1	NUT M5, CI 8	
30	V204029/60257	1	LIGHT SWITCH	Emergency Stop

55.510.BQ [02]

p2

ELECTRICAL, FRONT CONSOLE



**55.510.BQ [02]**

p2

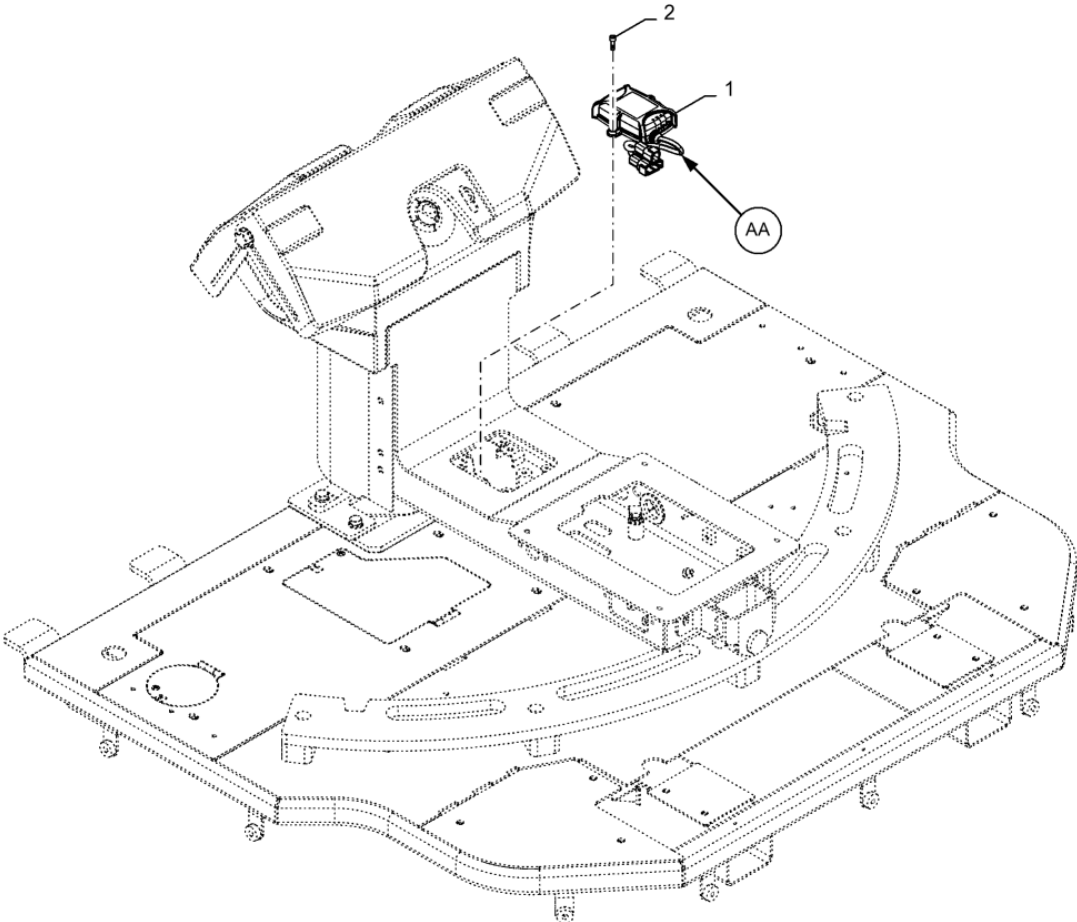
**ELECTRICAL, FRONT CONSOLE**

REF	PN	QTY	DESCRIPTION	USAGE
31	92171362	1	BRACKET	Incl 18-20,22,26-29
32	86512495	1	FLANGE NUT Hex, M5, Cl 8	
33	92171361	1	PLATE	Mounting Cegra, Relay And Fuse

55.991.AA [01]

p1

VAR - 786819, T5 TELEMATICS AMEA



**55.991.AA [01]**

p1

**VAR - 786819, T5 TELEMATICS AMEA**

REF	PN	QTY	DESCRIPTION	USAGE
1	91732846	1	ECU	Assy, Telematics Cm100 Eu-Amea Ce
2	14305374	2	HEX SOC SCREW M6 x 20mm, CI 12.9, Full Thd	

---

# SECTION INDEX

## ACCESSORIES

---

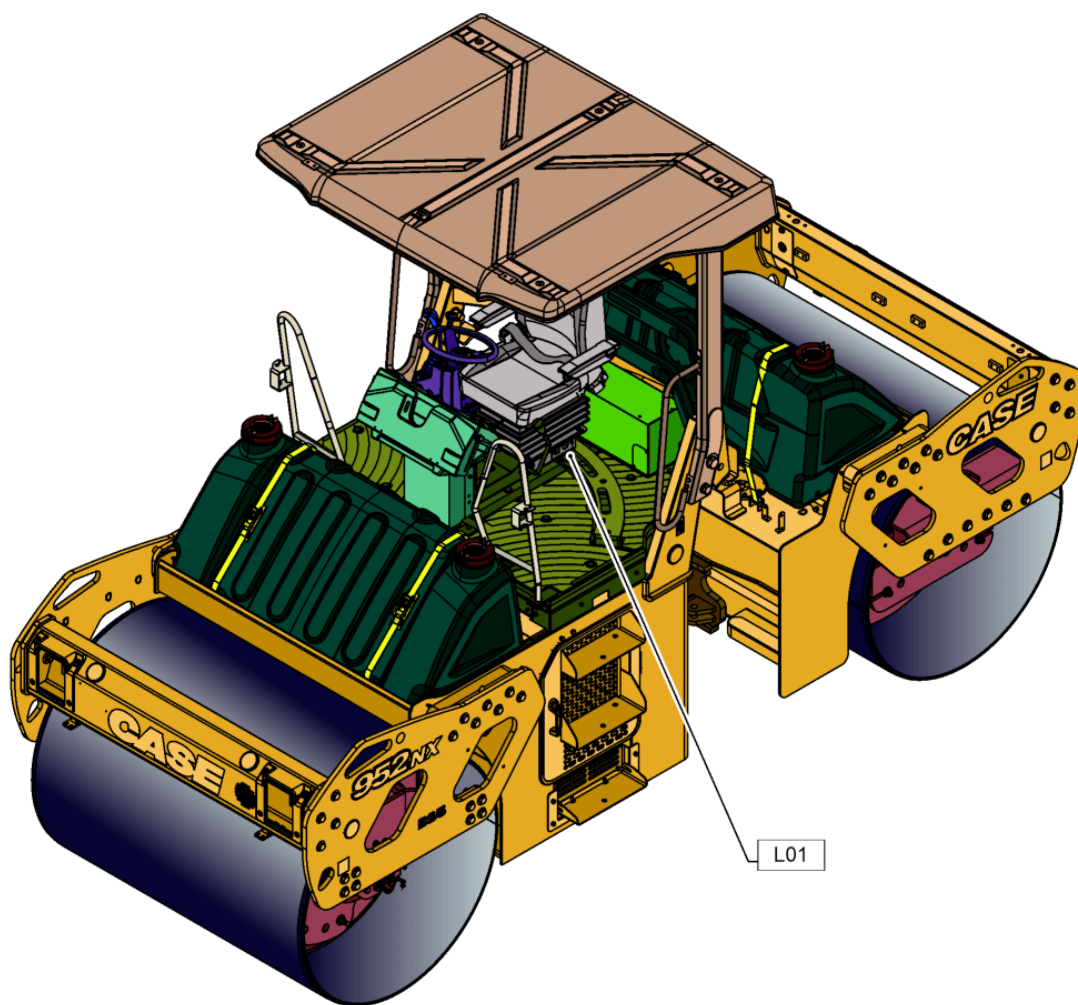
88.000.00 [01]	SECTION INDEX - ACCESSORIES
88.100.39 [01]	VAR - 463337, KIT, FOC - 952NX
88.100.AH [01]	TOOLS



88.000.00 [01]

p1

SECTION INDEX - ACCESSORIES



**88.000.00 [01]**

p1

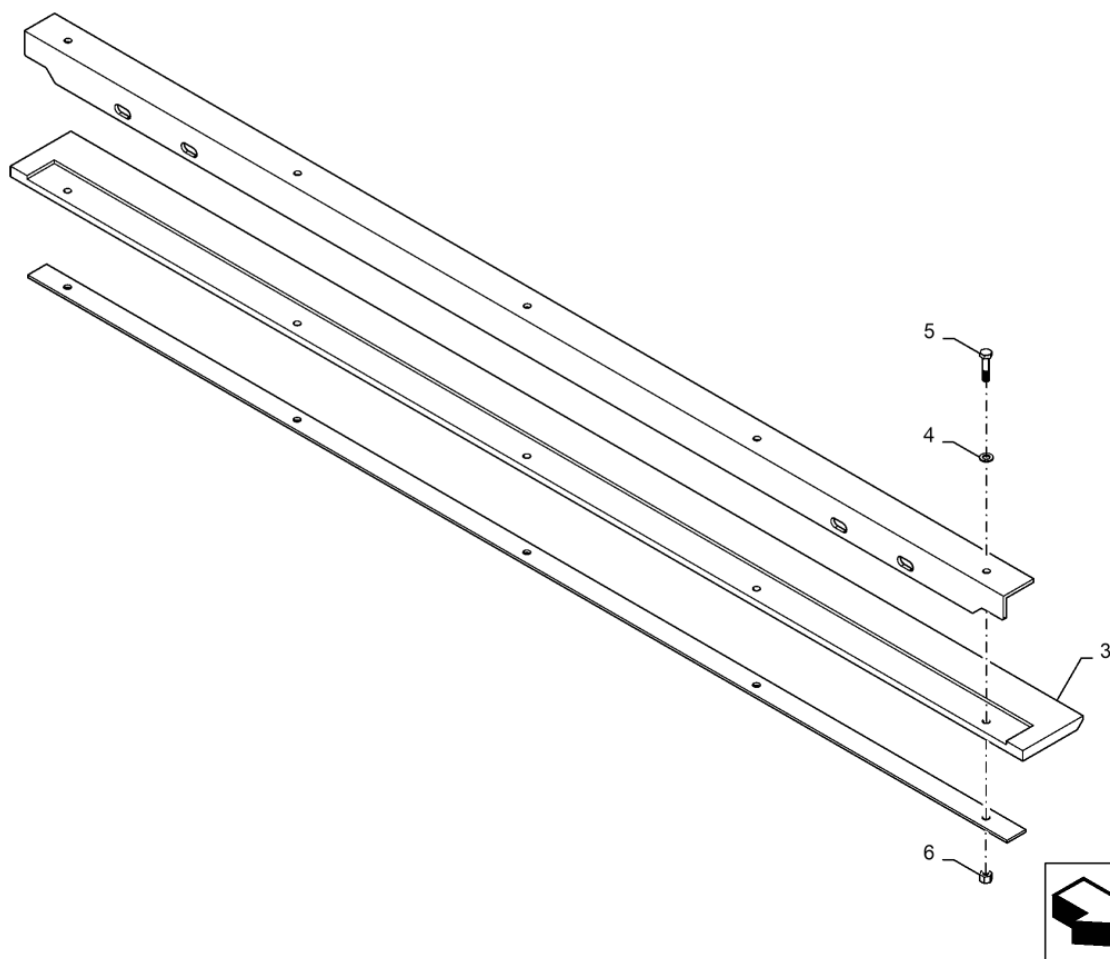
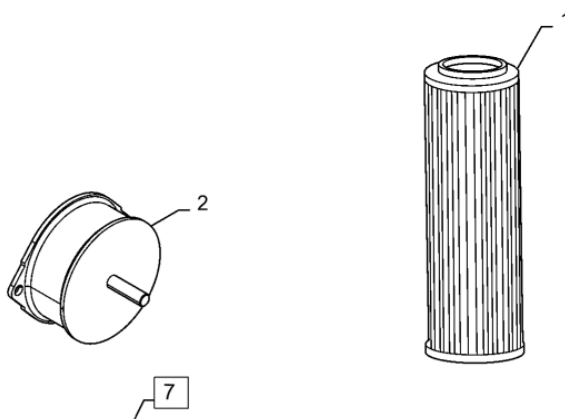
**SECTION INDEX - ACCESSORIES**

REF	FIGURE NUMBER	FIGURE NAME
L01	88.100.39[01]	VAR - 463337, KIT, FOC - 952NX
L01	88.100.AH[01]	TOOLS

88.100.39 [01]

p1

VAR - 463337, KIT, FOC - 952NX



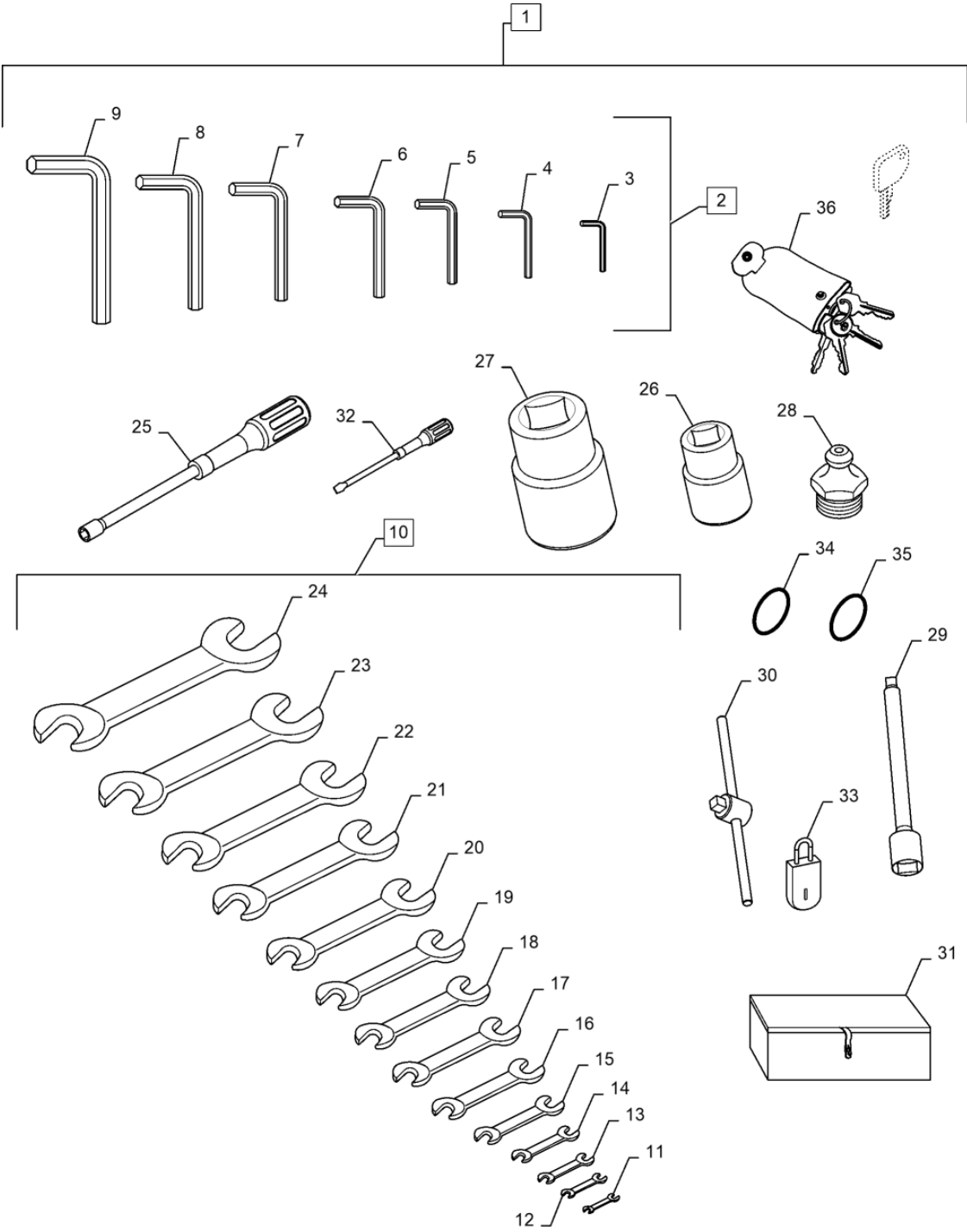
**88.100.39 [01]**

p1

**VAR - 463337, KIT, FOC - 952NX**

REF	PN	QTY	DESCRIPTION	USAGE
1	V204010/60156	1	ELEMENT	
2	51586223	1	MOUNT	Drum
3	51578905	1	SCRAPER BLADE	Plate, Polymer
4	140016	5	WASHER M8 x 16mm OD x 1.6mm Thk	
5	300381	5	BOLT Hex, M8 x 1.25 x 35mm, Cl 8.8, Full Thd	
6	412250	5	LOCK NUT M8 x 1.25, Cl 8	
7	92211821	1	SCRAPER BLADE	Incl 3 - 6

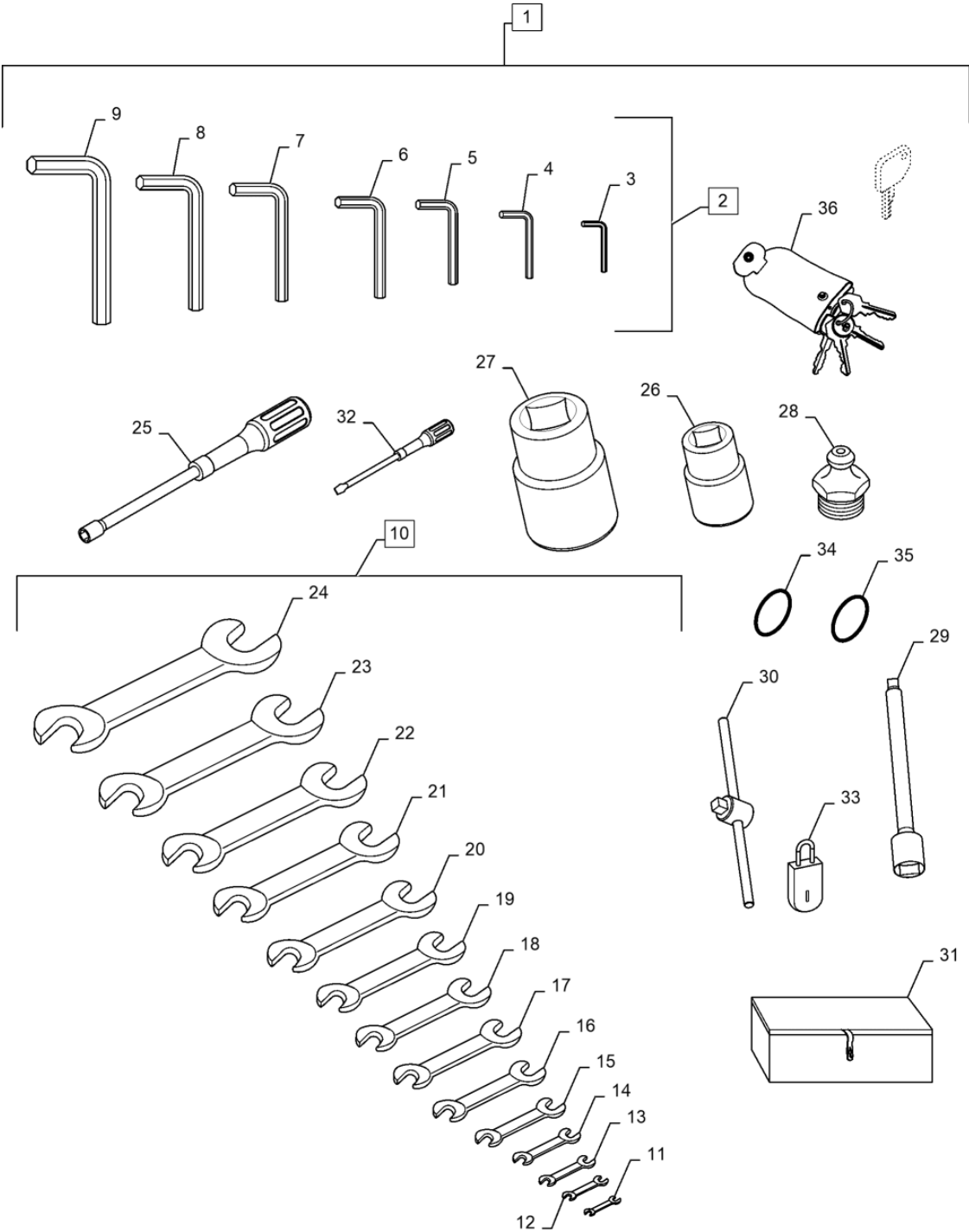
TOOLS



## TOOLS

REF	PN	QTY	DESCRIPTION	USAGE
1	47628197	1	KIT	Tools, Case, Incl 2 - 36
2	NSS	1	NOT SOLD SEPARAT	Set, Allen Keys, Incl 3 - 9, Incl In 1
3	NSS	1	NOT SOLD SEPARAT	Allen Key, Incl In 1
4	NSS	1	NOT SOLD SEPARAT	Allen Key, Incl In 1
5	NSS	1	NOT SOLD SEPARAT	Allen Key, Incl In 1
6	NSS	1	NOT SOLD SEPARAT	Allen Key, Incl In 1
7	NSS	1	NOT SOLD SEPARAT	Allen Key, Incl In 1
8	NSS	1	NOT SOLD SEPARAT	Allen Key, Incl In 1
9	NSS	1	NOT SOLD SEPARAT	Allen Key, Incl In 1
10	NSS	1	NOT SOLD SEPARAT	Set, Spanners, Case, Incl 11 - 24, Incl In 1
11	NSS	1	NOT SOLD SEPARAT	De Spanner, Incl In 1
12	NSS	1	NOT SOLD SEPARAT	De Spanner, Incl In 1
13	NSS	1	NOT SOLD SEPARAT	De Spanner, Incl In 1
14	NSS	1	NOT SOLD SEPARAT	De Spanner, Incl In 1
15	NSS	1	NOT SOLD SEPARAT	De Spanner, Incl In 1
16	NSS	1	NOT SOLD SEPARAT	De Spanner, Incl In 1
17	NSS	1	NOT SOLD SEPARAT	De Spanner, Incl In 1
18	NSS	1	NOT SOLD SEPARAT	De Spanner, Incl In 1
19	NSS	1	NOT SOLD SEPARAT	De Spanner, Incl In 1
20	NSS	1	NOT SOLD SEPARAT	De Spanner, Incl In 1
21	NSS	1	NOT SOLD SEPARAT	De Spanner, Incl In 1
22	NSS	1	NOT SOLD SEPARAT	De Spanner, Incl In 1
23	NSS	1	NOT SOLD SEPARAT	De Spanner, Incl In 1
24	NSS	1	NOT SOLD SEPARAT	De Spanner, Incl In 1
25	NSS	1	NOT SOLD SEPARAT	Drive Socket, Incl In 1
26	NSS	1	NOT SOLD SEPARAT	SOCKET, Incl In 1
27	NSS	1	NOT SOLD SEPARAT	SOCKET, Incl In 1
28	NSS	1	NOT SOLD SEPARAT	Grease Fitting, Incl In 1
29	NSS	1	NOT SOLD SEPARAT	Extension, Incl In 1
30	NSS	1	NOT SOLD SEPARAT	Square Drive, Incl In 1
31	NSS	1	NOT SOLD SEPARAT	Tool Box, Metal, Incl In 1
32	NSS	1	NOT SOLD SEPARAT	Driver, Incl In 1
33	NSS	1	NOT SOLD SEPARAT	Lock, Incl In 1
34	NSS	1	NOT SOLD SEPARAT	O-RING, Incl In 1
35	NSS	1	NOT SOLD SEPARAT	O-RING, Incl In 1

TOOLS



**88.100.AH [01]**

p2

**TOOLS**

REF	PN	QTY	DESCRIPTION	USAGE
36	NSS	1	NOT SOLD SEPARAT	Key Pouch, Incl In 1

---

## SECTION INDEX

### PLATFORM, CAB, BODYWORK AND DECALS

---

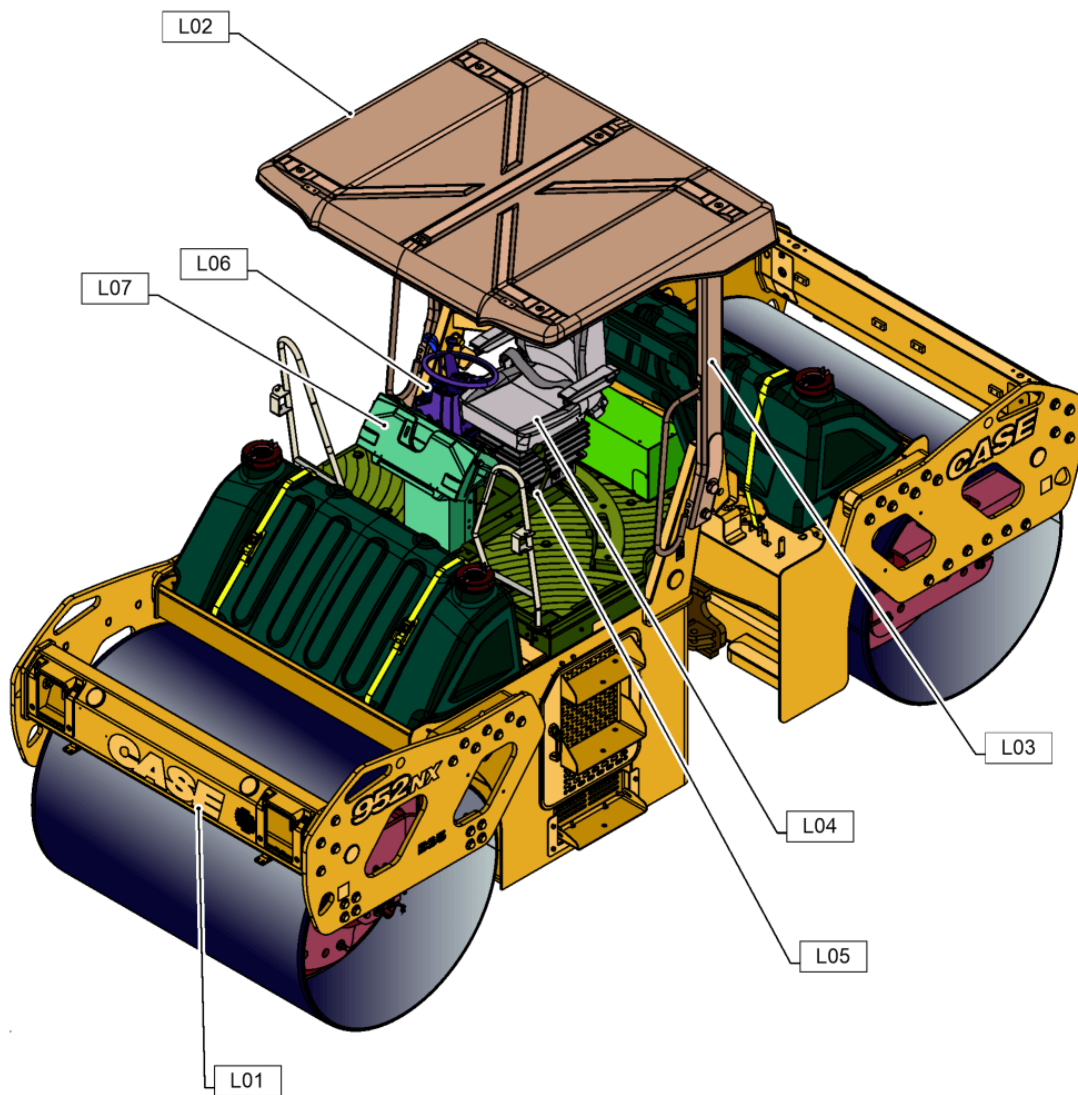
90.000.00 [01]	SECTION INDEX - PLATFORM, CAB, BODYWORK & DECALS
90.108.AC [01]	DECAL, ASSY
90.114.BH [01]	ROOF, ASSEMBLY
90.118.CB [01]	PLATFORM, OPERATOR
90.118.CB [02]	PLATFORM, OPERATOR
90.118.CB [03]	PLATFORM, CANOPY, ASSY
90.120.AD [01]	SEAT, OPERATOR, ROTATING SYSTEM
90.120.AD [02]	SEAT, OPERATOR, ROTATING SYSTEM
90.120.AD [03]	SEAT, OPERATOR
90.120.AD [04]	LOCK, SEAT, ASSEMBLY
90.160.CD [01]	LEVER, CABLE, ASSY, FNR AND
90.160.CD [02]	CONSOLE, GUARD, ASSY, VANDAL



90.000.00 [01]

p1

SECTION INDEX - PLATFORM, CAB, BODYWORK & DECALS



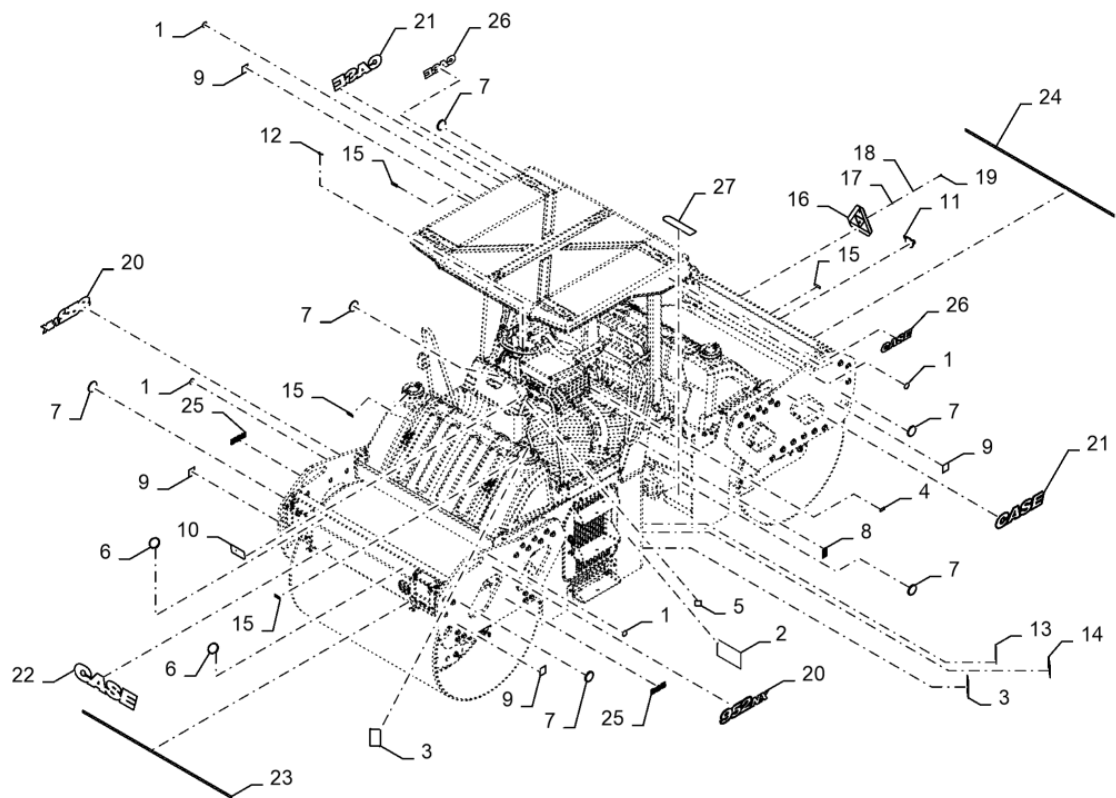
**90.000.00 [01]**

p1

**SECTION INDEX - PLATFORM, CAB, BODYWORK & DECALS**

<b>REF</b>	<b>FIGURE NUMBER</b>	<b>FIGURE NAME</b>
L01	90.108.AC[01]	DECAL, ASSY
L02	90.114.BH[01]	ROOF, ASSEMBLY
L03	90.118.CB[01]	PLATFORM, OPERATOR
L03	90.118.CB[02]	PLATFORM, OPERATOR
L03	90.118.CB[03]	PLATFORM, CANOPY, ASSY
L04	90.120.AD[01]	SEAT, OPERATOR, ROTATING SYSTEM
L04	90.120.AD[02]	SEAT, OPERATOR, ROTATING SYSTEM
L04	90.120.AD[03]	SEAT, OPERATOR
L05	90.120.AD[04]	LOCK, SEAT, ASSEMBLY
L06	90.160.CD[01]	LEVER, CABLE, ASSY, FNR AND
L07	90.160.CD[02]	CONSOLE, GUARD, ASSY, VANDAL

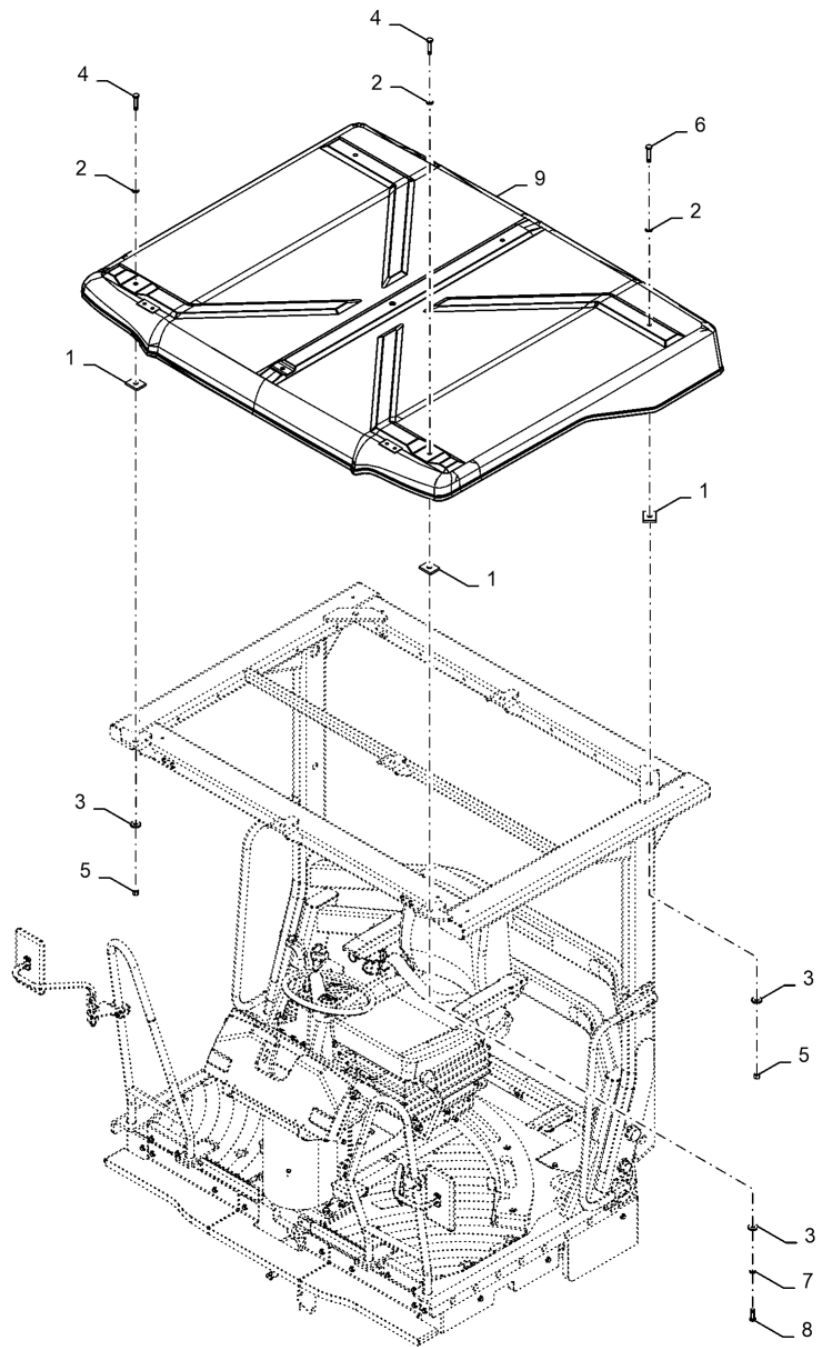
DECAL, ASSY



## DECAL, ASSY

REF	PN	QTY	DESCRIPTION	USAGE
1	85804336	4	DECAL	
2	47617843	1	DECAL	Articulation Lock
3	323695A1	2	CAUTION DECAL	
4	84319035	1	DECAL	Important
5	85804341	1	DECAL	
6	BU3760157	2	REFLECTOR	Reflex White
7	BU3760146	6	REFLECTOR	Reflex Amber
8	84270888	1	DECAL	General
9	84315529	4	DECAL 64mm L x 71mm W	Tie Down
10	48102986	1	DECAL	Toll Free Number
11	91772820	1	EMBLEM	Case Eagle - Adhesive
12	48065443	1	DECAL	Sprinkler
13	332511A1	1	CAUTION DECAL	
14	87581010	1	WARNING DECAL	
15	90401371	4	DECAL	Water
16	51697002	1	WARNING TRIANGLE	Emblem Smv
17	895-11006	2	WASHER 6.6mm ID x 12mm OD x 1.6mm Thk	
18	892-11006	2	LOCK WASHER M6	
19	86977786	2	BOLT Hex, M6 x 1 x 25mm, CI 8.8	
20	92145012	2	DECAL	
21	92139257	2	DECAL	Case Logo
22	47981489	1	DECAL	Case Impact Logo 164Mm Ht
23	90479218	1	REFLECTOR	Wht, Tape
24	90479219	1	REFLECTOR	Red, Tape
25	92133731	2	DECAL	Bs5
26	48017637	2	DECAL	Case Logo Strip
27	92210430	1	ANTI-SKID STRIP	

ROOF, ASSEMBLY



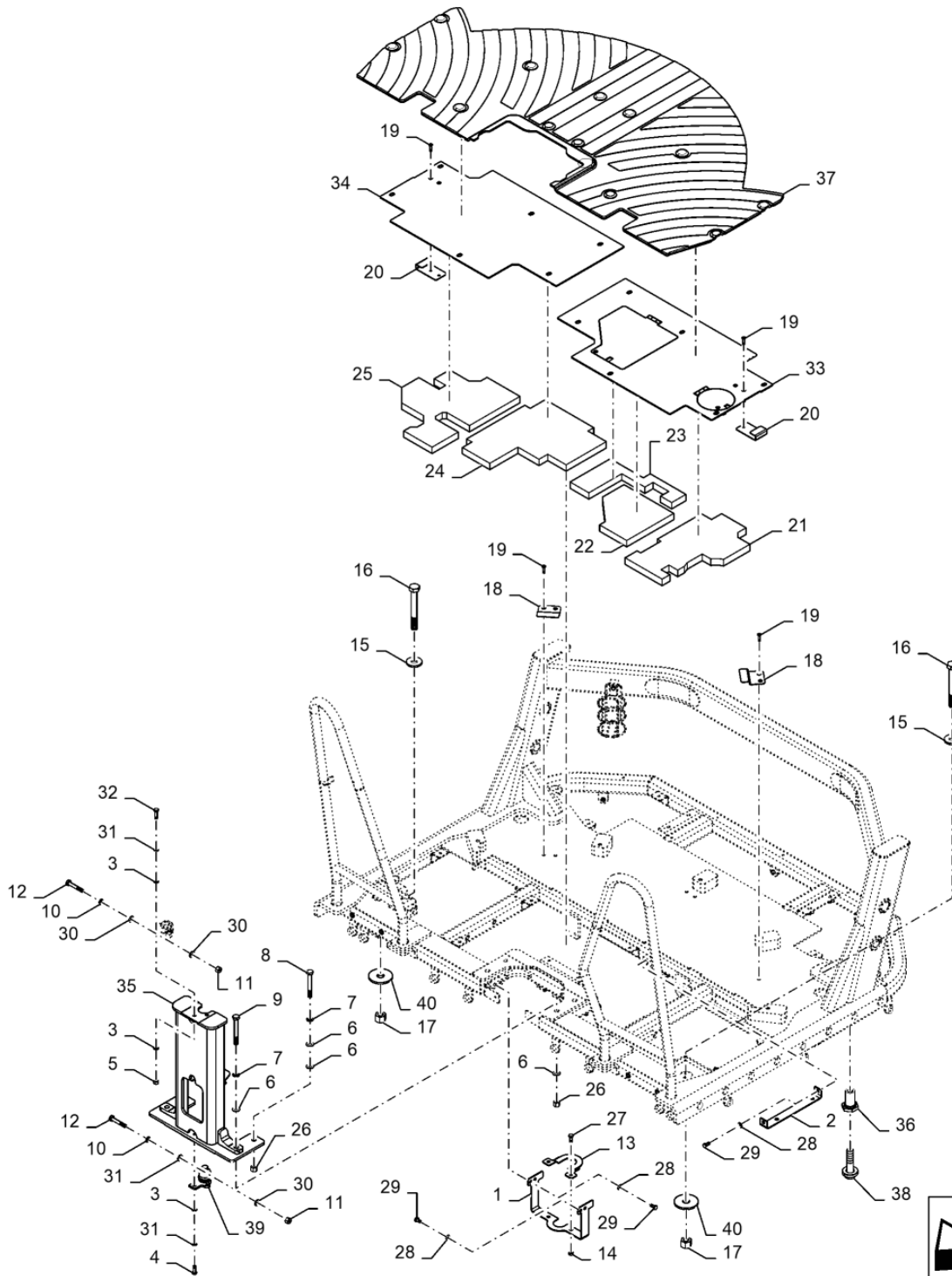
**90.114.BH [01]**

p1

**ROOF, ASSEMBLY**

REF	PN	QTY	DESCRIPTION	USAGE
1	V204029/60273	7	SPACER	
2	895-11012	6	WASHER 13.5mm ID x 24mm OD x 2.5mm Thk, CST, ZND	
3	86592701	7	WASHER 13mm ID x 35mm OD x 5mm Thk, HTS, ZND	
4	87021825	3	BOLT Hex, M12 x 55mm, CI 10.9	
5	832-10412	6	LOCK NUT M12 x 1.75, CI 8	
6	43263	3	BOLT Hex, M12 x 1.75 x 60mm, CI 10.9	
7	892-11012	1	LOCK WASHER M12	
8	337563	1	BOLT Hex, M12 x 1.75 x 40mm, CI 10.9, Full Thd	
9	92210674	1	ROOF	Assy ,Canopy FRP

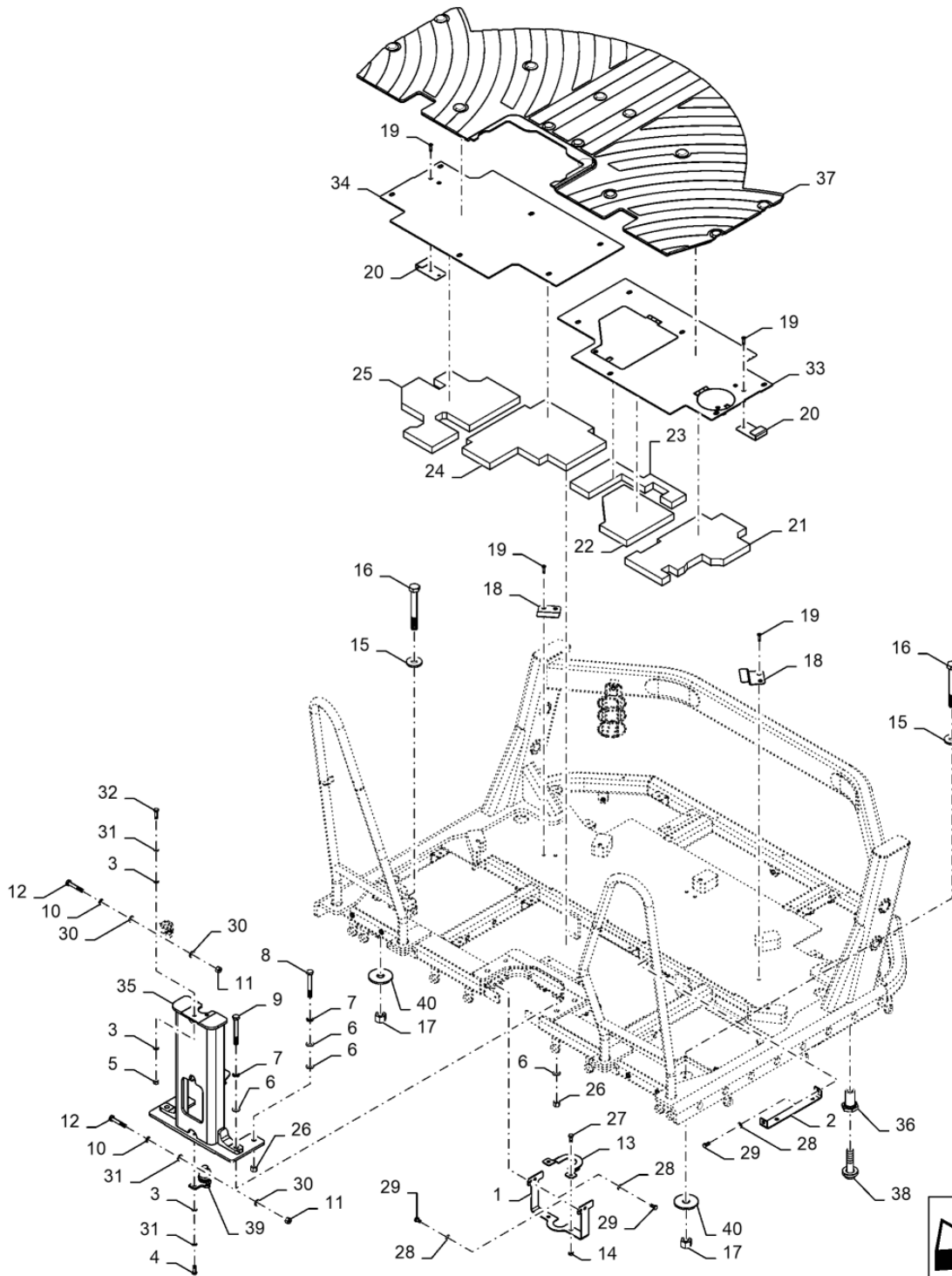
PLATFORM, OPERATOR



## PLATFORM, OPERATOR

REF	PN	QTY	DESCRIPTION	USAGE
1	92181529	1	BRACKET	Cegra, Fnr Cable Clamping
2	92082171	1	BRACKET	Cegra, Hose Clamp
3	895-11008	9	WASHER 9mm ID x 16mm OD x 1.6mm Thk	
4	43127	3	BOLT Hex, M8 x 1.25 x 25mm, CI 8.8, Full Thd	
5	832-10408	3	LOCK NUT M8 x 1.25, CI 8.8	Prev Torque, Replaced By 412250
6	85817623	8	WASHER 12mm ID x 24mm OD x 1.5mm Thk	
7	892-11012	4	LOCK WASHER M12	
8	86508581	2	BOLT Hex, M12 x 1.75 x 90mm, CI 8.8	
9	15541621	2	SCREW Hex, M12 x 1.25 x 100mm, CI 8.8	Bolt, M12X1.25X100 8.8 Znd Din, Do Not U
10	892-11010	2	LOCK WASHER M10	
11	832-10410	2	LOCK NUT M10 x 1.5, CI 8	
12	86508619	2	BOLT Hex, M10 x 1.5 x 60mm, CI 10.9	
13	92181995	1	BRACKET	Cegra, Fnr Cable Clamping
14	825-1408	2	NUT M8, CI 8	
15	V002203/10021	4	WASHER	Hardened 21X50X6 Mm, Znd
16	9849411	4	BOLT Hex, M20 x 2.5 x 150mm, CI 10.9	
17	84010564	4	LOCK NUT Prev Torque, M20 x 2.5 x 23mm, CI 10	Prev Torque, Non-Mtl M20 10 Znd
18	92289569	3	RETAINER	Floor Mat
19	86020047	10	SCREW Phil Oval Hd, Csk, M6 x 25mm, CI 4.8, Full Thd	
20	92289564	2	RETAINER	Floor Mat
21	92291959	1	FOAM	Floor Plate
22	92246543	1	FOAM	Floor Plate
23	92291976	1	FOAM	Floor Plate
24	92291970	1	FOAM	Floor Plate
25	92291947	1	FOAM	Lh, Floor Plate
26	832-10412	4	LOCK NUT M12 x 1.75, CI 8	Prev Torque, Replaced By 87497916
27	120104	12	BOLT Hex, M8 x 1.25 x 20mm, CI 8.8, Full Thd	

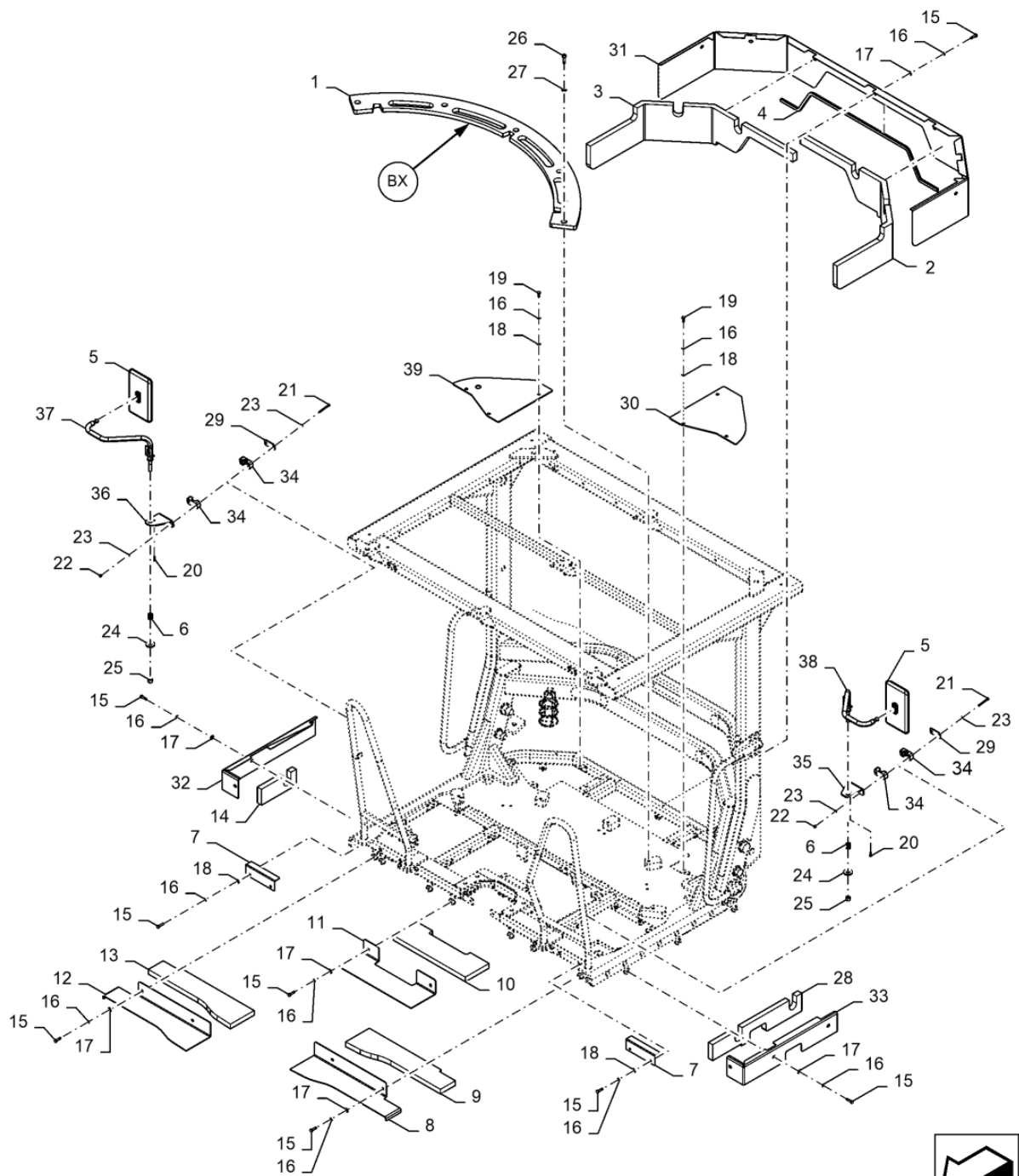
PLATFORM, OPERATOR



## PLATFORM, OPERATOR

REF	PN	QTY	DESCRIPTION	USAGE
28	14496521	18	WASHER 8.4mm ID x 17mm OD x 1.6mm Thk	
29	120103	6	BOLT M8 x 1.25 x 16mm, Cl 8.8	M8X16 Full 8.8 Znd
30	P00034611V	9	WASHER	10.5X21X2 Stl
31	892-11008	20	LOCK WASHER 8mm ID	
32	43128	6	BOLT Hex, M8 x 1.25 x 30mm, Cl 8.8, Full Thd	
33	92287187	1	PLATE	Cegra, Floor, Front Lh
34	92287192	1	PLATE	Cegra, Floor, Front Rh
35	92073083	1	BRACKET	Cegra, Support Frame Assy Seat
36	92295370	2	NUT	Stopper M20X2.5
37	92289347	1	FLOOR MAT	Assembly Front
38	92280304	2	STUD	Weld, Assy
39	92047749	2	BALL JOINT	
40	48125154	2	SPACER	AVM MTG

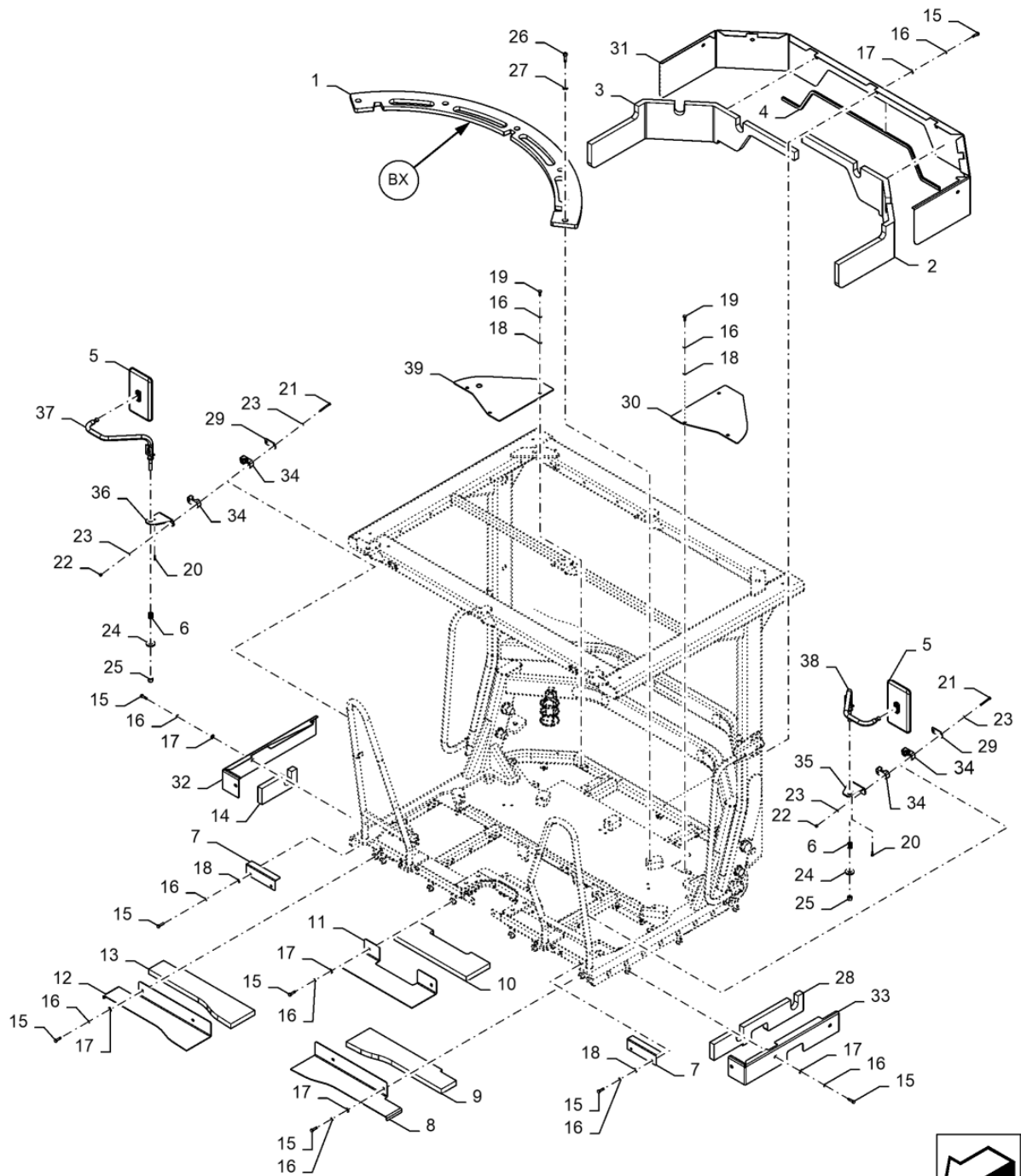
PLATFORM, OPERATOR



## PLATFORM, OPERATOR

REF	PN	QTY	DESCRIPTION	USAGE
1	92203197	1	PLATE	Seat Sliding
2	92291872	1	FOAM	Rear Skirt, Lh
3	92291874	1	FOAM	Rear Skirt, Rh
4	BU4140001	1	GASKET	Beading (Gold Seal 255Psc)
5	90399562	2	MIRROR	Rear View
6	BU0270185	2	SPRING	Mirror
7	92289553	2	RETAINER	Lh, Floormat
8	92084639	1	DEFLECTOR	Cegra, Side Lh
9	92246538	1	FOAM	Deflector, Lh
10	92246539	1	FOAM	Deflector, Center
11	92075669	1	DEFLECTOR	Cegra, Middle
12	92084640	1	DEFLECTOR	Cegra, Side Rh
13	92251020	1	FOAM	Deflector, Rh
14	92291958	1	FOAM	Rh Skirt
15	43128	20	BOLT Hex, M8 x 1.25 x 30mm, CI 8.8, Full Thd	
16	892-11008	27	LOCK WASHER 8mm ID	
17	86625263	19	WASHER 9mm ID x 20mm OD x 1.6mm Thk, CST, ZND	
18	14496521	10	WASHER 8.4mm ID x 17mm OD x 1.6mm Thk	
19	120104	8	BOLT Hex, M8 x 1.25 x 20mm, CI 8.8, Full Thd	
20	10902321	2	SCREW Hex, M6 x 1 x 18mm, CI 8.8, Full Thd	Bolt, M6X18 Full 8.8 Znd
21	338413	4	BOLT Hex, M6 x 1 x 60mm, CI 8.8	
22	393392	4	LOCK NUT Prev Torque, M6 x 1, CI 8	Prev Torque, Non-Mtl M6 8 Znd
23	895-11006	8	WASHER 6.6mm ID x 12mm OD x 1.6mm Thk	
24	47558947	2	WASHER	
25	832-10412	2	LOCK NUT M12 x 1.75, CI 8	
26	14420374	5	HEX SOC SCREW M10 x 35mm, CI 12.9	
27	P00034611V	9	WASHER	
28	92246531	1	FOAM	Lh Skirt
29	92279610	2	PLATE	Cegra, Clamp Guid
30	92291392	1	PLATE	Lh, Floor Rear Cegra

PLATFORM, OPERATOR



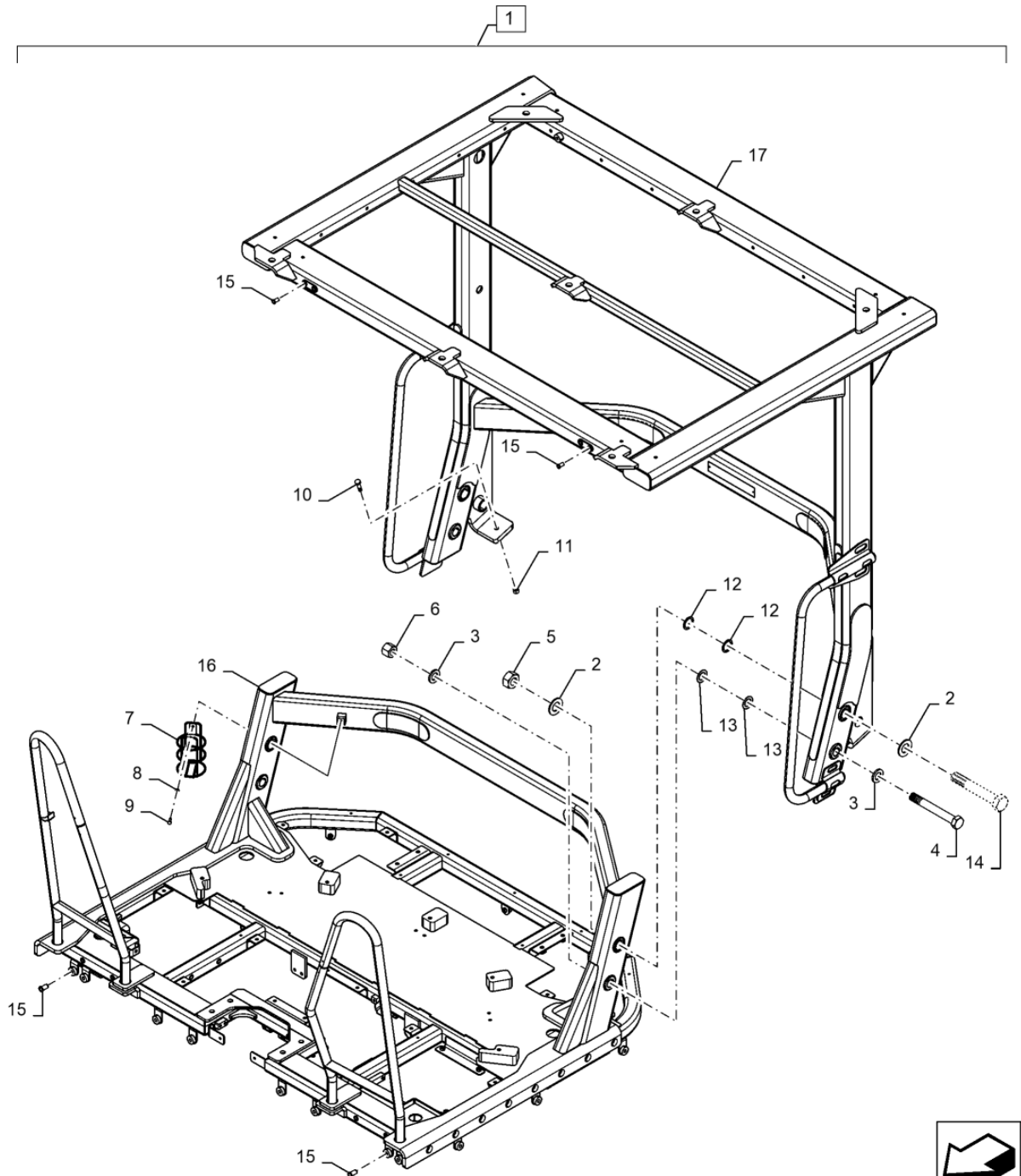
**PLATFORM, OPERATOR**

REF	PN	QTY	DESCRIPTION	USAGE
31	92280296	1	COVER	Rr, Plate Skirt-Cegra
32	92175618	1	COVER	Cegra, Rh, Plate Skirt
33	92175818	1	COVER	Lh, Plate Skirt Cegra
34	92279518	4	PIPE	Clamp
35	92279544	1	BRACKET	Cegra, Lh, Mirror Mounting
36	92279519	1	BRACKET	Cegra, Rh, Mirror Mounting
37	92268367	1	ROD	Cegra, Mirror- Rh
38	92268344	1	ROD	Cegra, Mirror- Lh
39	92660283	1	PLATE	Rh, Floor Rear Cegra

90.118.CB [03]

p1

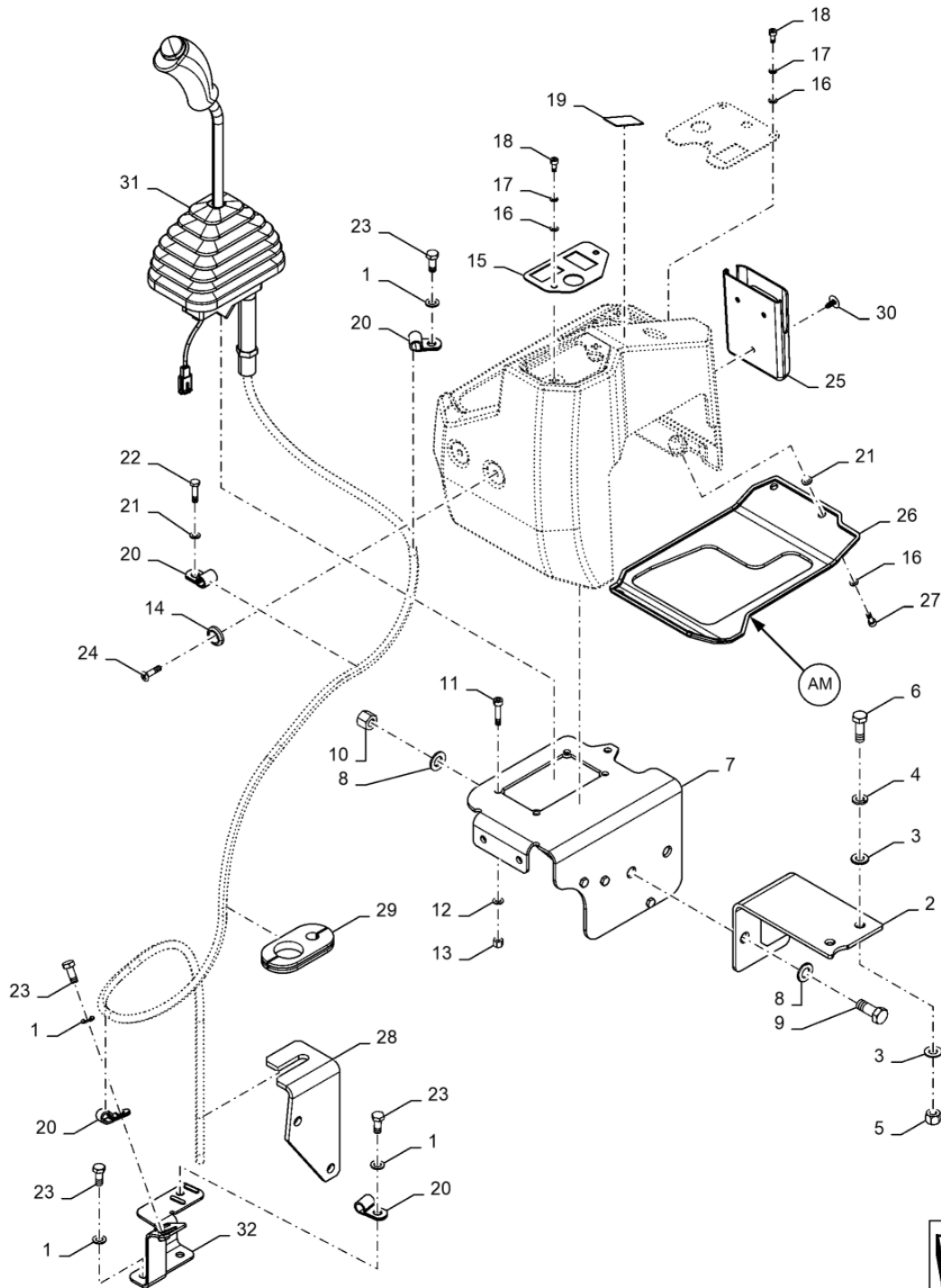
PLATFORM, CANOPY, ASSY



## PLATFORM, CANOPY, ASSY

REF	PN	QTY	DESCRIPTION	USAGE
1	92291062	1	CANOPY	Platform, Assy Incl 2 -17
2	86511329	4	WASHER 31mm ID x 56mm OD x 4mm Thk, CST, ZND	
3	87016608	4	WASHER 25.8mm ID x 44.5mm OD x 5mm Thk, HTS, ZND	
4	73187325	2	BOLT Hex, M24 x 3 x 190mm, CI 10.9	
5	76040496	2	NUT	Prev Torque, Non-Mtl M30 10 Znd
6	76040495	2	LOCK NUT M24 x 3	Prev Torque, Non-Mtl M24 10 Znd
7	BU0173196	1	BOTTLE	Holder
8	895-11006	1	WASHER 6.6mm ID x 12mm OD x 1.6mm Thk	
9	10902421	1	SCREW Hex, M6 x 20mm, CI 8.8	Bolt, Replaced By 120100
10	91715749	2	CAB	Stopper Door
11	832-10410	2	LOCK NUT M10 x 1.5, CI 8	Prev Torque
12	92119008	4	SHIM	
13	92287890	4	SHIM	1 MM
14	92117062	2	BOLT	M30X190 10.9 ZND
15	47546625	16	INSERT	Threaded, (M8 Small)
16	92305196	1	PLATFORM	
17	92284367	1	CANOPY	

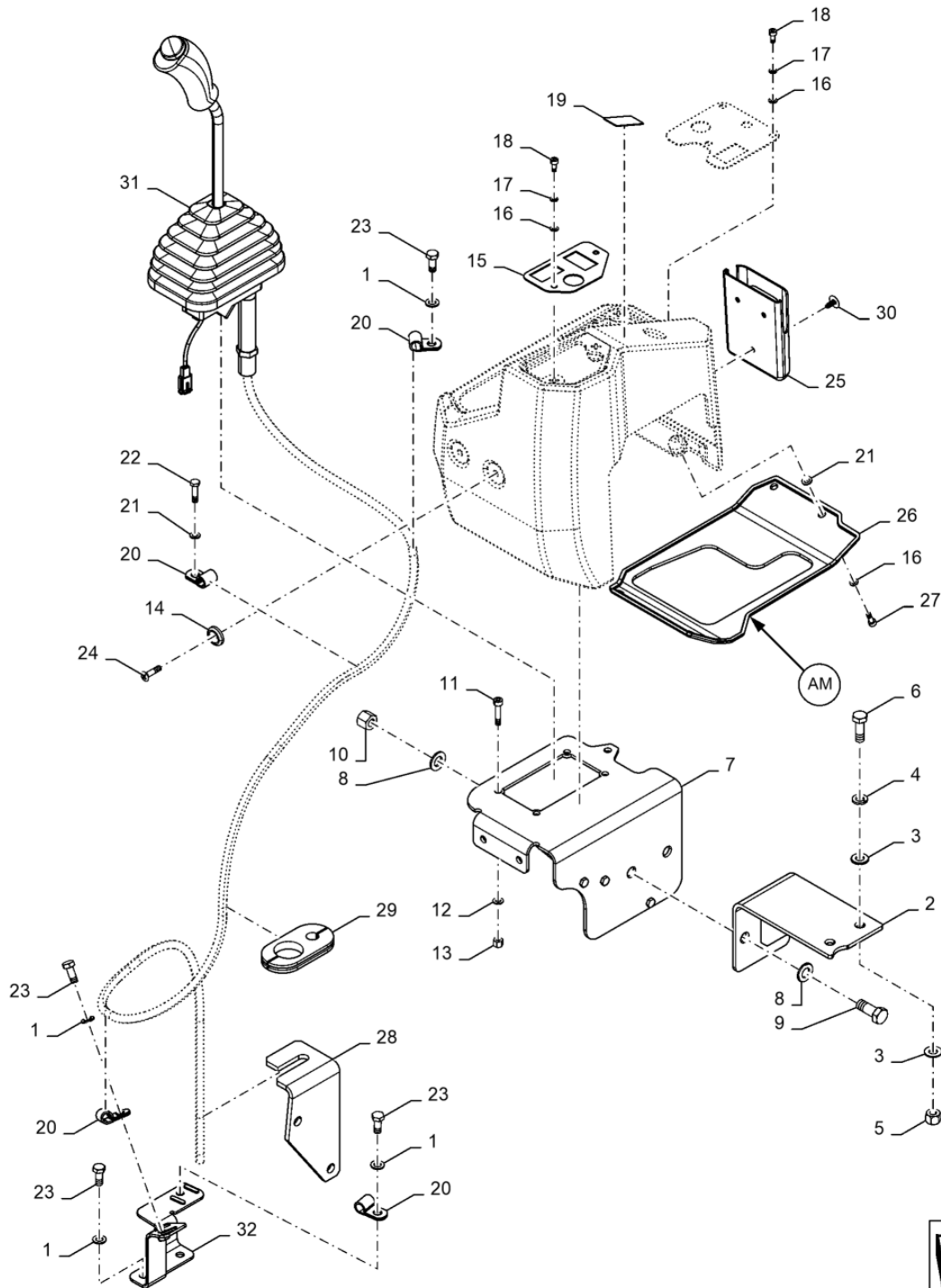
SEAT, OPERATOR, ROTATING SYSTEM



## SEAT, OPERATOR, ROTATING SYSTEM

REF	PN	QTY	DESCRIPTION	USAGE
1	895-11008	5	WASHER 9mm ID x 16mm OD x 1.6mm Thk	
2	92158053	1	BRACKET	Cegra, Fnr Mtg
3	P00034611V	4	WASHER	
4	892-11010	2	LOCK WASHER M10	
5	832-10410	2	LOCK NUT M10 x 1.5, CI 8	
6	43140	2	BOLT Hex, M10 x 1.5 x 30mm, CI 8.8, Full Thd	
7	92044939	1	BRACKET	Cegra, Fnr Mtg. 952
8	P00034613X	4	WASHER	
9	43260	2	BOLT Hex, M12 x 1.75 x 30mm, CI 10.9, Full Thd	
10	832-10412	2	LOCK NUT M12 x 1.75, CI 8	
11	14305574	4	HEX SOC SCREW M6 x 30mm, CI 12.9	
12	P00034607R	4	WASHER	
13	393392	4	LOCK NUT Prev Torque, M6 x 1, CI 8	
14	79089592	3	WASHER 6mm ID x 24mm OD x 5mm Thk	
15	92073870	1	PLATE	Blk, Primary Controls Mtg
16	895-11005	9	WASHER 5.5mm ID x 10mm OD x 1mm Thk	
17	892-11005	5	LOCK WASHER M5	
18	86625213	5	HEX SOC SCREW M5 x 12mm, CI 8.8	
19	47679120	1	DECAL	Fnr
20	87028524	4	CLAMP 11.1mm, Coat, 10.3mm Bolt Hole, P Type	
21	86588450	5	WASHER 6.6mm ID x 12mm OD x 1.6mm Thk	
22	86977786	1	BOLT Hex, M6 x 1 x 25mm, CI 8.8	
23	120104	5	BOLT Hex, M8 x 1.25 x 20mm, CI 8.8, Full Thd	
24	86020047	3	SCREW Phil Oval Hd, Csk, M6 x 25mm, CI 4.8, Full Thd	Ovl C C/R M6X25 4.8 Bzn
25	92160708	1	HOLDER	Mobile
26	92074770	1	LID	Side Console, Fnr

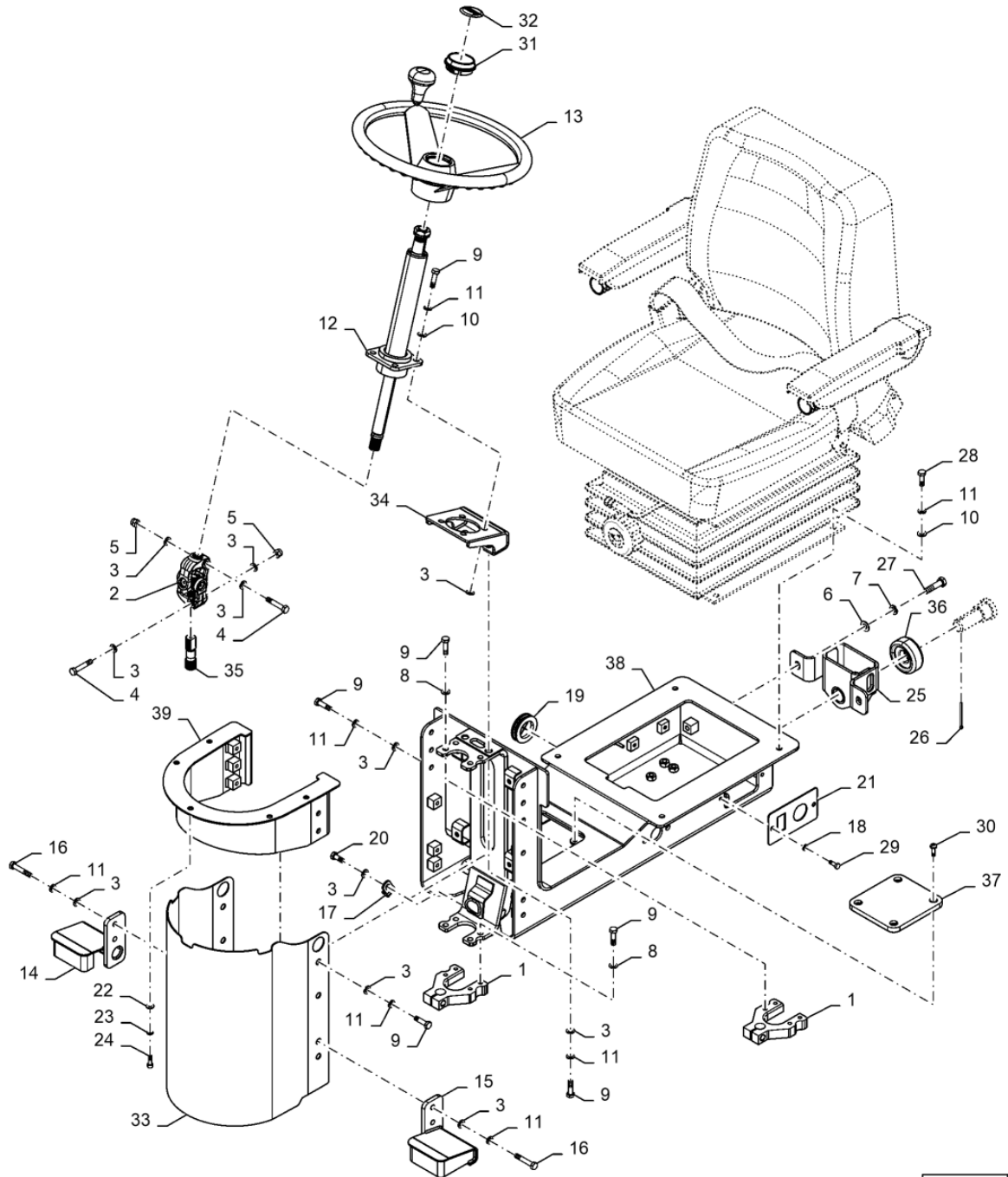
SEAT, OPERATOR, ROTATING SYSTEM



**SEAT, OPERATOR, ROTATING SYSTEM**

REF	PN	QTY	DESCRIPTION	USAGE
27	864-5016	4	HEX SOC SCREW M5 x 16mm, CI 8.8	
28	V204010/41116	1	BRACKET	
29	92115415	1	GROMMET	Fnr Cable
30	92162146	3	FASTENER	M5, Plastic Black
31	92044906	1	LEVER	Fnr And Cable Assy
32	92065592	1	BRACKET	Cegra, Fnr Routing

SEAT, OPERATOR, ROTATING SYSTEM



## SEAT, OPERATOR, ROTATING SYSTEM

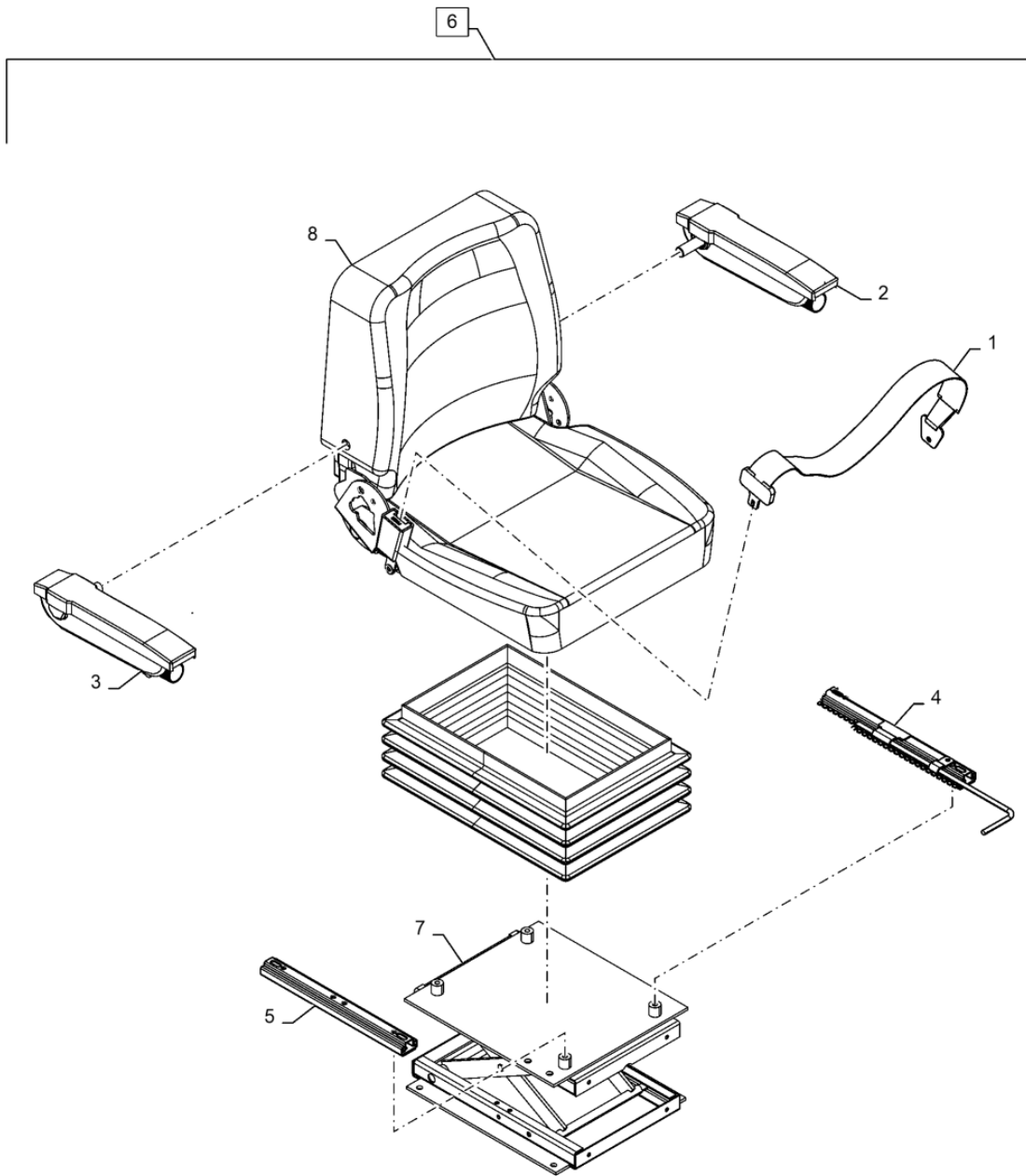
REF	PN	QTY	DESCRIPTION	USAGE
1	92091477	2	BRACKET	Bracket Cegra, Ball Joint Mounting Botto
2	V204029/60121	1	UNIVERSAL JOINT	
3	895-11008	23	WASHER 9mm ID x 16mm OD x 1.6mm Thk	
4	90435213	2	BOLT	
5	16104121	12	LOCK NUT M8 x 1.25, CI 10	Nut, Prev Torque, Non-Mtl M8 10 Znd
6	P00034611V	2	WASHER	
7	892-11010	2	LOCK WASHER M10	
8	11193879	8	WASHER M8 Bolt Size x 16mm OD x 1.4mm Thk	
9	43128	22	BOLT Hex, M8 x 1.25 x 30mm, CI 8.8, Full Thd	
10	14496521	8	WASHER 8.4mm ID x 17mm OD x 1.6mm Thk	
11	892-11008	22	LOCK WASHER 8mm ID	
12	92047616	1	STEERING COLUMN 20	Assy
13	92053266	1	STEERING WHEEL	Assy
14	92083903	1	FOOTREST	Cegra, Rh
15	92083908	1	FOOTREST	Cegra, Lh
16	386045	4	BOLT Hex, M8 x 1.25 x 45mm, CI 8.8	
17	87028524	1	CLAMP 11.1mm, Coat, 10.3mm Bolt Hole, P Type	Closed 11.1Mm Insul 3/8 Bolt
18	86588450	2	WASHER 6.6mm ID x 12mm OD x 1.6mm Thk	
19	BU4130054	1	GROMMET	Cab, Tb80
20	120104	1	BOLT Hex, M8 x 1.25 x 20mm, CI 8.8, Full Thd	
21	92072380	1	PLATE	Cegra, Pcu Switch And Connector Mt
22	47513820	5	WASHER 6.4mm ID x 15mm OD x 1.5mm Thk, CST, BZN	
23	892-11006	5	LOCK WASHER M6	
24	14305374	5	HEX SOC SCREW M6 x 20mm, CI 12.9, Full Thd	
25	92080891	1	PLATE	Cegra, Support Bearing Machining
26	V207010/60040	1	COTTER PIN	
27	120068	2	BOLT Hex, M10 x 1.5 x 40mm, CI 8.8	



## SEAT, OPERATOR, ROTATING SYSTEM

REF	PN	QTY	DESCRIPTION	USAGE
28	43127	4	BOLT Hex, M8 x 1.25 x 25mm, Cl 8.8, Full Thd	
29	10902321	2	SCREW Hex, M6 x 1 x 18mm, Cl 8.8, Full Thd	
30	239105A1	4	SCREW Cross Pan Hd, M6 x 20mm	
31	47641399	1	CAP	
32	84528567	1	DECAL	Decal, Case Stg Whl 44 Mm
33	92053918	1	COVER	Rotating System-Cegra
34	92213959	1	BRACKET	Cegra, Steering Column Mtg
35	92073523	1	PIN	
36	92047750	1	BALL BEARING	
37	92066812	1	COVER	Telematic - Black
38	92053937	1	FRAME	CEGRA, Seat
39	92071674	1	BRACKET	CEGRA, Console MTG

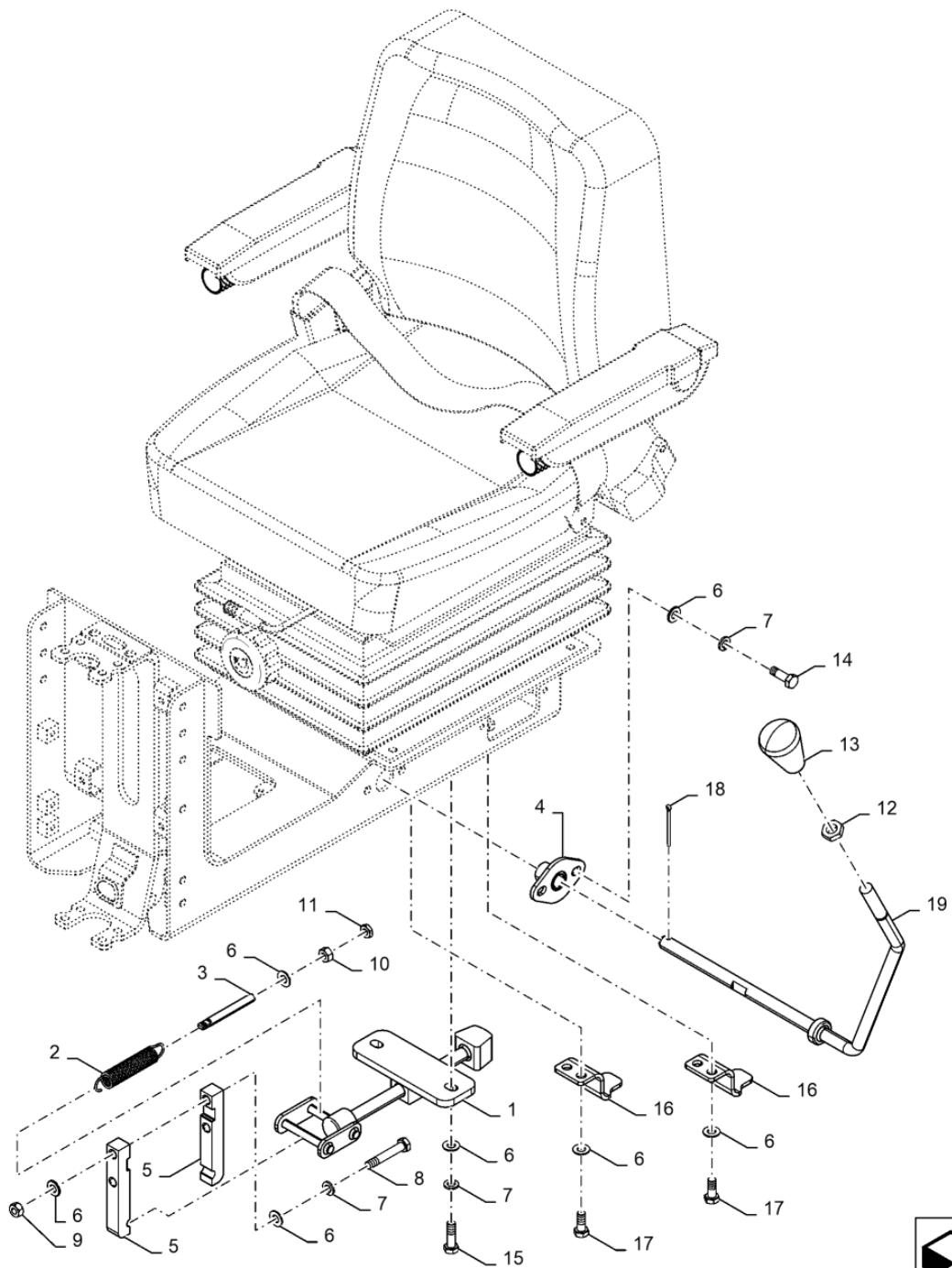
SEAT, OPERATOR



## SEAT, OPERATOR

REF	PN	QTY	DESCRIPTION	USAGE
1	92647914	1	SEAT BELT	Assy, (Seat Belt & Buckle)
2	92662132	1	ARMREST	Assy, LH
3	92662133	1	ARMREST	Assy, RH
4	90342742	1	CHANNEL	Assy, Sliding LH
5	90342744	1	CHANNEL	Assy, Sliding RH
6	91902046	1	DRIVER SEAT 14	
7	92034171	1	SUSPENSION 16	Assy
8	92034178	1	FRAME 30	Assy, Seat (Back & Base)

LOCK, SEAT, ASSEMBLY



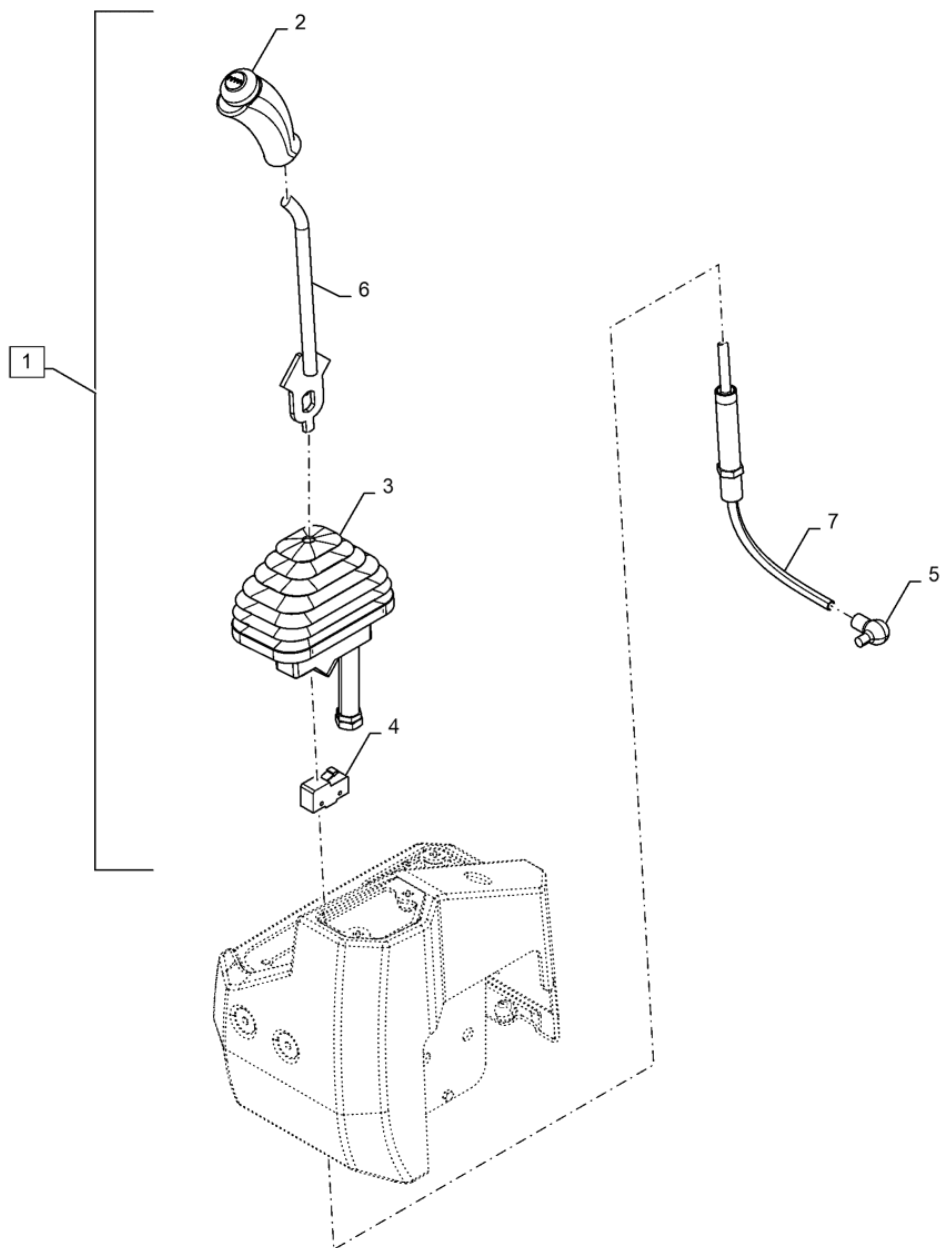
## LOCK, SEAT, ASSEMBLY

REF	PN	QTY	DESCRIPTION	USAGE
1	92085820	1	BRACKET	Wa, Seat Lock Mounting
2	5153180	1	SPRING 21mm OD x 84mm L	Extension, 21X16X84
3	92085823	1	ROD	
4	92085826	1	BRACKET	Wa, Lever Hinge
5	92085832	2	PLATE	Lock Lever Machining
6	P00034611V	13	WASHER	
7	892-11010	6	LOCK WASHER M10	
8	120070	2	BOLT Hex, M10 x 1.5 x 60mm, CI 8.8	
9	825-1410	2	NUT M10, CI 8	
10	86500689	1	NUT NUT M10 10 ZND	
11	84221258	1	THIN NUT Hex, M10 x 1.5, CI 10, ZND	
12	10791411	1	THIN NUT Hex, M16 x 1.5, CI 8, ZND	
13	BU2990023	1	KNOB	
14	43140	2	BOLT Hex, M10 x 1.5 x 30mm, CI 8.8, Full Thd	
15	9706704	2	BOLT Hex, M10 x 1.5 x 35mm, CI 8.8, Full Thd	
16	92071656	2	BRACKET	Cegra, Seat Locking
17	43139	4	BOLT M10 x 1.5, 25mm L CI8.8 Full Thread	
18	V207010/60040	1	COTTER PIN	
19	92085831	1	ROD	Wa, Lock Lever

90.160.CD [01]

p1

LEVER, CABLE, ASSY, FNR AND



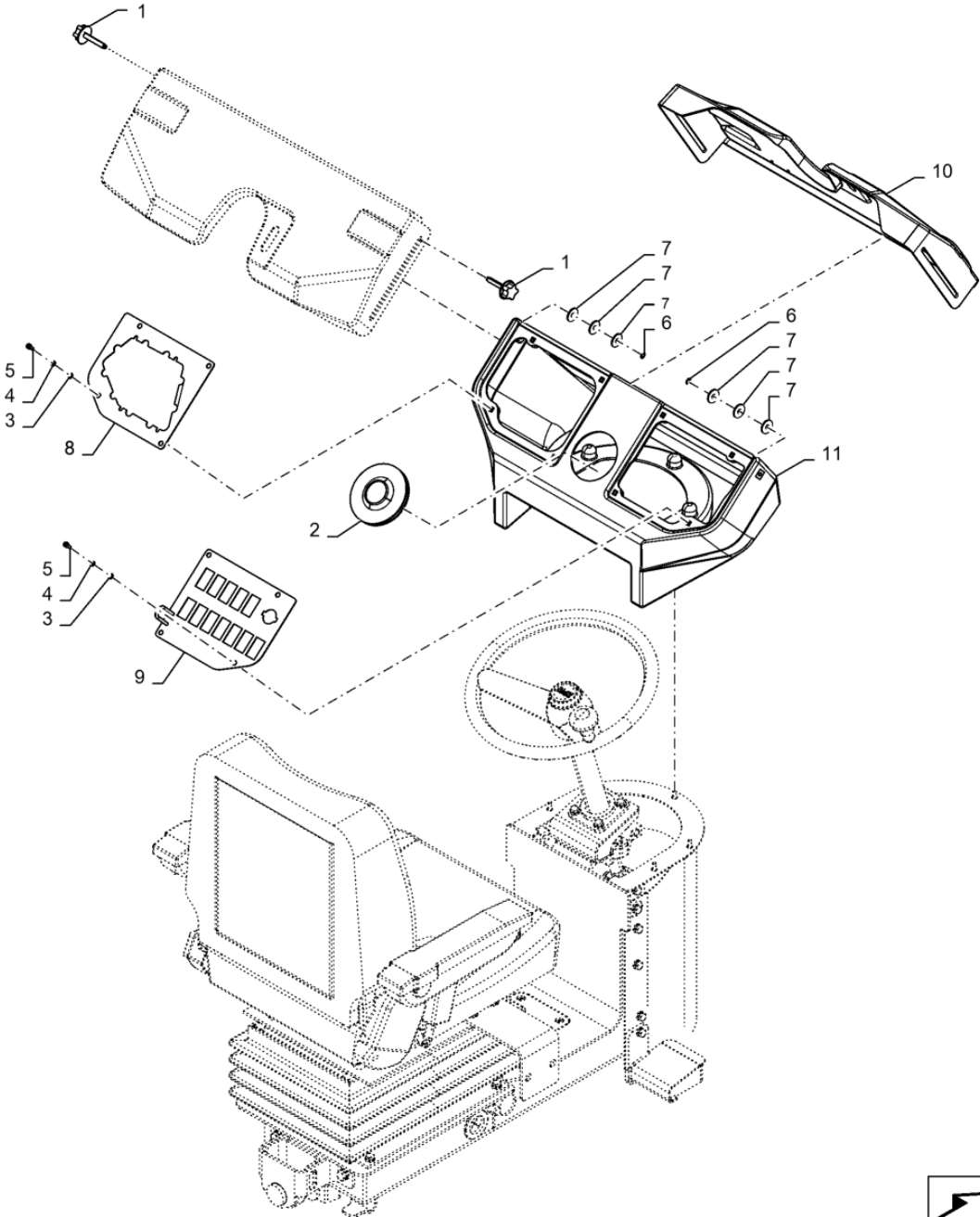
**90.160.CD [01]**

p1

**LEVER, CABLE, ASSY, FNR AND**

REF	PN	QTY	DESCRIPTION	USAGE
1	92044906	1	LEVER	Incl 2 - 7
2	51435084	1	PUSH BUTTON SWITCH	Knob Assy
3	47878841	1	BELLOWS	Fnr-1107Dx
4	47724350	1	MECHANICAL SWITCH	Backup Alarm
5	47878842	1	JOINT	
6	92060984	1	CABLE	Assy, Fnr
7	92069508	1	LEVER	Assy, Fnr

CONSOLE, GUARD, ASSY, VANDAL



**90.160.CD [02]**

p1

**CONSOLE, GUARD, ASSY, VANDAL**

REF	PN	QTY	DESCRIPTION	USAGE
1	92199352	2	KNOB	Assy, W/Pin
2	47914988	1	BOOT	Steering Column
3	895-11005	8	WASHER 5.5mm ID x 10mm OD x 1mm Thk	
4	892-11005	8	LOCK WASHER M5	
5	86625213	8	HEX SOC SCREW M5 x 12mm, Cl 8.8	
6	11087776	2	E-RING M6, Ext, BLO	E-Ring, 6 4.07X6X0.72 Blo
7	12647029	6	WASHER 8.15mm ID x 25mm OD x 2.5mm Thk, R80, BZN	
8	92197542	1	PLATE	Lh, Switch Mounting-Blk
9	92215781	1	PLATE	Rh Switch Mounting
10	92197536	1	GUARD	Vandal
11	92197532	1	CONSOLE	Front Assembly